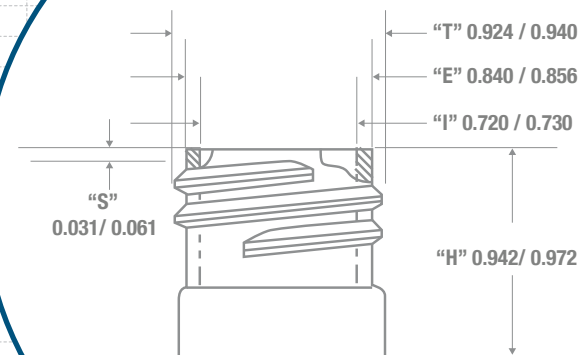
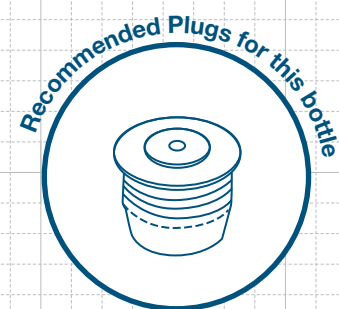
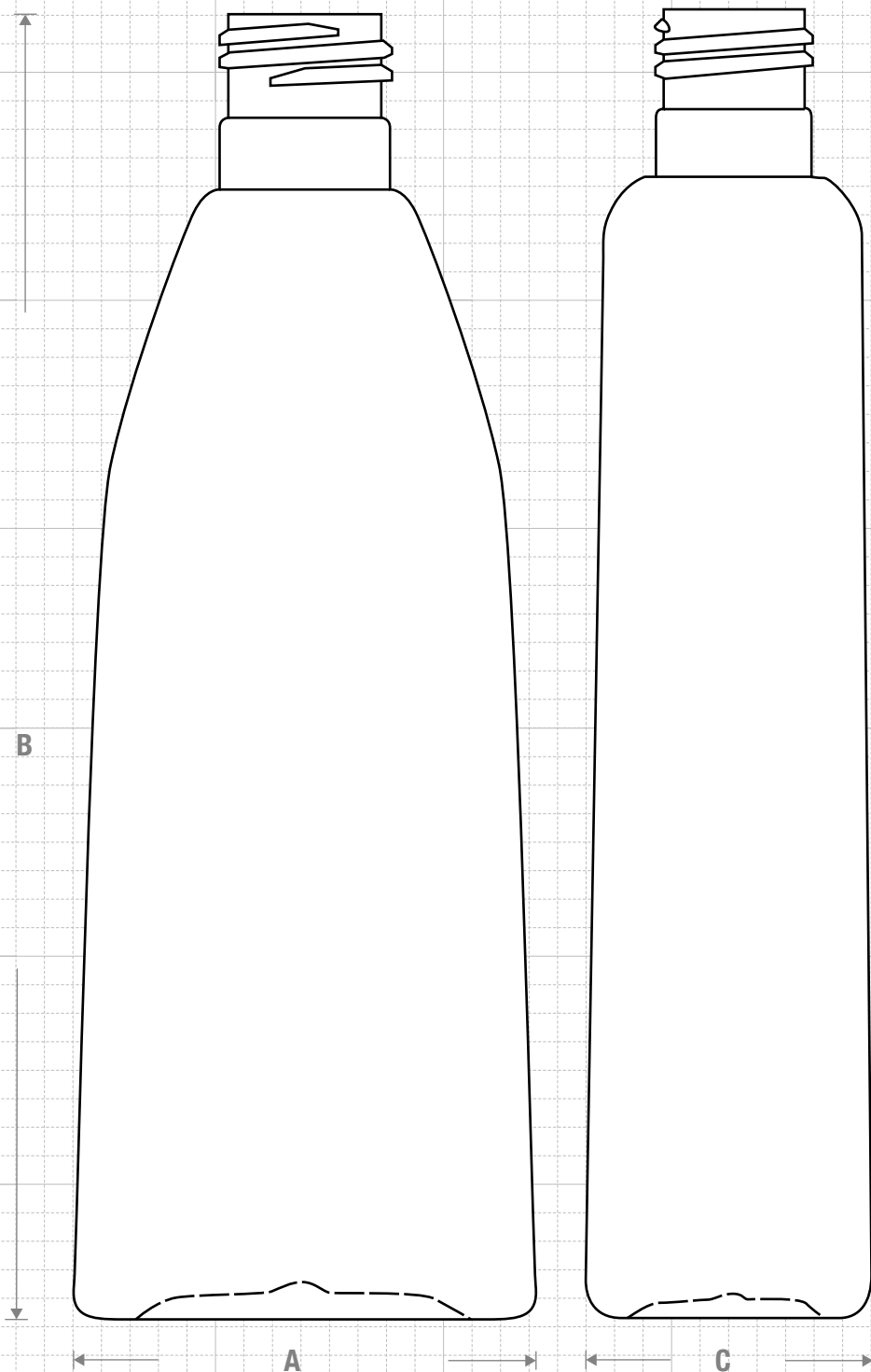


NECK & THREAD DETAIL

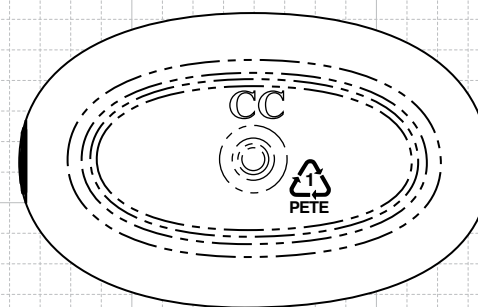


FRONT VIEW

SIDE VIEW



FRICTION FIT



BOTTOM VIEW



CLASSIC CONTAINERS INC
 1700 S. Hellman Ave.
 Ontario, CA 91761
 Phone: 909-930-3610
 e-mail: info@classiccontainers.com
 www.classiccontainers.com

Drawing:
8 oz Teardrop 24/415

Gram Weight:
23 ± 1

Max Print Area (Height):
4.900"

Cases Per Pallet: **16**

Stock Code:
000800350251700

Neck Finish:
24/415

Max Print Area (Width):
 Shoulder: **1.000"** Base: **1.650"**

Box Dimensions:
24 7/16 x 18 1/2 x 23

Manufacturing Process:
Stretch Blow Molding

Base Width (A) Base Deep (C):
2.450± 0.050 1.580± 0.050

Case Pack: **351**

Stock Material:



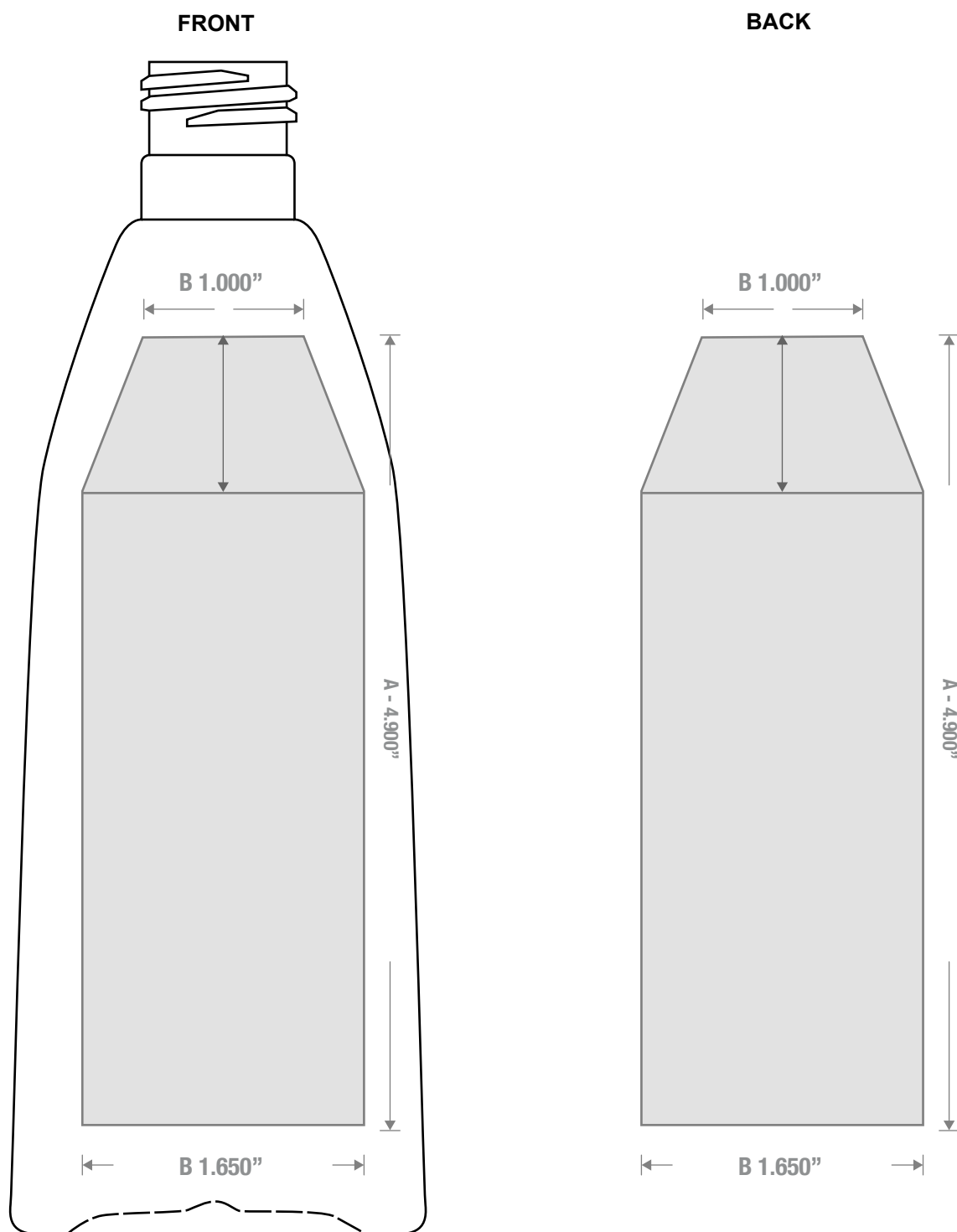
Overflow Capacity:
248 - 266 ml (8.4 - 9.0 oz)

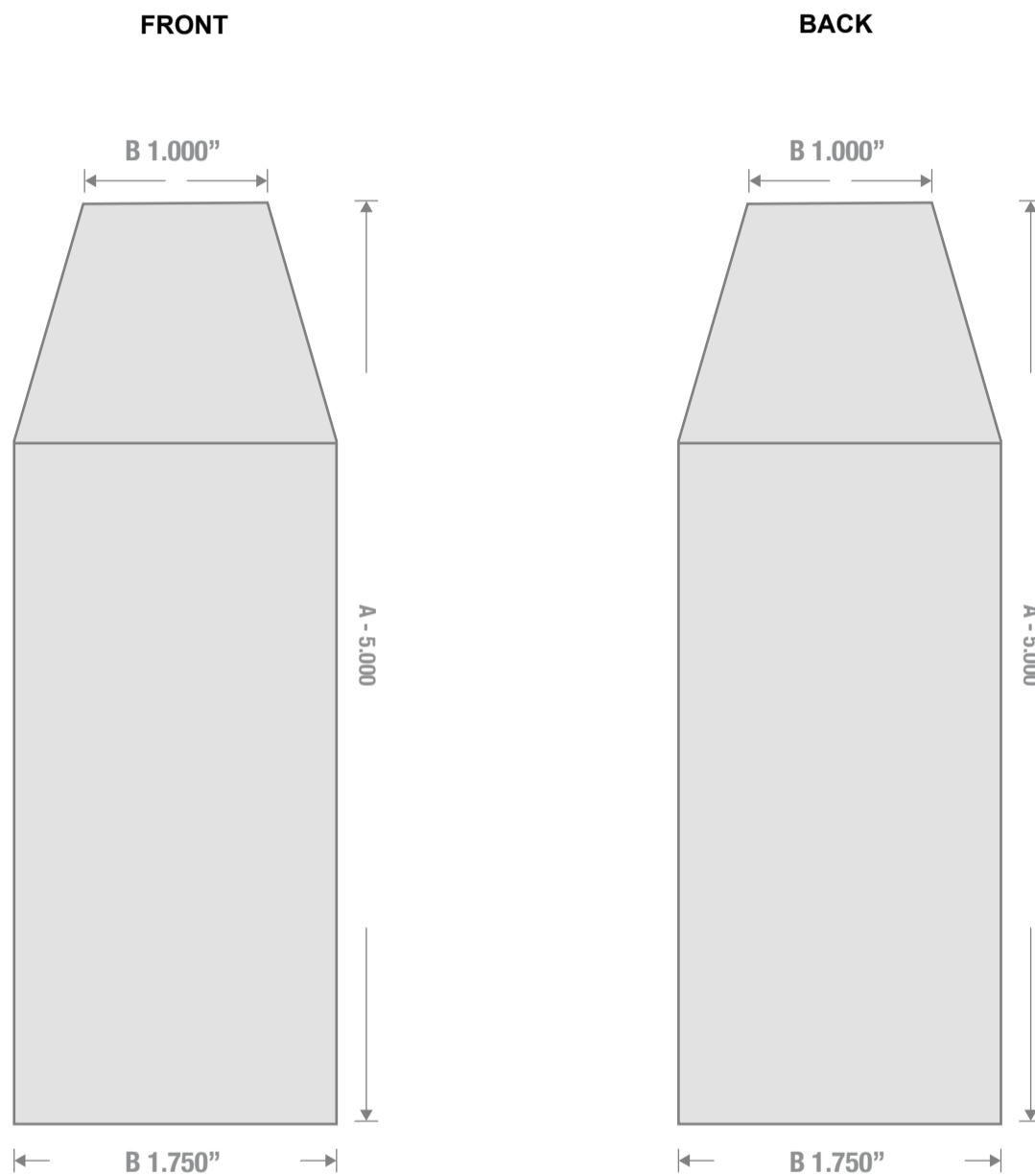
Overall Height (B):
7.220 ± 0.050

Case Weight (lb): **20.7 ± 0.8**

Rev #2 01/2016

Drawing not exactly to size.





1700 S Hellman Ave, Ontario, California 91761
Phone: (909) 930-3610 | Fax: (909) 930-3640
e-mail: info@classiccontainers.com
www.classiccontainers.com

A - Total Height.
B - Max. Decorating Area.