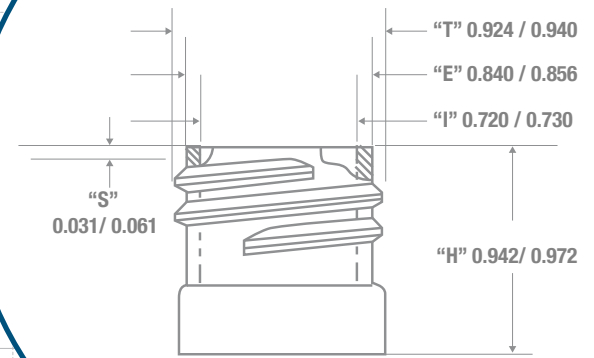
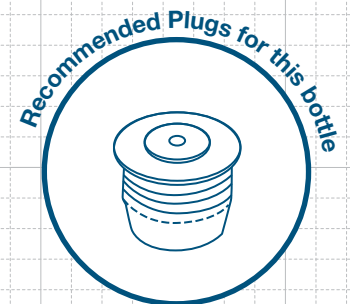
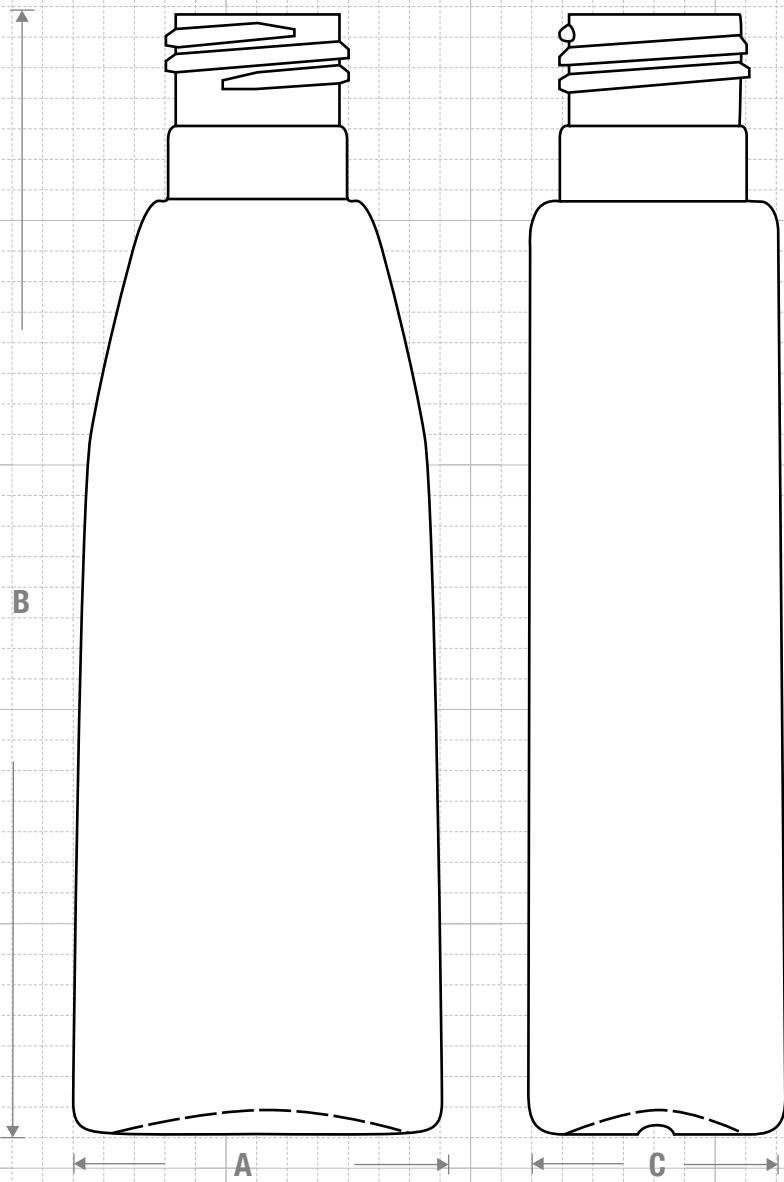


NECK & THREAD DETAIL

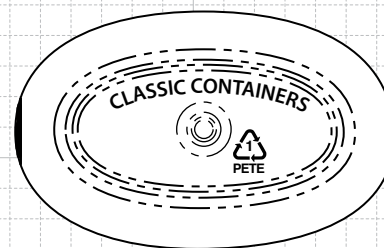


FRONT VIEW

SIDE VIEW



FRICION FIT

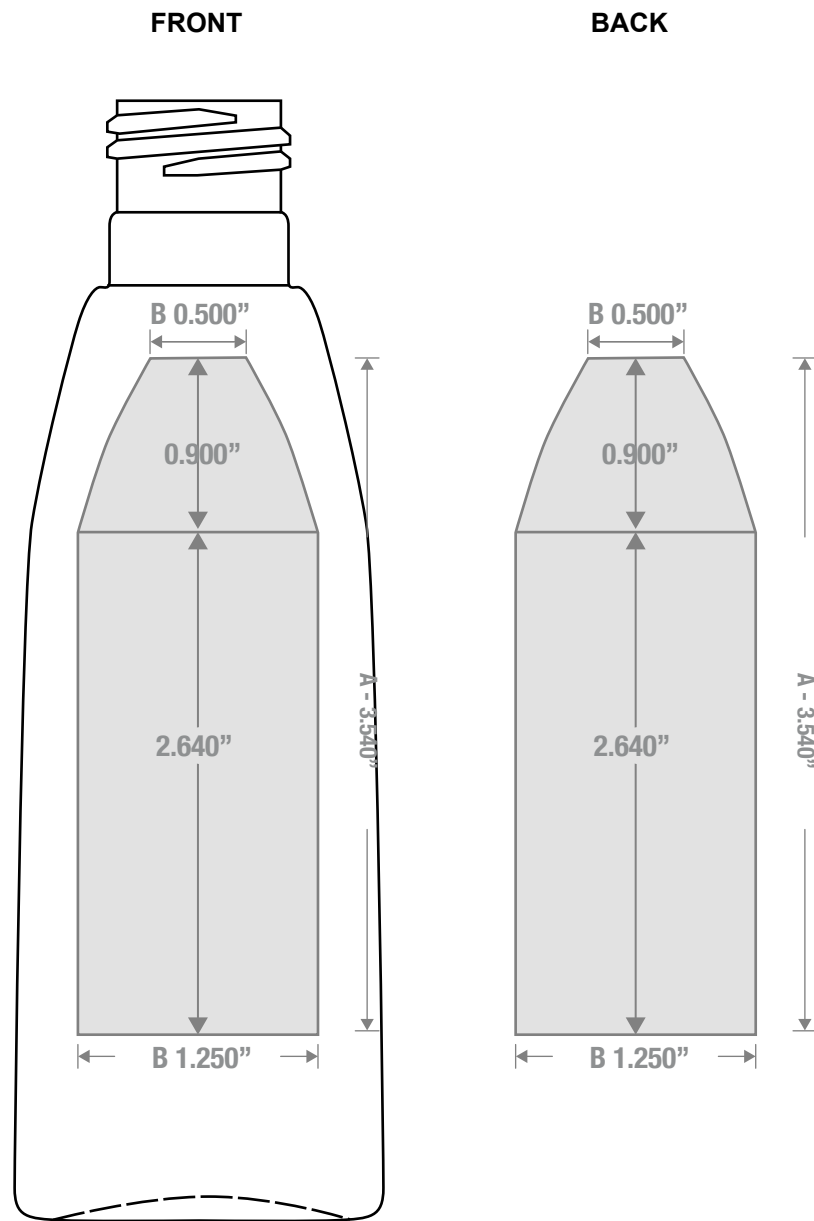


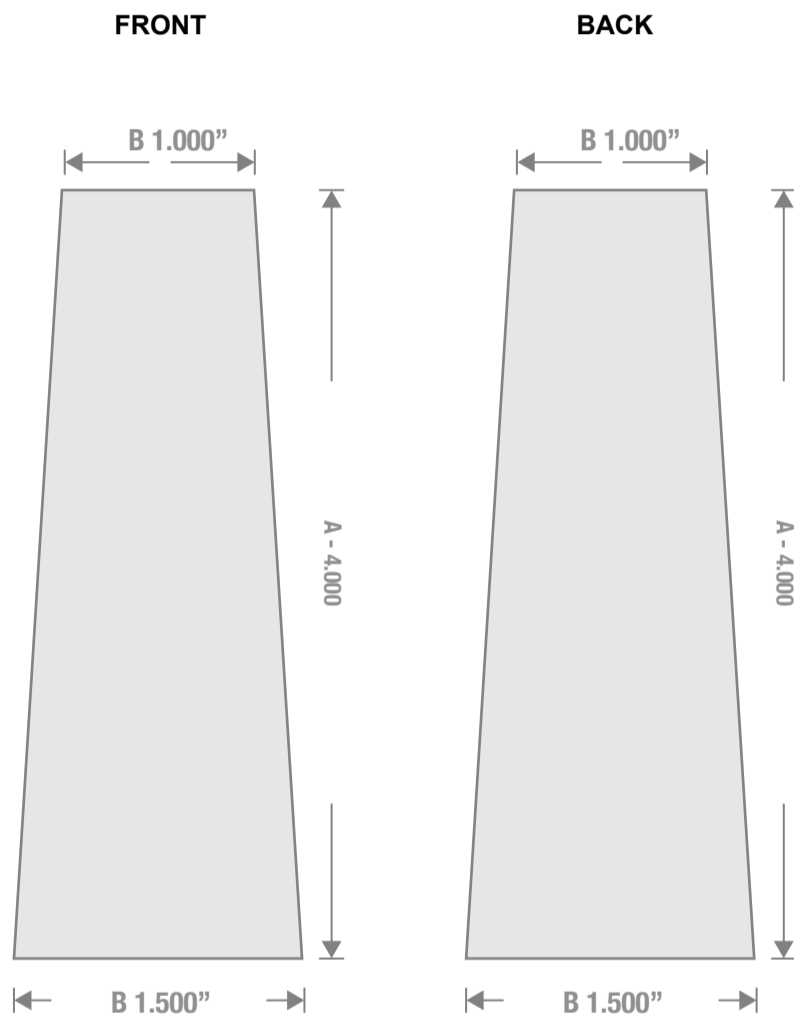
BOTTOM VIEW



CLASSIC CONTAINERS INC
 1700 S. Hellman Ave.
 Ontario, CA 91761
 Phone: 909-930-3610
 e-mail: info@classiccontainers.com
 www.classiccontainers.com

Drawing: 4 oz Teardrop 24/415	Gram Weight: 15 ± 1	Max Print Area (Height): 3.540"	Cases Per Pallet: 25
Stock Code: 000400350251700	Neck Finish: 24/415	Max Print Area (Width): Base: 1.250" Shoulder: 0.500"	Box Dimensions: 23 5/8 x15 9/16 x17
Manufacturing Process: Strech Blow Molding	Base Width (A) 1.961 ± 0.050 BaseDeep (C): 1.291 ± 0.050	Case Pack: 466	Stock Material:
Overflow Capacity: 124 -136 ml (4.2 - 4.6 oz)	Overall Height (B): 5.800 ± 0.050	Case Weight (lb): 17.5 ± 1.0	Rev #3 02/2017 Drawing not exactly to size.





1700 S Hellman Ave, Ontario, California 91761
Phone: (909) 930-3610 | Fax: (909) 930-3640
e-mail: info@classiccontainers.com
www.classiccontainers.com

A - Total Height.
B - Max. Decorating Area.