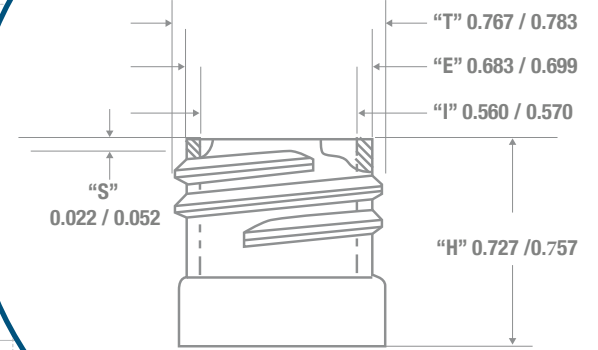
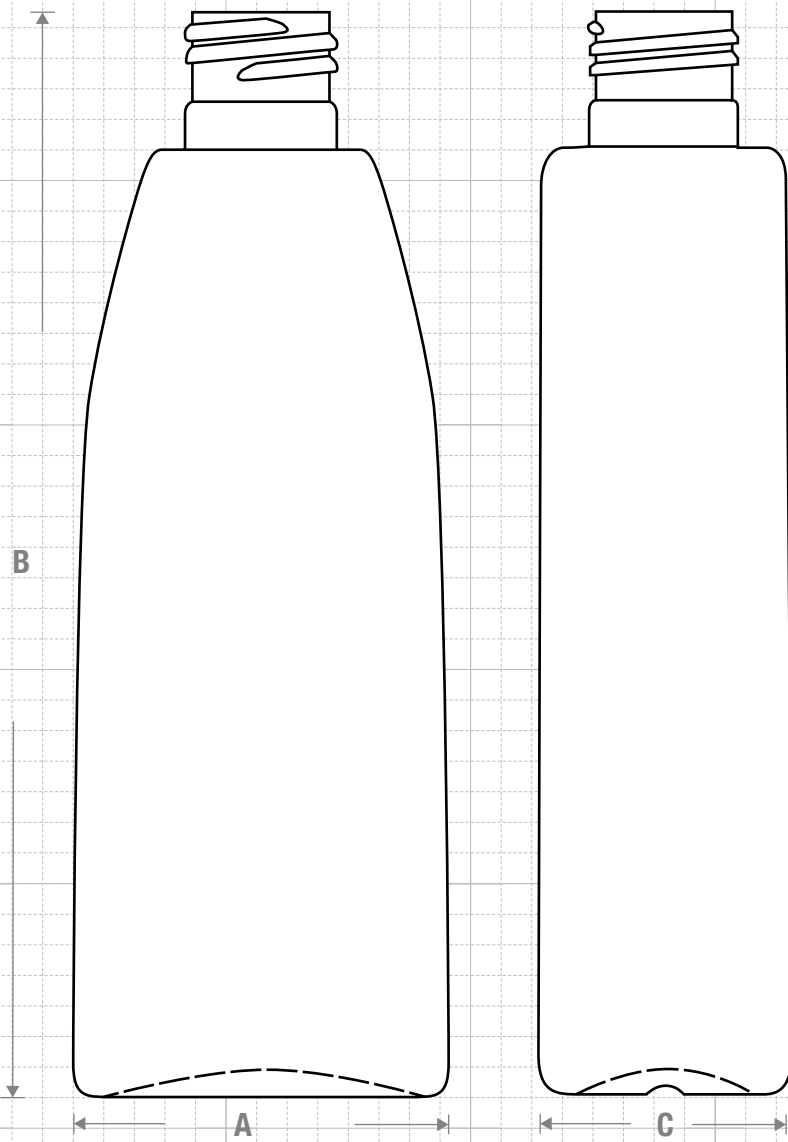


NECK & THREAD DETAIL



FRONT VIEW

SIDE VIEW



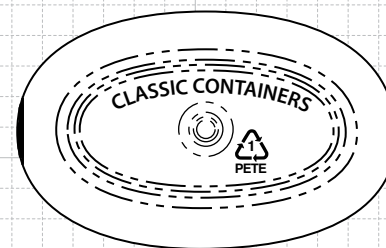
Recommended Plugs for this bottle



Recommended Plugs for this bottle



FRICITION FIT



BOTTOM VIEW



CLASSIC CONTAINERS INC
 1700 S. Hellman Ave.
 Ontario, CA 91761
 Phone: 909-930-3610
 e-mail: info@classiccontainers.com
 www.classiccontainers.com

Drawing:
4 oz Teardrop 20/415

Gram Weight:
15 ± 1

Max Print Area (Height):
3.540"

Cases Per Pallet: **25**

Stock Code:
000400350211700

Neck Finish:
20/415

Max Print Area (Width):
 Base: **1.250"** Shoulder: **0.500"**

Box Dimensions:
23 5/8 x 15 9/16 x 17

Manufacturing Process:
Stretch Blow Molding

Base Width (A) Base Deep (C):
1.961± 0.050 1.291± 0.050

Case Pack: **495**

Stock Material:



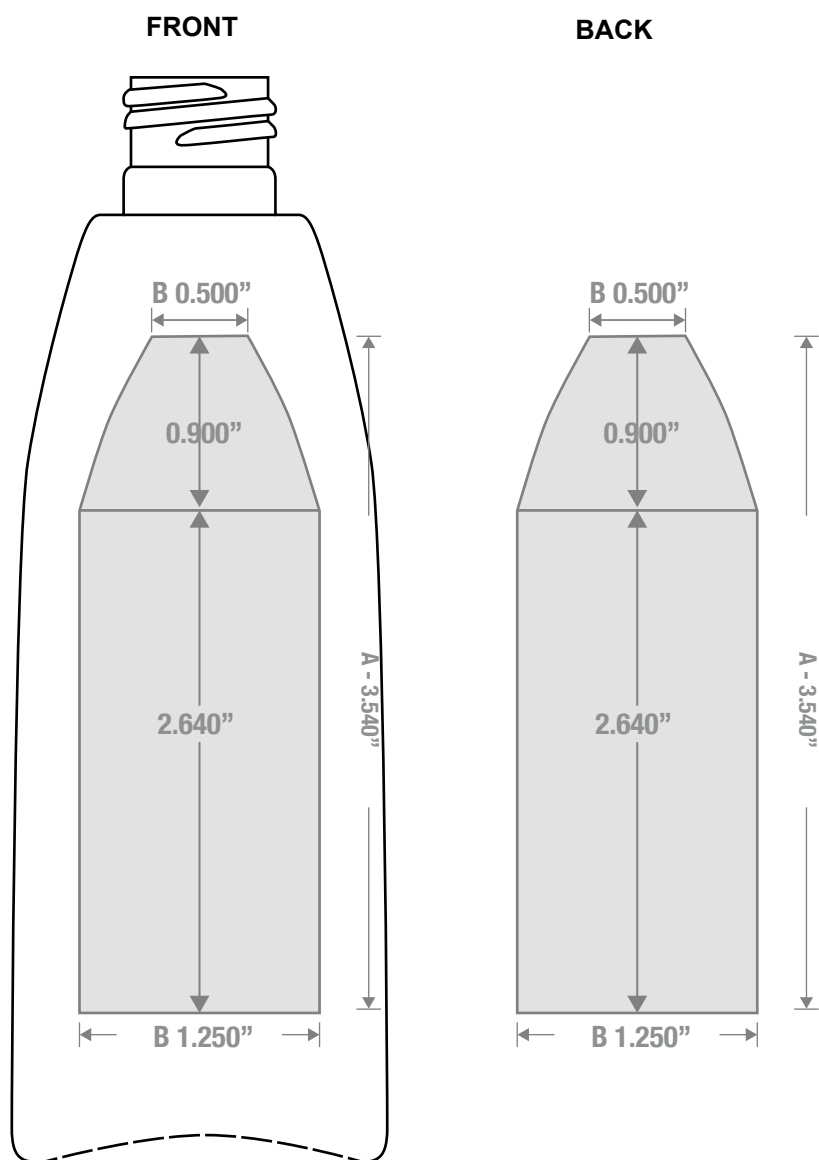
Overflow Capacity:
121 - 133 ml (4.1 - 4.5 oz)

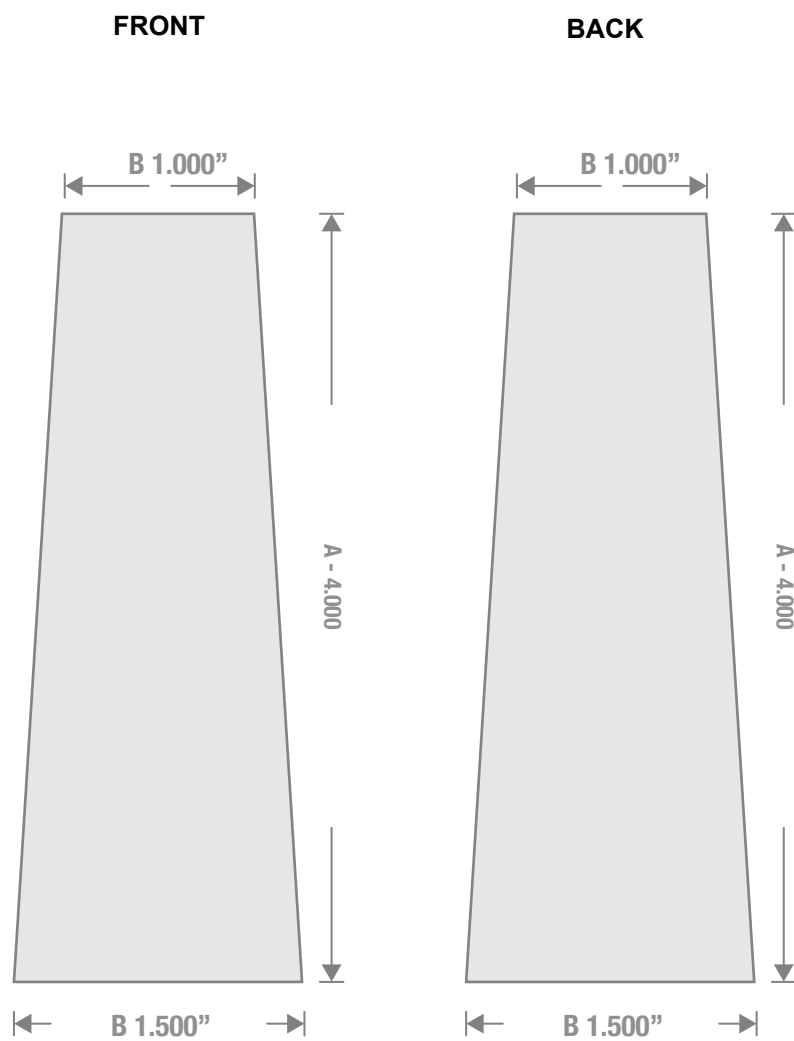
Overall Height (B):
5.604 ± 0.050

Case Weight(lb): **18.5 ± 1.0**

Rev #3 02/2017

Drawing not exactly to size.





1700 S Hellman Ave, Ontario, California 91761
Phone: (909) 930-3610 | Fax: (909) 930-3640
e-mail: info@classiccontainers.com
www.classiccontainers.com

A - Total Height.
B - Max. Decorating Area.