



Drawing:
24 mm Short Spout Cap - Hole W/ Short Over Cap

Manufacturing Process:
Injection Molding

Stock Code:
00000000000000

Gram Weight 24 mm Short Spout Cap-hole
3.6 ± 0.10

Stock Material :
 24 mm Short Over Cap Ribbed: **LDPE**
 24 mm Short Over Cap Matte:

Neck Finish Short Spout Cap-Hole:**24/410**

Gram Weight 24 mm Short Spout Cap- Hole with *24 mm Short Over Cap Ribbed Finish *24 mm Short Over Cap Matte Finish
4.4 ±0.10

Case Pack 24 mm Short Spout Cap-Hole :
 24 mm Short Over Cap Ribbed :
 24 mm Short Over Cap Matte :
2100

Stock Color 24 mm Short Over Cap Ribbed finish/ Matte Finish:
White, Red, Blue.

Stock Material 24 mm Spout Cap - Hole :
LDPE

Stock Color 24 mm Short Spout Cap - Hole : **Natural**

Case Weight 24 mm Short Spout Cap- Hole W/ Short Over Cap Matte or Short Over Cap Ribbed **22.3±0.5**

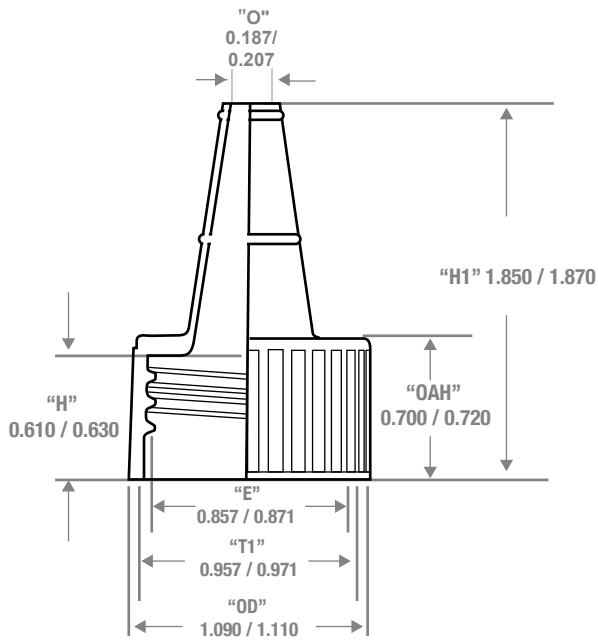
Cases/Pallet:
30

Box Dimensions:
24 x 12 x 12 1/4

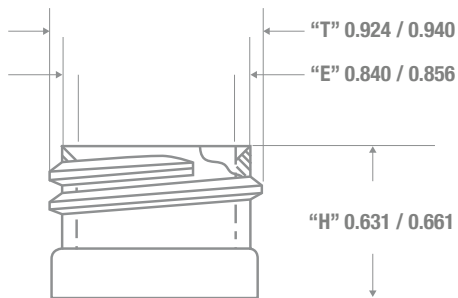
Stock Material:
LDPE

CLASSIC CONTAINERS INC
 1700 S. Hellman Ave.
 Ontario, CA 91761
 Phone: 909-930-3610
 e-mail: info@classiccontainers.com
www.classiccontainers.com

24 mm Short Spout Cap-Hole
 Stock Code



Recommended Neck Finish
 Land Area Must Be Smooth

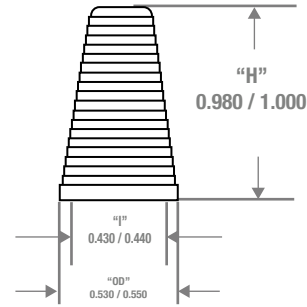


* Linner Optional

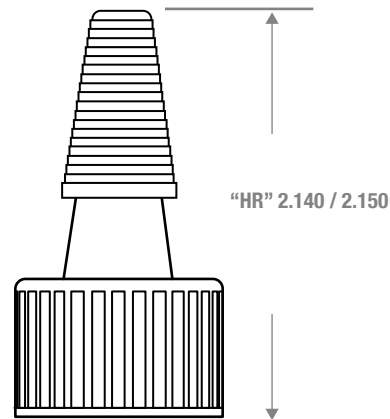
*Linner available upon request: **PS22/FS113/FS319**

FS59/PS403

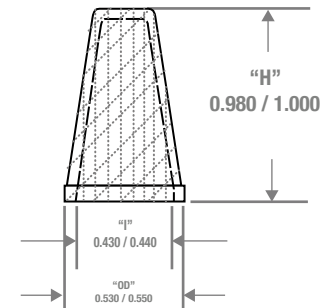
24 mm Short Over Cap
Ribbed Finish
 Stock Code 24V000700110000



24 mm Short Spout- Hole w/ Short Over Cap Ribbed Finish
 Stock Code



24 mm Short Over Cap
Matte Finish
 Stock Code 24V000700120000



24 mm Short Spout Cap-Hole w/Short Over Cap Matte Finish
 Stock Code

