



Drawing:
24 mm Sifter Orifice Reducer Friction Fit Rib- Standard

Manufacturing Process:
Injection Molding

Stock Color:
Natural

Gram Weight:
1.30 ± 0.1

Case Pack:
4500

Case Weight (lb):
13.8 ± 1.0

Cases Per Pallet:
45

Box Dimensions:
12 x 12 x 10"

* = "O" ORIFICE OPTIONS:

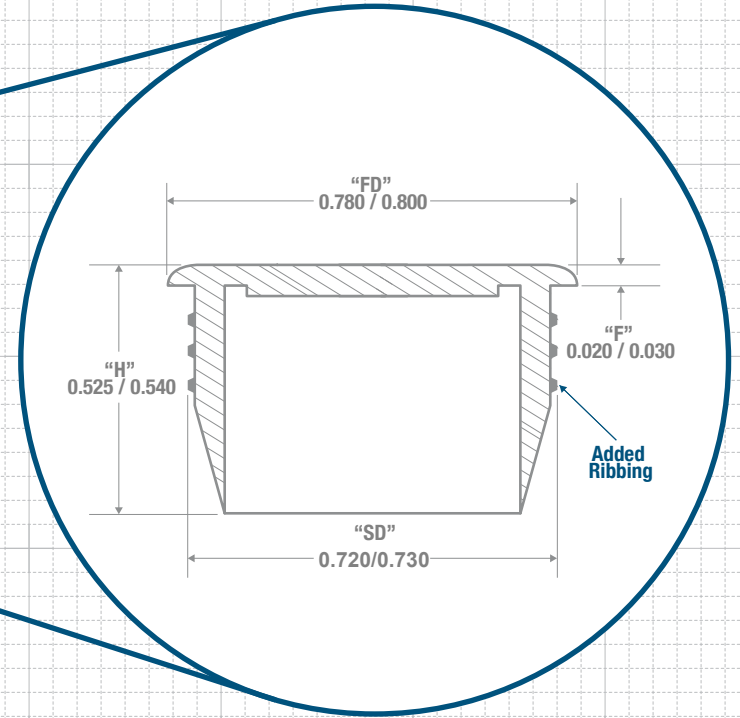
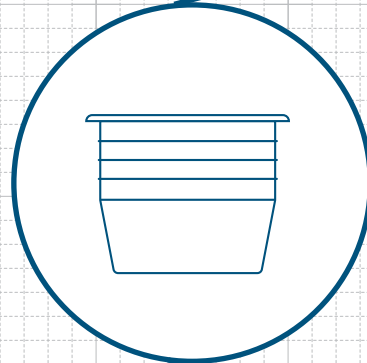
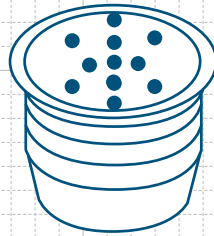
Stock Code:	Orifice Size:
24S022810140030	.035" ± 0.005
24S022810140060	.060" ± 0.005

Stock Material:



CLASSIC CONTAINERS INC
 1700 S. Hellman Ave.
 Ontario, CA 91761
 Phone: 909-930-3610
 e-mail: info@classiccontainers.com
 www.classiccontainers.com

SIFTER ORIFICE REDUCER DETAIL



RECOMMENDED NECK FINISH

