



Drawing:
**24 mm Sifter Orifice
 Reducer Friction Fit
 Non- Standard**

Manufacturing Process:
Injection Molding

Stock Color:
Natural

Gram Weight:
1.40 ± 0.1

Case Pack:
4500

Case Weight (lb):
14.8 ± 1.3

Cases Per Pallet:
45

Box Dimensions:
12 x 12 x 10"

*** "O" ORIFICE OPTIONS:**

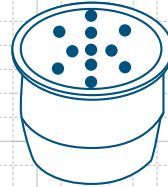
Stock Code:	Orifice Size:
24SC0081014NS30	.030" ± 0.005
24SC0081014NS60	.060" ± 0.005

Compatible with:
**Classic Containers
 PETE Bottles**

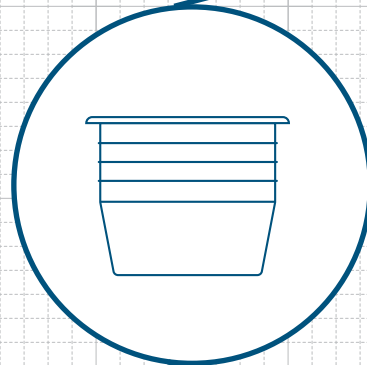
Stock Material:



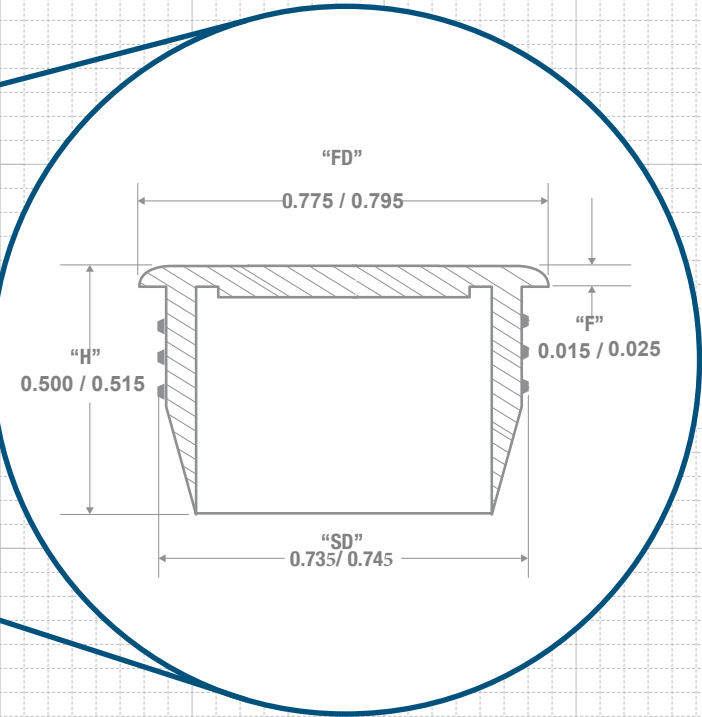
CLASSIC CONTAINERS INC
 1700 S. Hellman Ave.
 Ontario, CA 91761
 Phone: 909-930-3610
 e-mail: info@classiccontainers.com
 www.classiccontainers.com



**COMPATIBLE WITH CLASSIC CONTAINERS
 PETE BOTTLES**



SIFTER ORIFICE REDUCER DETAIL



RECOMMENDED NECK FINISH

