



Drawing:
24 mm Short Spout Cap Hole w/Tip Over Cap

Manufacturing Process:
Injection Molding

Stock Code:

Gram Weight 24 mm Short Spout Cap-Hole :
3.6 ± 0.10

Stock Material Tip Over Cap:
LDPE

Neck Finish Short Spout Cap-Hole: **24/410**

Gram Weight 24 mm Short Spout Cap-Hole with Tip Over Cap:
3.8 ± 0.10

Case pack 24 mm Short Spout Cap Hole w/ Tip Over Cap:
2100

Stock Color Tip Over Cap:
White, Red, Blue.

Stock Material 24 mm Short Spout Cap Hole **LDPE**

Stock Color 24 mm Short Spout Cap Hole:
Natural.

Case weight 24 mm Short Spout Cap Hole w/ Tip Over Cap:
19.5 ± 0.50

Cases/Pallet:
30

Box Dimensions:
24 x 12 x 12 1/4

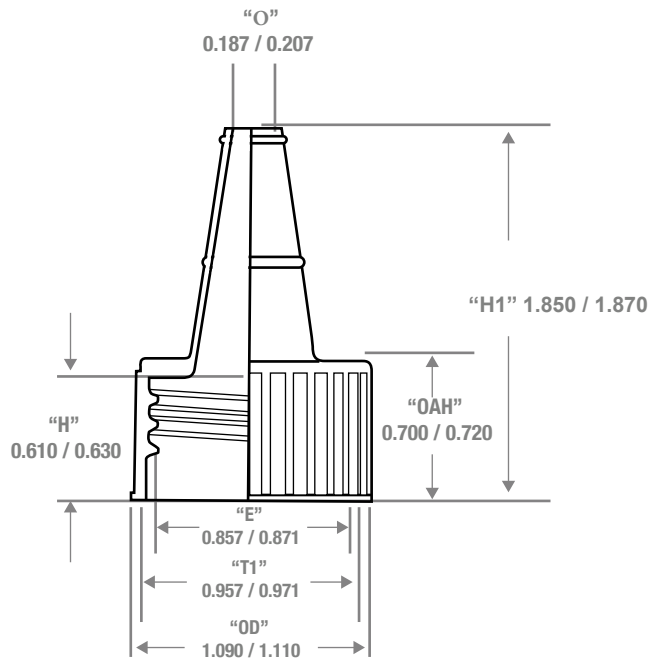
Stock Material:



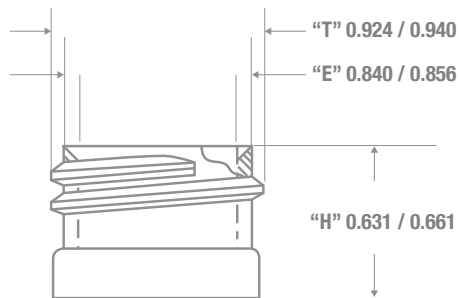
CLASSIC CONTAINERS INC
 1700 S. Hellman Ave.
 Ontario, CA 91761
 Phone: 909-930-3610
 e-mail: info@classiccontainers.com
 www.classiccontainers.com

24 mm Short Spout Cap-Hole

Stock Code



Recommended Neck Finish Land Area Must Be Smooth



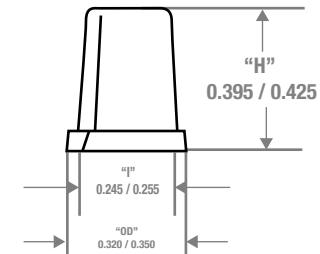
* Linner Optional

*Linner available upon request: **PS22/FS113**

FS319/FS59/PS403

Tip Over Cap

Stock Code TIPO00700190000



24 mm Short Spout Cap-Hole With Tip Over Cap

Stock Code

