



Drawing:
**24 mm Orifice Reducer
Snap Fit**

Manufacturing Process:
Injection Molding

Color:
Natural

Gram Weight:
0.70 ± 0.1

Case Pack:
9500

Case Weight (lb):
15.6 ± 2.0

Cases Per Pallet:
45

Box Dimensions:
12 x 12 x 10"

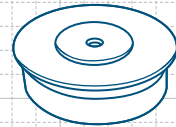
"O" Orifice Options:
Code: Orifice size:

24OR00810200025 .025"± 0.005
24OR00810200090 .090"± 0.005

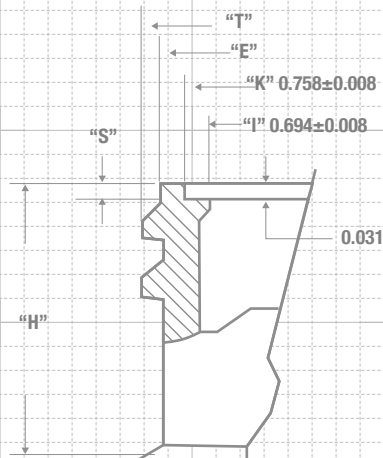
Stock Material:



CLASSIC CONTAINERS INC
1700 S. Hellman Ave.
Ontario, CA 91761
Phone: 909-930-3610
e-mail: info@classiccontainers.com
www.classiccontainers.com



RECOMMENDED NECK FINISH
LAND AREA MUST BE SMOOTH



ORIFICE REDUCER DETAIL

