



Drawing:  
**24 mm Orifice Reducer**  
**Friction Fit Rib Non Standar**

Manufacturing Process:  
**Injection Molding**

Color:  
**Natural**

Gram Weight:  
**1.50 ± 0.10**

Case Pack:  
**4500**

Case Weight (lb):  
**15.8 ± 1.0**

Cases Per Pallet:  
**45**

Box Dimensions:  
**12 x 12 x 10**

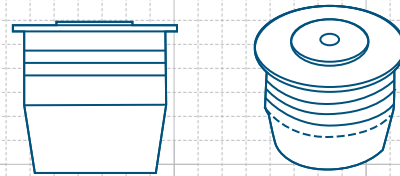
"O" Orifice Options:

Code:	Orifice size:
24OR2281014NS60	.060"±0.005
24OR2281014NS90	.090"±0.005
24OR2281014N125	.125"±0.005
24OR2281014N180	.180"±0.005

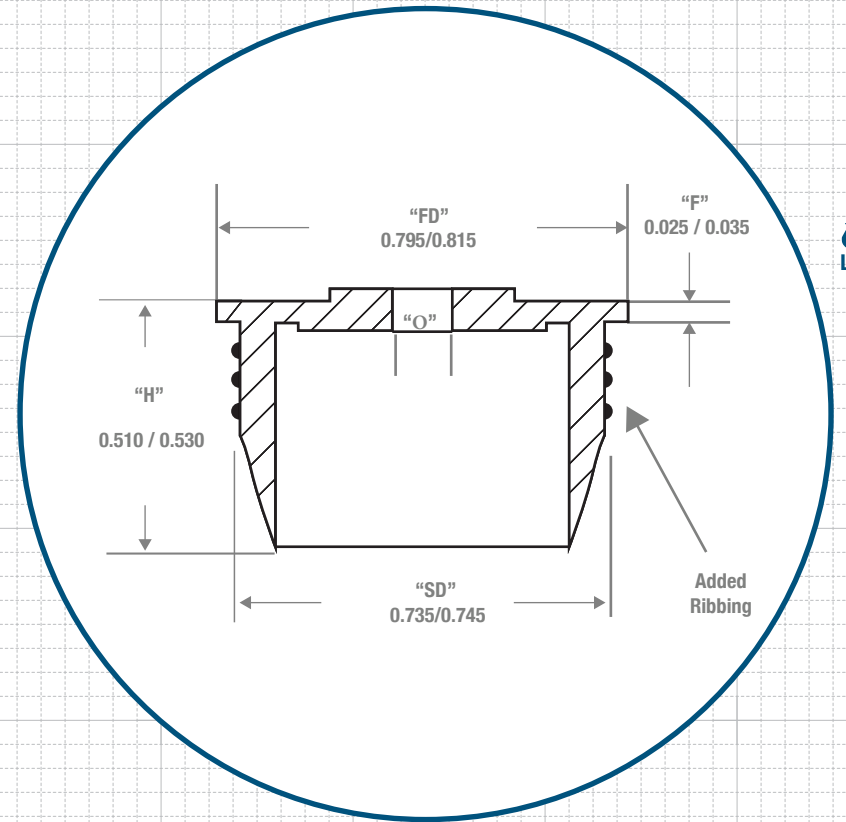
Stock Material:



**CLASSIC CONTAINERS INC**  
 1700 S. Hellman Ave.  
 Ontario, CA 91761  
 Phone: 909-930-3610  
 e-mail: info@classiccontainers.com  
 www.classiccontainers.com



**ORIFICE REDUCER**



**RECOMMENDED NECK FINISH**

**LAND AREA MUST BE SMOOTH**

