



Drawing:
**24 mm Long Spout Cap w/
 Long Over Cap**

Manufacturing Process:
Injection Molding

Stock Code:
30A01015000000

Gram Weight 24 mm Long
 Spout Cap:
2.2 ± 0.10

Gram Weight 24 mm Long Spout
 Cap w/Long Over Cap:
3.10 ± 0.10

Neck Long Spout Cap Finish:
24/410

Stock Material 24 mm Long Spout Cap:
PP

Stock Material Long Over Cap:
LDPE

Stock Color 24 mm Long Spout Cap:
Natural, White.

Stock Color Long Over Cap:
White

Case pack 24 mm Long Spout Cap
 w/ Long Over Cap: **2800**

Case weight 24 mm Long Spout Cap
 w/Long Over Cap: **21.0 ± 0.60**

Cases/Pallet:
30

Box Dimensions:
24 x 12 x 12 1/4

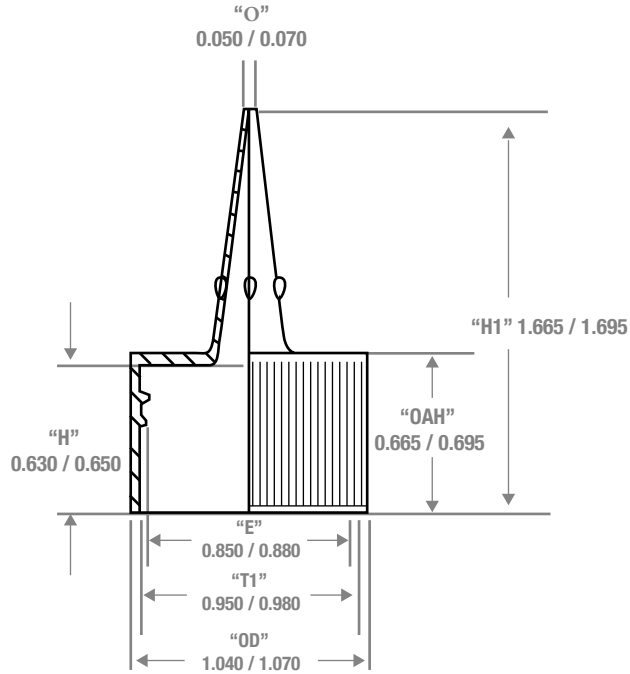
Stock Material:



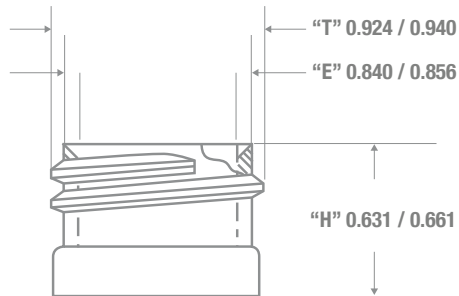
CLASSIC CONTAINERS INC

1700 S. Hellman Ave.
 Ontario, CA 91761
 Phone: 909-930-3610
 e-mail: info@classiccontainers.com
www.classiccontainers.com

24 mm Long Spout Cap
 Stock Code 24C000500100000



Recommended Neck Finish
 Land Area Must Be Smooth

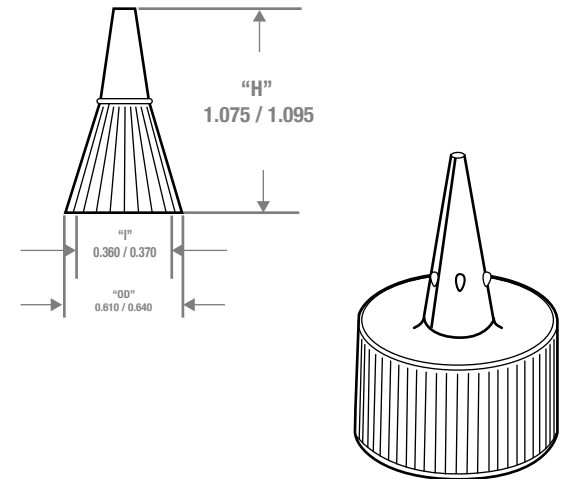


* Linner Optional

*Linner available upon request: **PS22/FS113**

FS319/FS59/PS403

24 mm Long Over Cap
 Stock Code 240000700100000



**24 mm Long Spout Cap With
 Long Over Cap**

Stock Code 30A010150000000

