



Drawing:
24/410 Smooth Wall Cap Valve Seal

Manufacturing Process:
Injection Molding

Stock Code:
24SV0050000000

Gram Weight :
 Smooth Wall Cap Valve Seal :

3.4 ± 0.2

Case Weight (lb) :
 Smooth Wall Cap Valve Seal :

32.6 ± 1.8

Stock Color :
White, Black, Natural.

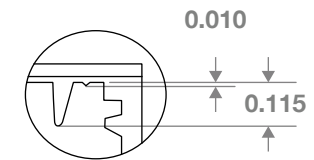
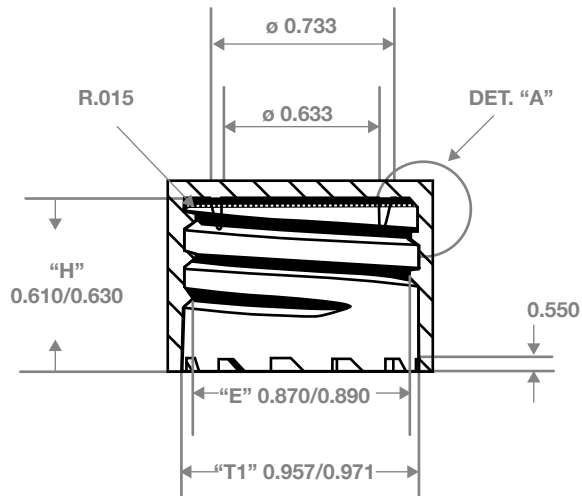
Case Pack:
4100

Box Dimensions:
24 x 12 x 12 1/4

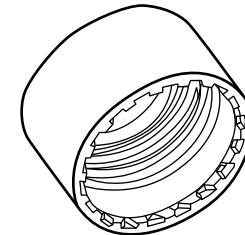
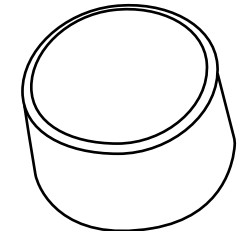
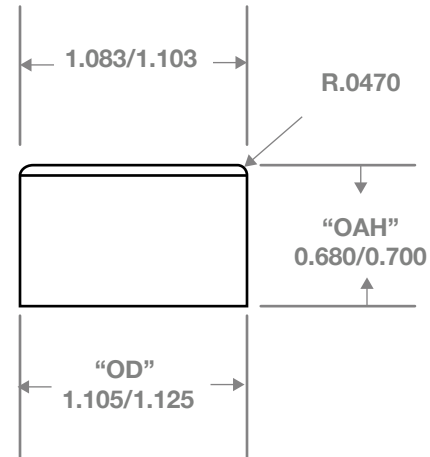
Stock Material:



CLASSIC CONTAINERS INC
 1700 S. Hellman Ave.
 Ontario, CA 91761
 Phone: 909-930-3610
 e-mail: info@classiccontainers.com
www.classiccontainers.com



DET "A"
SCALE =4:1



Recommended Neck Finish
Land Area Must Be Smooth

