



Drawing:
**24/410 Fine Ribbed Cap
Valve Seal**

Manufacturing Process:
Injection Molding

Stock Code:
24RV0050000000

Gram Weight :
2.5 ± 0.20

Case Weight (lb) :
25.4 ± 1.8

Stock Color :
White, Black, Natural.

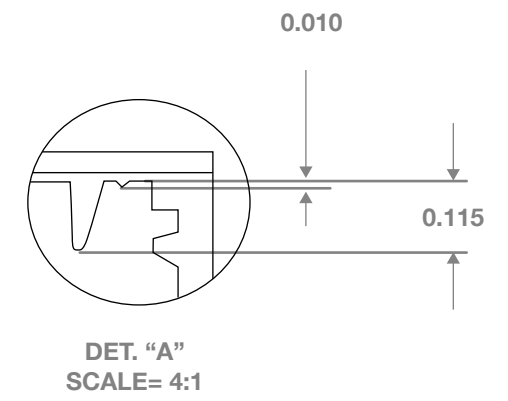
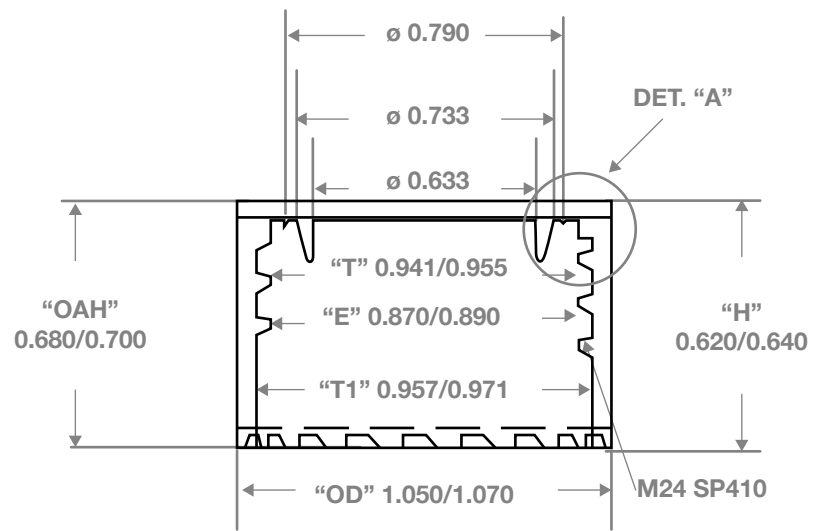
Case Pack:
4100

Box Dimensions:
24 x 12 x 12 1/4

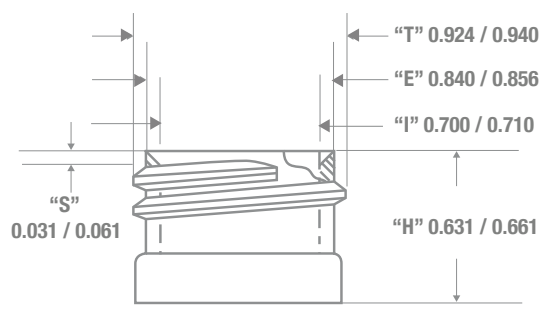
Stock Material:



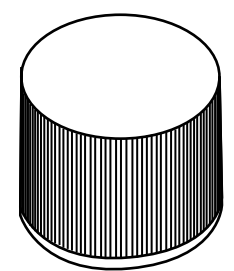
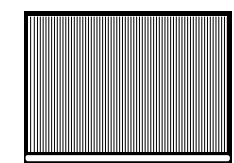
CLASSIC CONTAINERS INC
1700 S. Hellman Ave.
Ontario, CA 91761
Phone: 909-930-3610
e-mail: info@classiccontainers.com
www.classiccontainers.com



**Recommended Neck Finish
Land Area Must Be Smooth**



OPTION (A)



OPTION (B)

