



Drawing:
**22 mm Orifice Reducer
Friction Fit**

Manufacturing Process:
Injection Molding

Color:
Natural

Gram Weight:
1.20 ± 0.1

Case Pack:
5000

Case Weight (lb):
14.2 ± 1.1

Cases Per Pallet:
45

Box Dimensions:
12 x 12 x 10"

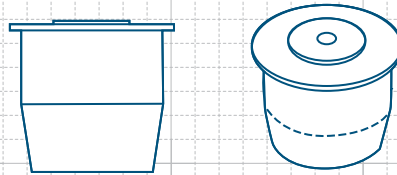
"O" Orifice Options:

Code: Orifice size:
22OR00810140090 .090" ± 0.005

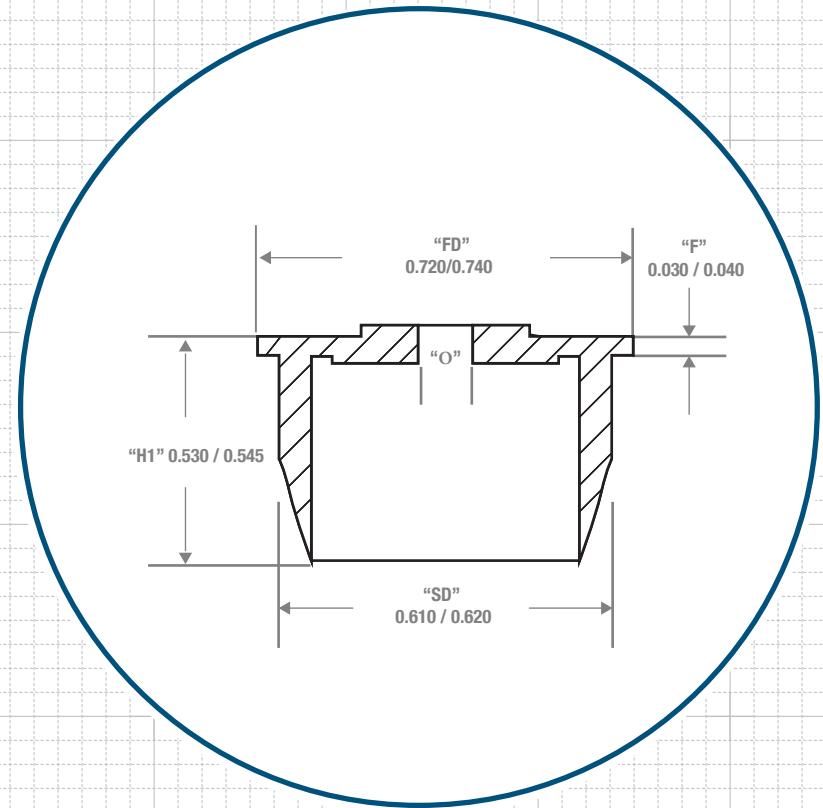
Stock Material:



CLASSIC CONTAINERS INC
1700 S. Hellman Ave.
Ontario, CA 91761
Phone: 909-930-3610
e-mail: info@classiccontainers.com
www.classiccontainers.com



ORIFICE REDUCER DETAIL



RECOMMENDED NECK FINISH LAND AREA MUST BE SMOOTH

