



Drawing:
**20 mm Sifter Orifice
 Reducer Friction Fit Rib-
 Standard**

Manufacturing Process:
Injection Molding

Stock Color:
Natural

Gram Weight:
0.80 ± 0.1

Case Pack:
6000

Case Weight (lb):
11.5 ± 1.3

Cases Per Pallet:
45

Box Dimensions:
12 x 12 x 10"

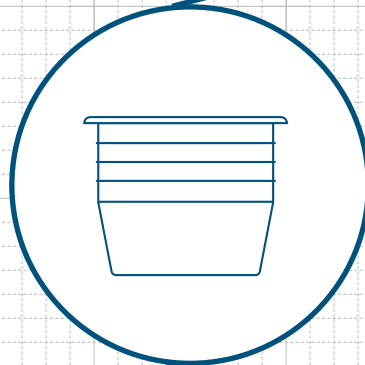
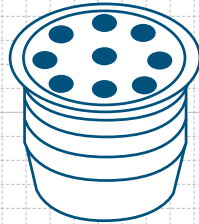
***"O" ORIFICE OPTIONS:**

Stock Code:	Orifice Size:
20S022810140060	.060" ± 0.005

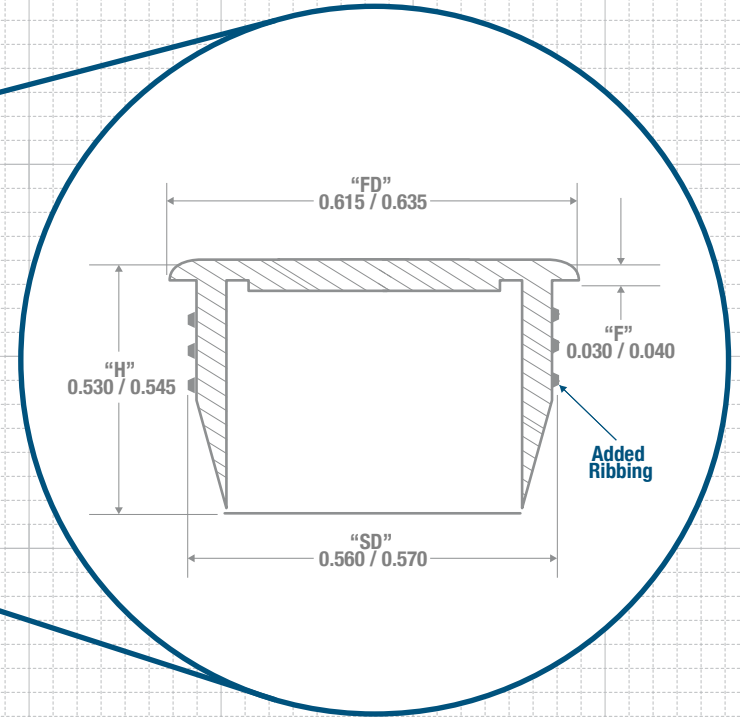
Stock Material:



CLASSIC CONTAINERS INC
 1700 S. Hellman Ave.
 Ontario, CA 91761
 Phone: 909-930-3610
 e-mail: info@classiccontainers.com
 www.classiccontainers.com



SIFTER ORIFICE REDUCER DETAIL



RECOMMENDED NECK FINISH

