



Drawing:
**20 mm Sifter Orifice
 Reducer Friction Fit
 Non- Standard**

Manufacturing Process:
Injection Molding

Stock Color:
Natural

Gram Weight:
0.90 ± 0.1

Case Pack:
6000

Case Weight (lb):
12.8 ± 1.3

Cases Per Pallet:
45

Box Dimensions:
12 x 12 x 10"

* = "O" ORIFICE OPTIONS:

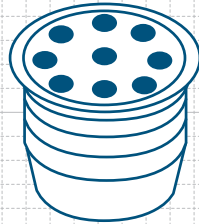
Stock Code: Orifice Size:
 20SO2281014NS60 .060" ± 0.005

Compatible with:
**Classic Containers
 PETE Bottles**

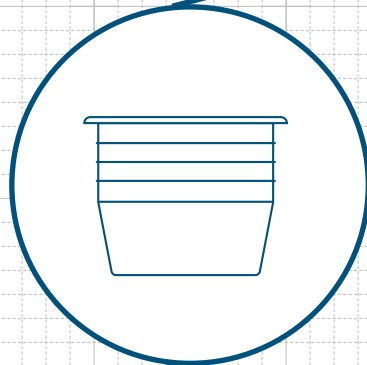
Stock Material:



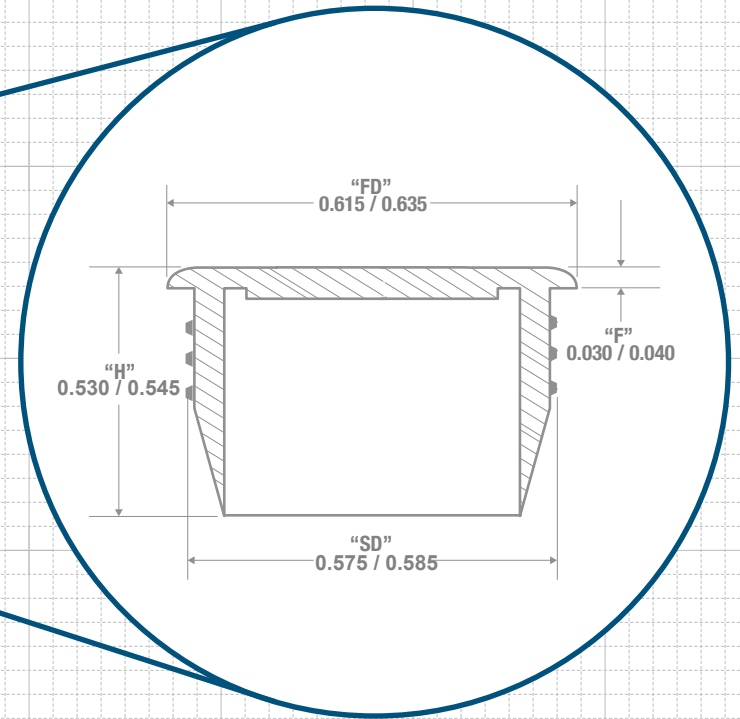
CLASSIC CONTAINERS INC
 1700 S. Hellman Ave.
 Ontario, CA 91761
 Phone: 909-930-3610
 e-mail: info@classiccontainers.com
 www.classiccontainers.com



COMPATIBLE WITH CLASSIC CONTAINERS
 PETE BOTTLES



SIFTER ORIFICE REDUCER DETAIL



RECOMMENDED NECK FINISH

