



Drawing:
**20 mm Orifice Reducer
Snap Fit**

Manufacturing Process:
Injection Molding

Color:
Natural

Gram Weight:
0.44 ± 0.10

Case Pack:
4000

Case Weight (lb):
4.3 ± 0.9

Cases Per Pallet:
160

Box Dimensions:
8^{1/4} x 8 1/4 x 6^{1/2}

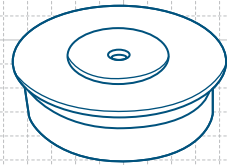
"O" Orifice Options:

Stock Code:	Orifice size:
20OR00810200090	.090"±0.005
20OR00810200025	.025"±0.005

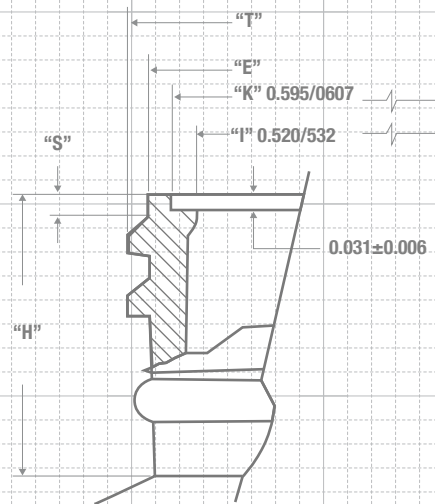
Stock Material:



CLASSIC CONTAINERS INC
1700 S. Hellman Ave.
Ontario, CA 91761
Phone: 909-930-3610
e-mail: info@classiccontainers.com
www.classiccontainers.com



RECOMMENDED NECK FINISH
LAND AREA MUST BE SMOOTH



ORIFICE REDUCER DETAIL

