



Drawing:
20mm Orifice Reducer
Friction Fit Rib Standard

Manufacturing Process:
Injection Molding

Stock Color:
Natural

Gram Weight:
0.8 ± 0.1

Case Pack:
6000

Case Weight (lb):
11.5 ± 1.3

Cases Per Pallet:
45

Box Dimensions:
12 x 12 x 10"

*** "O" ORIFICE OPTIONS:**

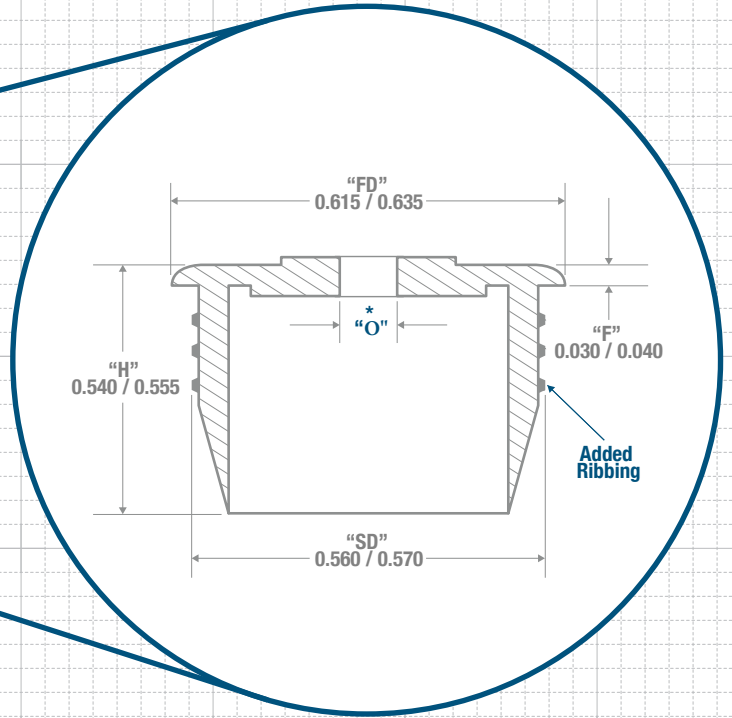
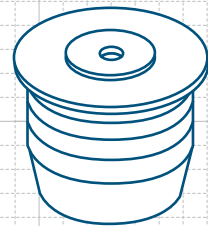
Stock Code:	Orifice Size:
20OR22810140035	.035" ± 0.005
20OR22810140060	.060" ± 0.005
20OR22810140090	.090" ± 0.005
20OR22810140125	.125" ± 0.005
20OR22810140180	.180" ± 0.005
20OR22810140310	.310" ± 0.005

Stock Material:



CLASSIC CONTAINERS INC
 1700 S. Hellman Ave.
 Ontario, CA 91761
 Phone: 909-930-3610
 e-mail: info@classiccontainers.com
 www.classiccontainers.com

ORIFICE REDUCER DETAIL



RECOMMENDED NECK FINISH

LAND AREA MUST BE SMOOTH

