



Drawing:
**20 mm Long Spout Cap w/
 Long Ribbed Over Cap**

Manufacturing Process:
Injection Molding

Stock Code:
30A010110000000

Gram Weight 20 mm Long
 Spout Cap: **2.45 ± 0.10**

Gram Weight 20 mm Long
 Spout Cap w/long Ribbed Over Cap:
3.50 ± 0.10

Neck Finish Long Spout Cap:
20/410

Stock Material Long Spout
 Cap: **HDPE**

Stock Material Long Ribbed
 Over Cap: **LDPE**

Stock Color 20 mm Long
 Spout Cap: **Natural, White**

Stock Color Long Ribbed
 Over Cap: **Natural, White, Blk**

Case pack 20 mm Long Spout Cap
 w/ Long Ribbed Over Cap:
3500

Case weight 20 mm Long Spout Cap
 w/Long Ribbed Over Cap: **29.0±0.80**

Cases/Pallet: **30**

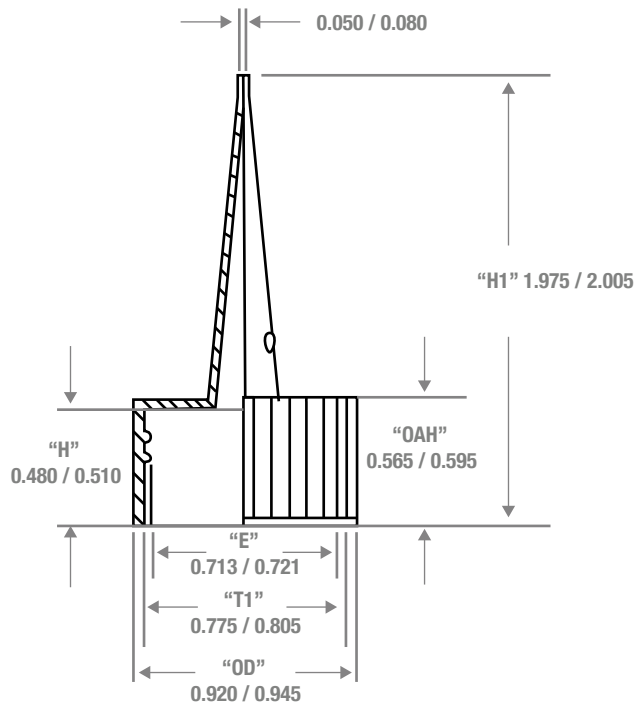
Box Dimensions:
24 x 12 x 12 1/4

Stock Material:

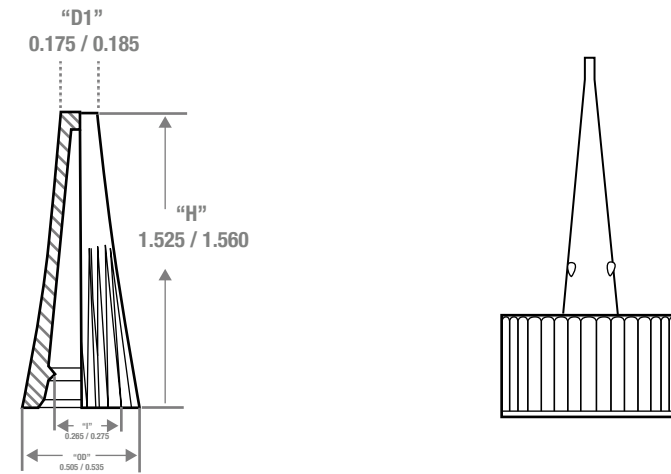


CLASSIC CONTAINERS INC
 1700 S. Hellman Ave.
 Ontario, CA 91761
 Phone: 909-930-3610
 e-mail: info@classiccontainers.com
 www.classiccontainers.com

20 mm Long Spout Cap
 Stock Code 20C000500100000

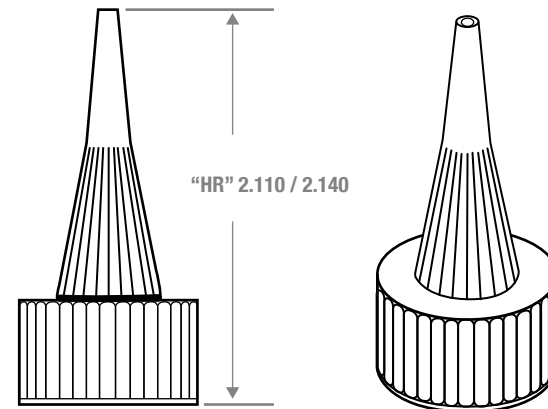
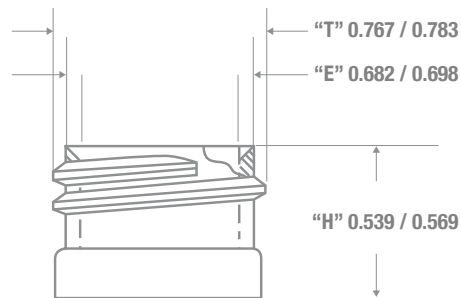


20 mm Long Ribbed Over Cap
 Stock Code 20V000700110000



**20 mm Long Spout Cap With
 Long Ribbed Over Cap**
 Stock Code 30A010110000000

Recommended Neck Finish
 Land Area Must Be Smooth



* Linner Optional

*Linner available upon request: **PS22/FS113**

FS319/FS59/PS403