



Drawing:
**20 mm Dropper Tip Round
End Uncontrolled Snap Fit**

Stock Code:
20T000800000000

Manufacturing Process:
Injection Molding

Color:
Natural

Gram Weight:
0.60 ± 0.05

Case Pack:
2500

Case Weight (lb):
3,75 ± 0.6

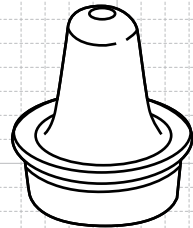
Cases Per Pallet:
160

Box Dimensions:
8 1/4 x 8 1/4 x 6 1/2

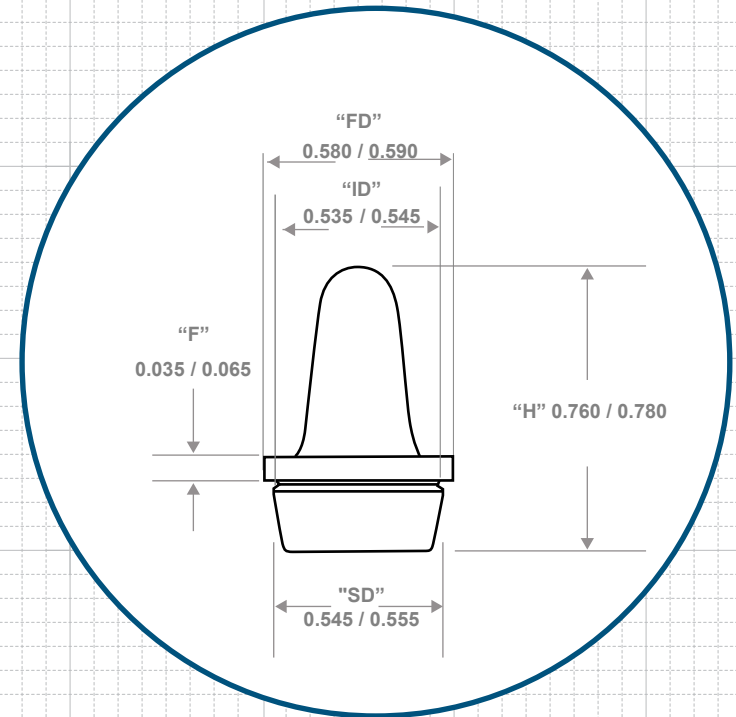
Stock Material:



CLASSIC CONTAINERS INC
1700 S. Hellman Ave.
Ontario, CA 91761
Phone: 909-930-3610
e-mail: info@classiccontainers.com
www.classiccontainers.com



DROPPER TIP DETAIL



RECOMMENDED NECK

LAND AREA MUST BE SMOOTH

