



Drawing:
20 mm Dropper Tip
Uncontrolled Friction Fit
Rib Non Standard

Manufacturing Process:
Injection Molding

Stock Color:
Natural

Gram Weight:
1.05 ± 0.10

Case Pack:
5000

Case Weight (lb):
12.5 ± 1.1

Cases Per Pallet:
45

Box Dimensions:
12 x 12 x 10

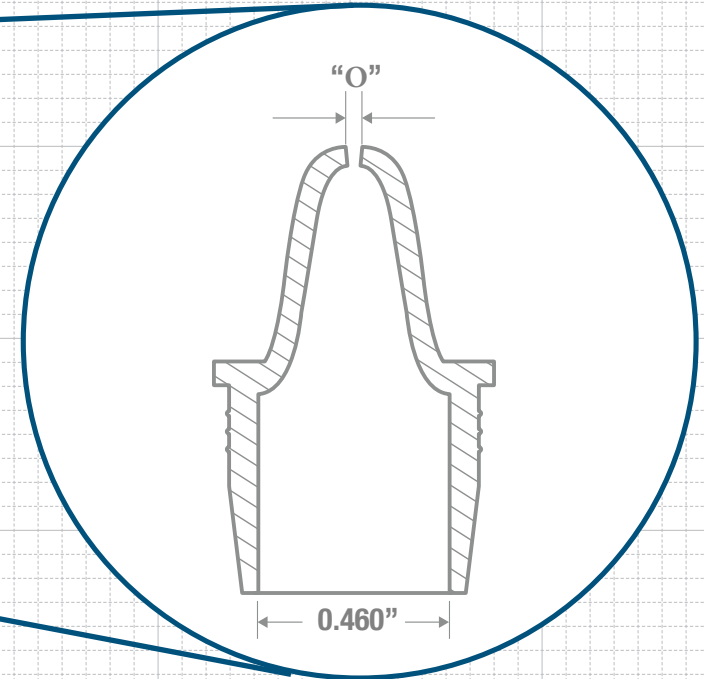
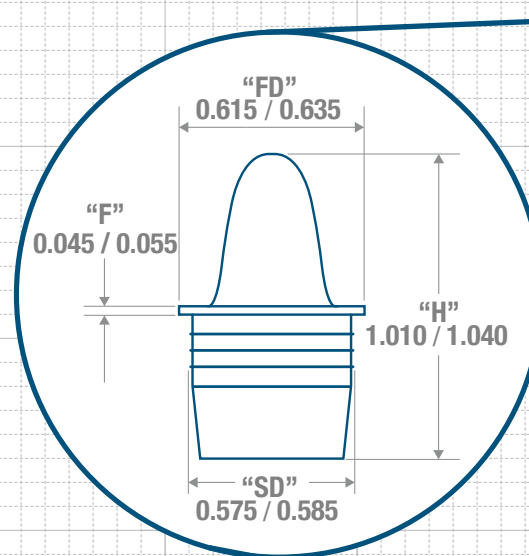
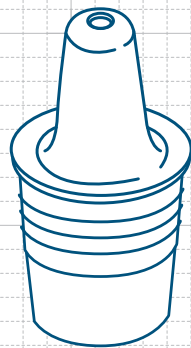
* = "O" ORIFICE OPTIONS:

Stock Code:	Orifice Size:
20T02281004NS30	.030" ± 0.005
20T02281004NS50	.050" ± 0.005

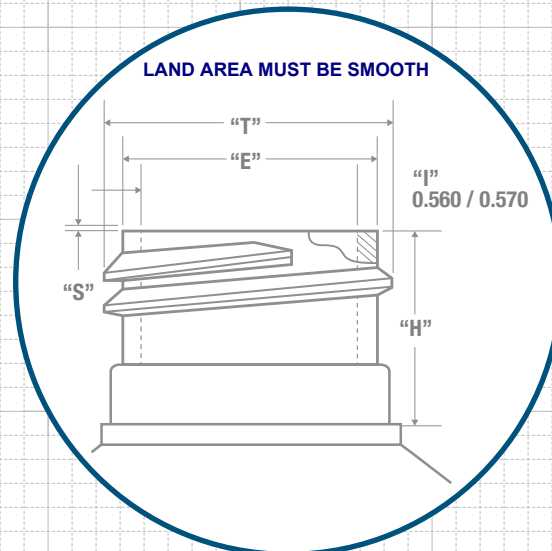
Stock Material:



DROPPER TIP DETAIL



RECOMMENDED NECK FINISH



CLASSIC CONTAINERS INC
 1700 S. Hellman Ave.
 Ontario, CA 91761
 Phone: 909-930-3610
 e-mail: info@classiccontainers.com
 www.classiccontainers.com