



Drawing:
**20/410 Smooth Wall Cap
 F-217**

Manufacturing Process:
Injection Molding

Stock Code:
20S000500000001

Gram Weight
 Smooth Wall Cap: **2.2 ± 0.10**

Smooth wall Cap F-217 Liner:
2.30 ± 0.10

Case Weight (lb)
 Smooth Wall Cap: **30.0 ± 1.3**
 Smooth Wall Cap F-217 Liner:
31.3 ± 1.3

Stock Color :
White, Black, Natural.

Cases pack:
6000

Box Dimensions:
24 x 12 x 12 1/4

Stock Material:

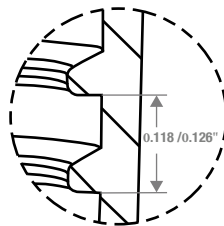
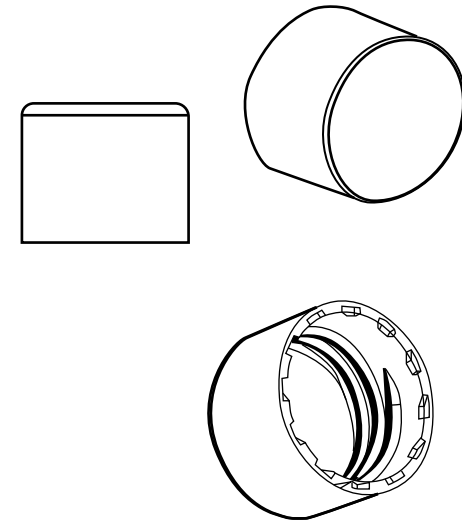
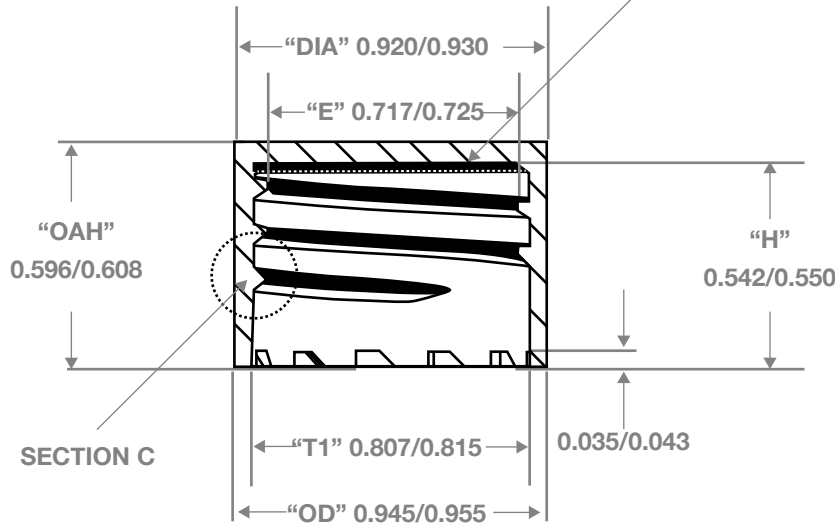


CLASSIC CONTAINERS INC
 1700 S. Hellman Ave.
 Ontario, CA 91761
 Phone: 909-930-3610
 e-mail: info@classiccontainers.com
 www.classiccontainers.com

**20/410 Fine mouth Wall Cap
 (Without Liner)**

Stock Code 20S000500000000

F-217 Liner (0.02 inch)
 Other materials available
 upon request



**Recommended Neck Finish
 Land Area Must Be Smooth**

