



Drawing:
**20/410 Fine Ribbed Wall Cap
F-217 Liner**

Manufacturing Process:
Injection Molding

Stock Code:
20R000500000001

Gram Weight:
Ribbed Wall Cap: **1.4 ± 0.10**
Ribbed wall Cap F-217 Liner:
1.50 ± 0.10

Case Weight (lb):
Ribbed Cap: **19.5 ± 1.3**
Ribbed Wall Cap F-217 Liner:
20.8 ± 1.3

Stock Color :
White, Black, Natural.

Cases pack:
6000

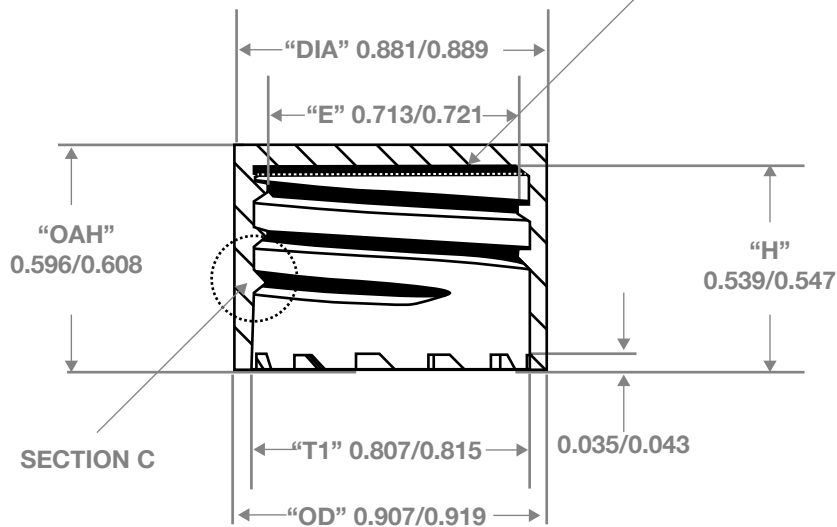
Box Dimensions:
24 x 12 x 12 1/4

Stock Material:



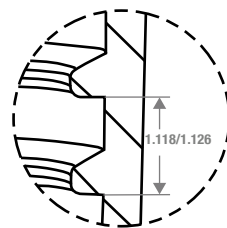
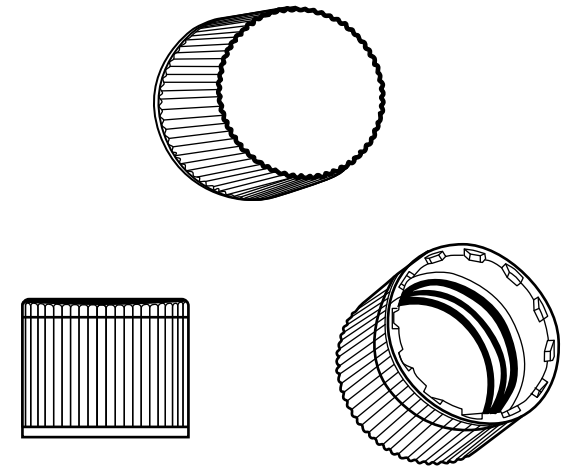
CLASSIC CONTAINERS INC
1700 S. Hellman Ave.
Ontario, CA 91761
Phone: 909-930-3610
e-mail: info@classiccontainers.com
www.classiccontainers.com

F-217 Liner (0.02 inch)
Other materials available
upon request



**20/410 Fine Ribbed Wall Cap
(Without Liner)**

Stock Code 20R000500000000



**Recommended Neck Finish
Land Area Must Be Smooth**

