



Drawing:  
200 ml Flask 24/410

Stock Code:  
020001690240000

Manufacturing Process:  
Stretch Blow Molding

Overflow Capacity:  
208 - 220 ml (7.05- 7.45 oz)

Gram Weight:  
21 ± 1

Neck Finish:  
24/410

Base Width (A): Base Width (C):  
2.819 ± 0.050 / 1.339 ± 0.004

Overall Height (B):  
5.315 ± 0.04

Max Print Area (Height):

Max Print Area (Width):

Case Pack: 288

Case Weight (lb): 15.5 ± 0.6

Cases Per Pallet: 25

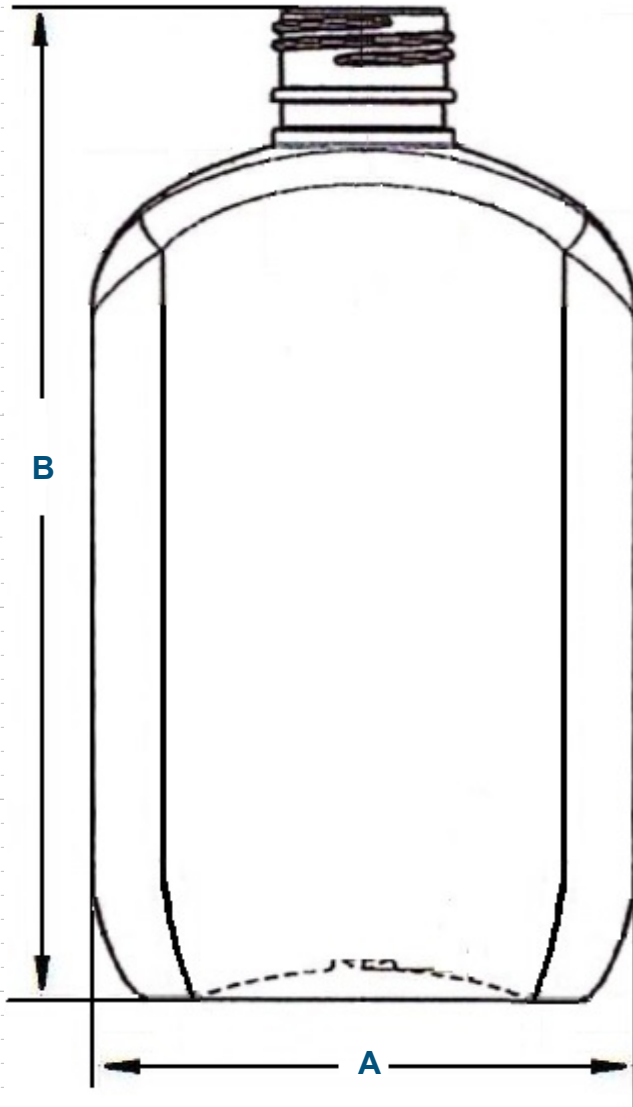
Box Dimensions:  
23 5/8 x 15 9/16 x 17

Stock Material:

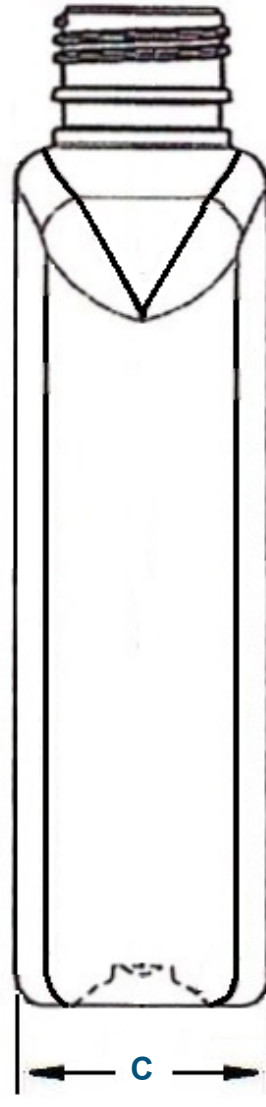


**CLASSIC CONTAINERS INC**  
1700 S. Hellman Ave.  
Ontario, CA 91761  
Phone: 909-930-3610  
e-mail: info@classiccontainers.com  
www.classiccontainers.com

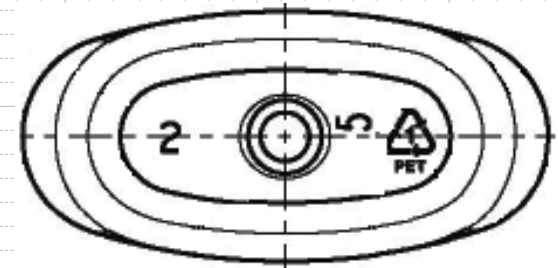
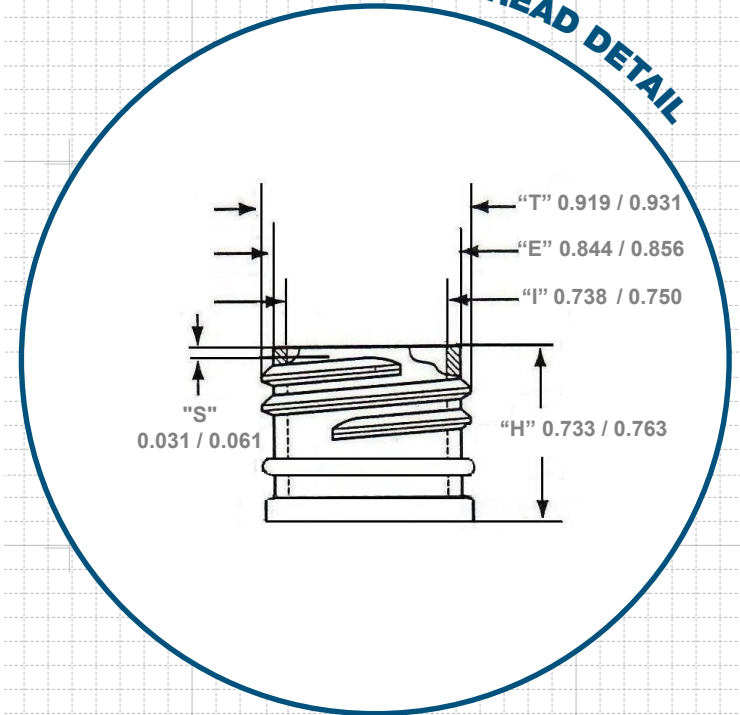
FRONT VIEW



SIDE VIEW



NECK & THREAD DETAIL



BOTTOM VIEW

