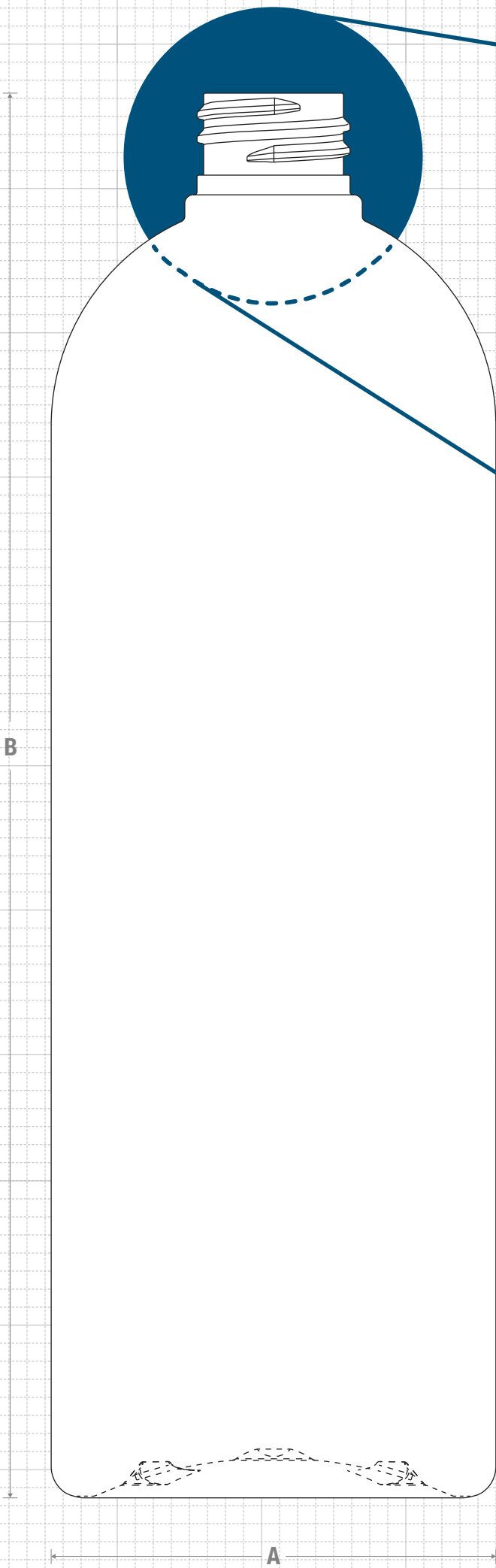
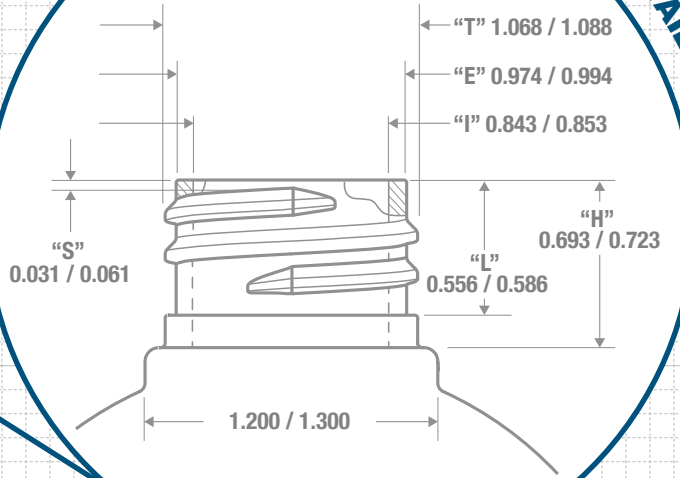


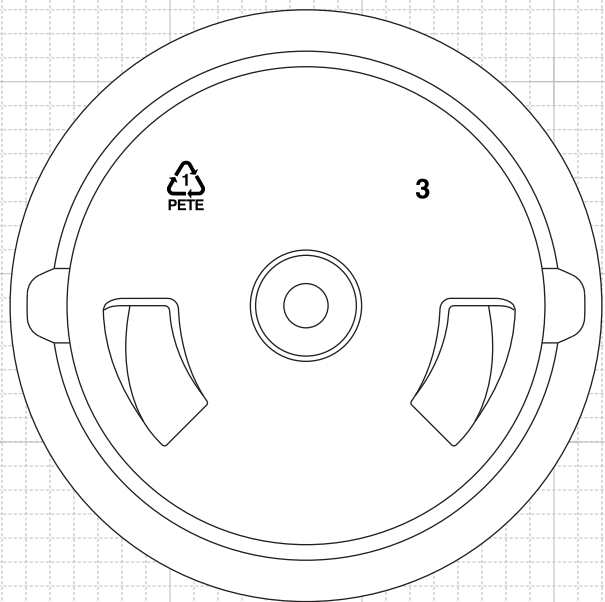
**FRONT VIEW**



**NECK & THREAD DETAIL**





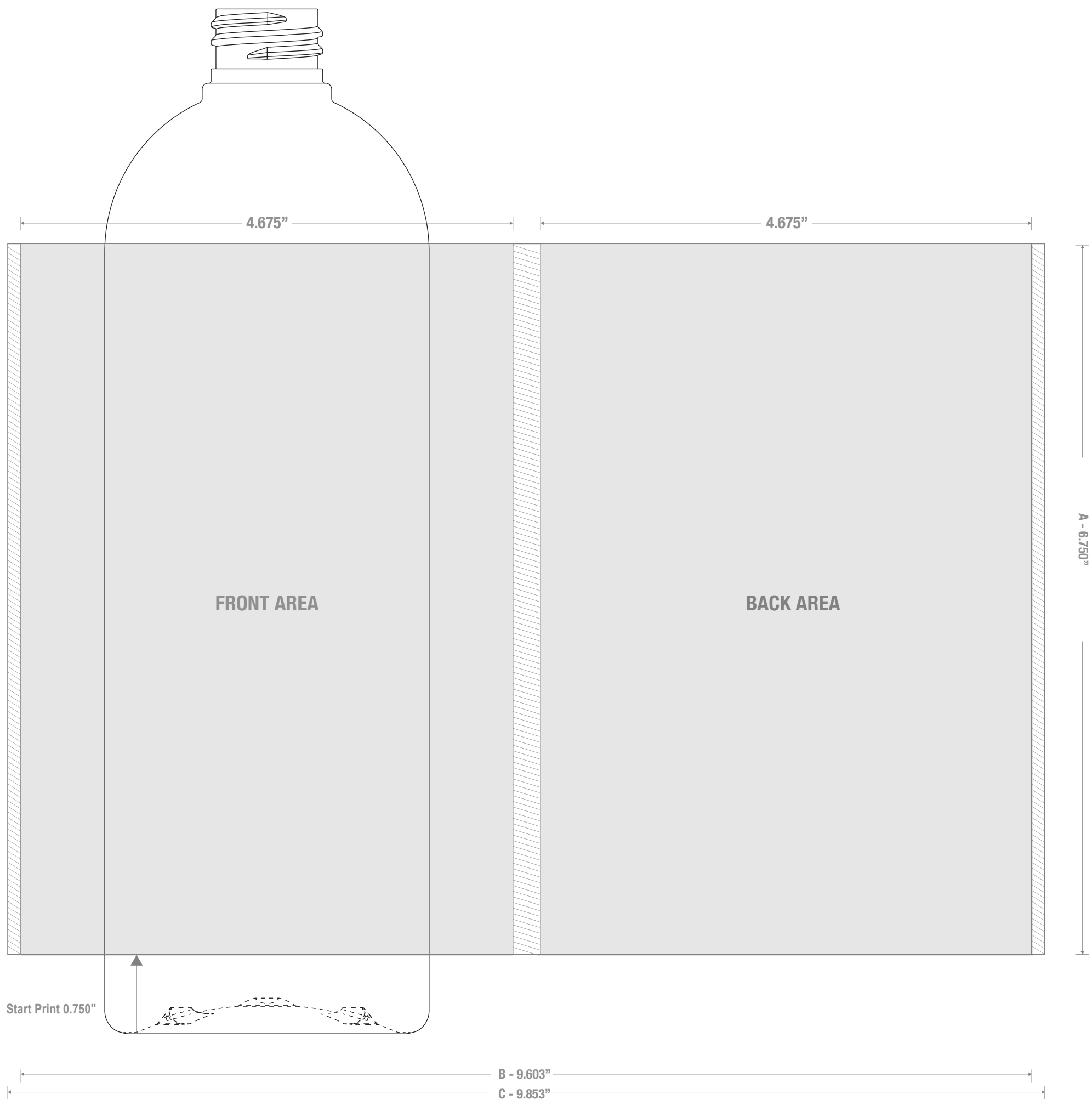
**BOTTOM VIEW**



A

B

 <b>CLASSIC CONTAINERS INC</b> 1700 S. Hellman Ave. Ontario, CA 91761 Phone: 909-930-3610 e-mail: info@classiccontainers.com www.classiccontainers.com	Drawing: <b>1ltr Imperial Round 28/410</b>	Gram Weight: <b>53 ± 2</b>	Max Print Area (Height): <b>6.750"</b>	Cases Per Pallet: <b>16</b>
	Stock Code: <b>1LTR00050281700</b>	Neck Finish: <b>28/410</b>	Max Print Area (Width): <b>9.603"</b>	Box Dimensions: <b>24 7/16 x 18 1/2 x 23</b>
	Manufacturing Process: <b>Stretch Blow Molding</b>	Base Width (A): <b>3.132 ± 0.05</b>	Case Pack: <b>98</b>	Stock Material: 
	Overflow Capacity: <b>34.6 - 35.4 oz (1020.7- 1044.3 ml)</b>	Overall Height (B): <b>9.783 ± 0.05</b>	Case Weight (lb): <b>14.4 ± 0.40</b>	Rev #5 - 02/2017 Drawing not exactly to size.



1700 S Hellman Ave, Ontario, California 91761  
Phone: (909) 930-3610 | Fax: (909) 930-3640  
e-mail: info@classiccontainers.com  
[www.classiccontainers.com](http://www.classiccontainers.com)

Printing over a mold part line is discouraged due to the fact that may lead to missing characters or un-printed.