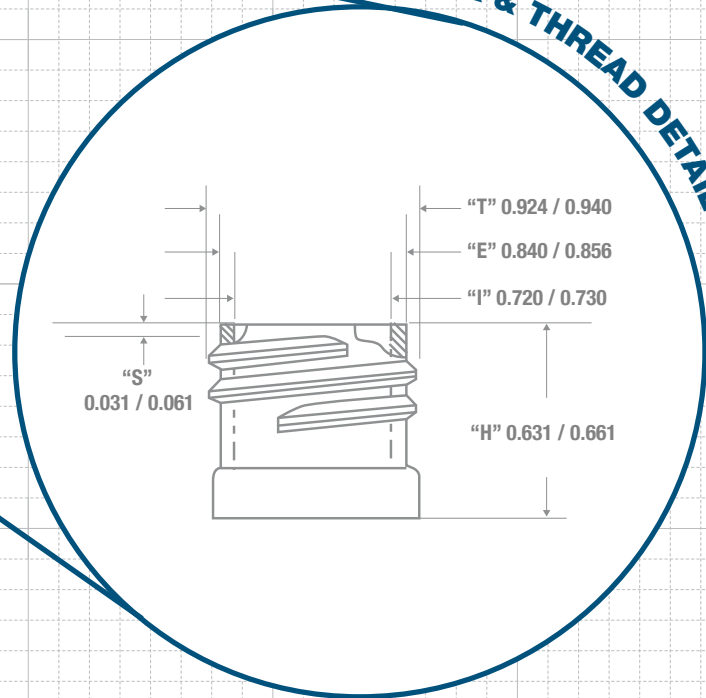
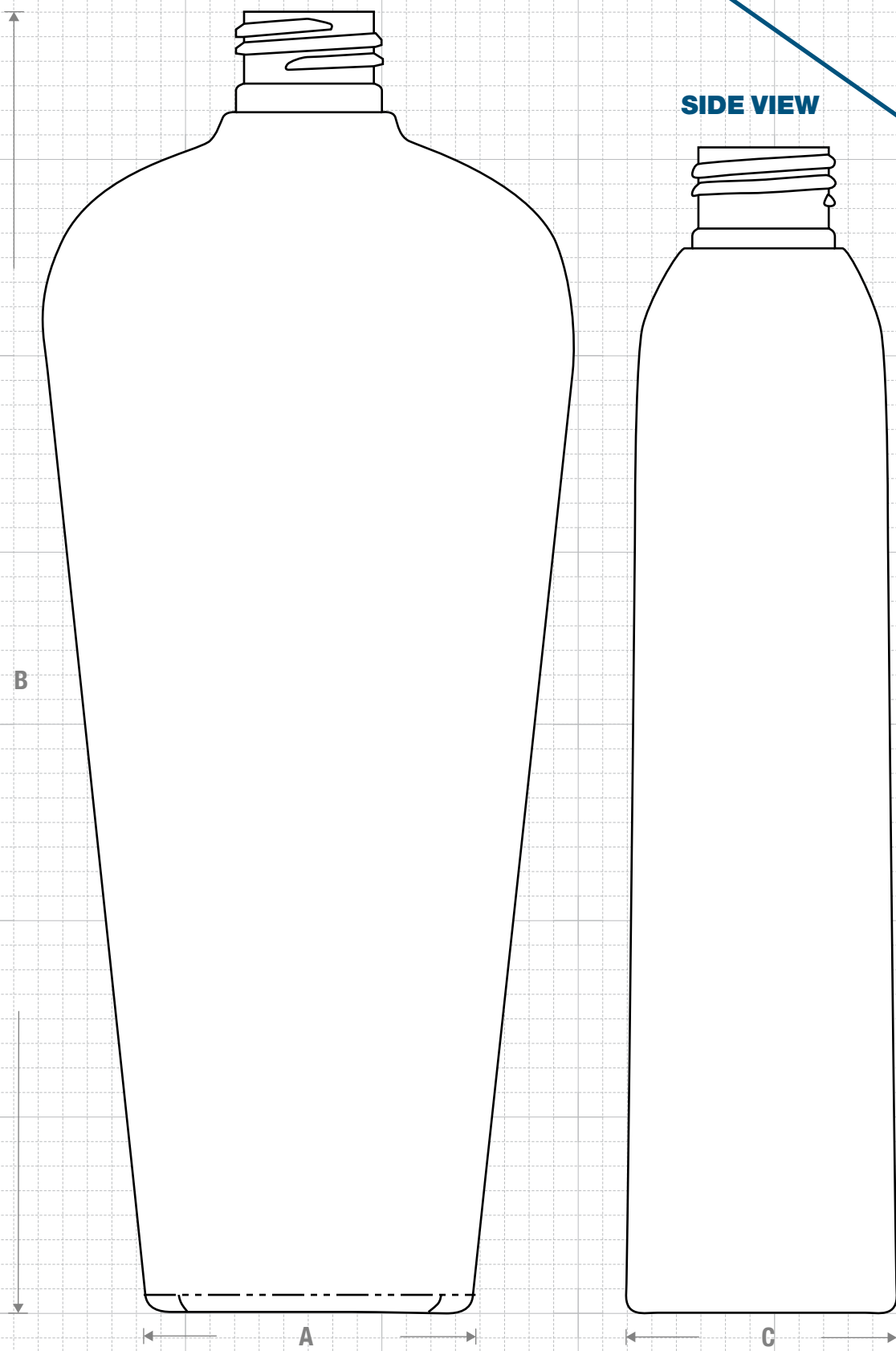


NECK & THREAD DETAIL



FRONT VIEW

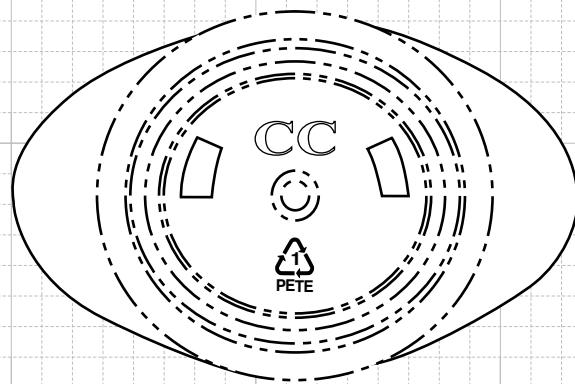
SIDE VIEW



Recommended Plugs for this bottle



FRICTION FIT



BOTTOM VIEW



CLASSIC CONTAINERS INC
 1700 S. Hellman Ave.
 Ontario, CA 91761
 Phone: 909-930-3610
 e-mail: info@classiccontainers.com
 www.classiccontainers.com

Drawing:
16 oz Vail Oval 24/410

Gram Weight:
36 ± 1

Max Print Area (Height):
6.000"

Cases Per Pallet: **16**

Stock Code:
001600100241700

Neck Finish:
24/410

Max Print Area (Width):
 Shoulder: **2.000"** Base: **1.200"**

Box Dimensions:
24 7/16 x 18 1/2 x 23

Manufacturing Process:
Stretch Blow Molding

Base Width (A) Base Deep (C):
2.150 ± 0.050 1.950 ± 0.050

Case Pack: **184**

Stock Material:



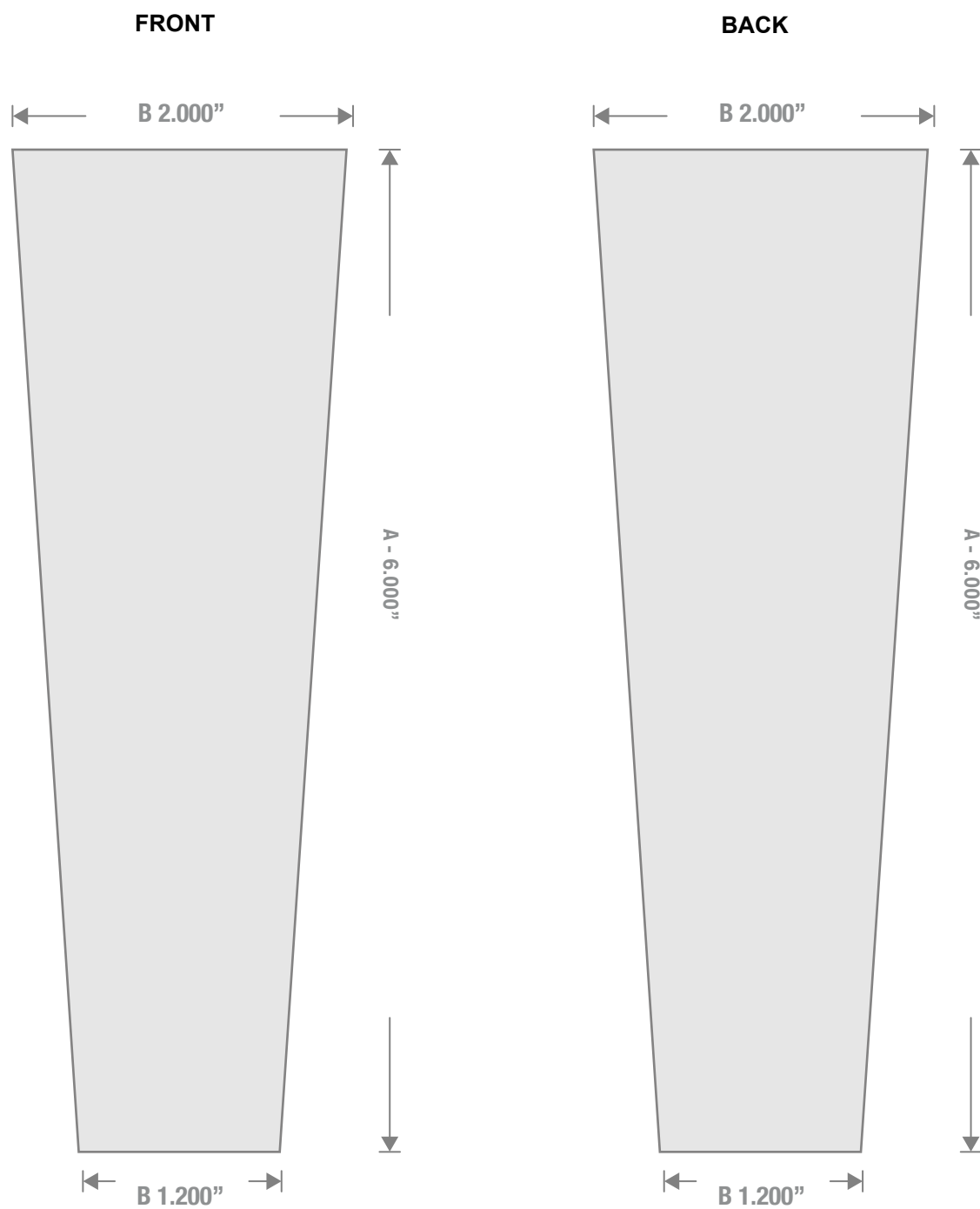
Overflow Capacity:
504 - 528 ml (17.1 - 17.9 oz)

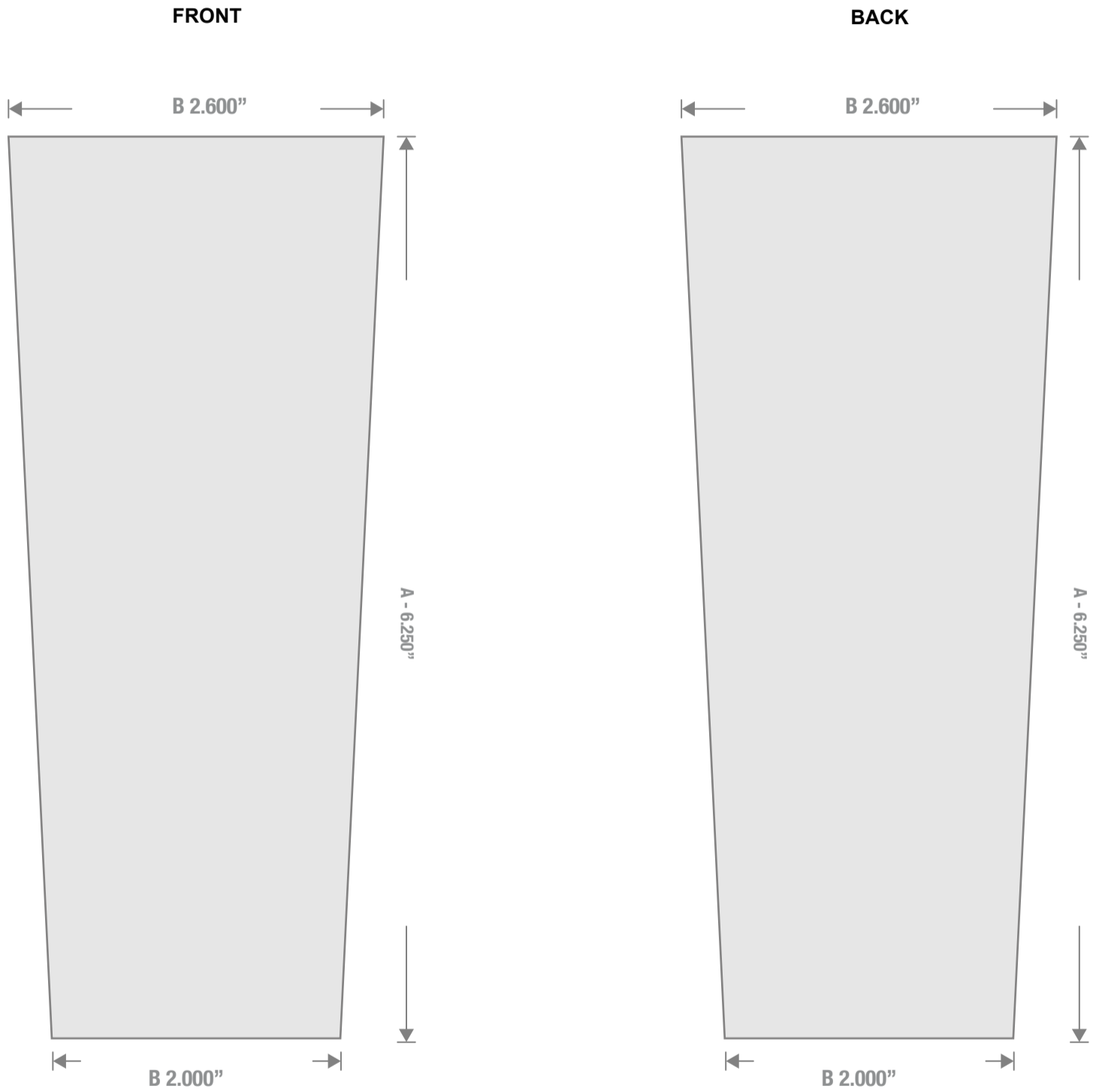
Overall Height (B):
8.540 ± 0.050

Case Weight (lb): **17.5 ± 0.4**

Rev #3 01/2016

Drawing not exactly to size.





1700 S Hellman Ave, Ontario, California 91761
Phone: (909) 930-3610 | Fax: (909) 930-3640
e-mail: info@classiccontainers.com
www.classiccontainers.com

A - Total Height.
B - Max. Decorating Area.