



Drawing:
15mm Snap/on Cap

Stock Color:
Natural

Manufacturing Process:
Injection Blow Molding

Overflow Capacity:
N/A

Gram Weight:
0.45 ± 0.02

Neck Finish:
15mm

Base Width (A):
N/A

Overall Height (B):
N/A

Max Print Area (Height):
N/A

Max Print Area (Width):
N/A

Case Pack: **3500**

Case Weight (lb): **3.92 ± 0.15**

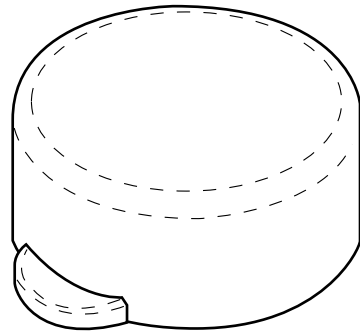
Cases Per Pallet: **N/A**

Box Dimensions:
8 x 8 x 6.5

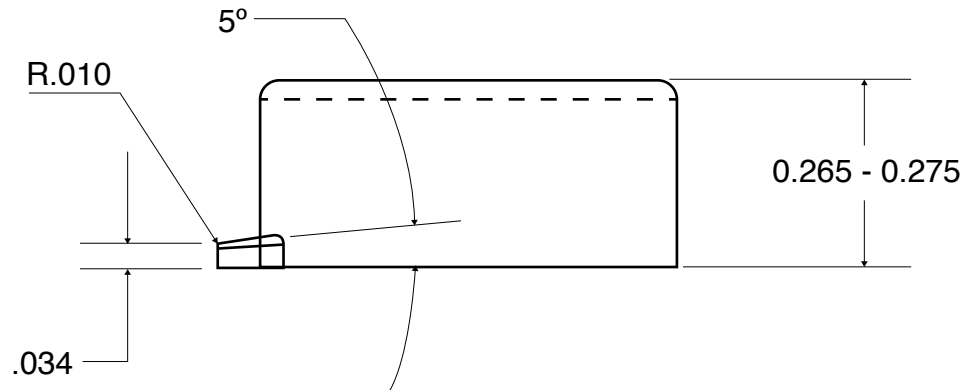
Stock Material:



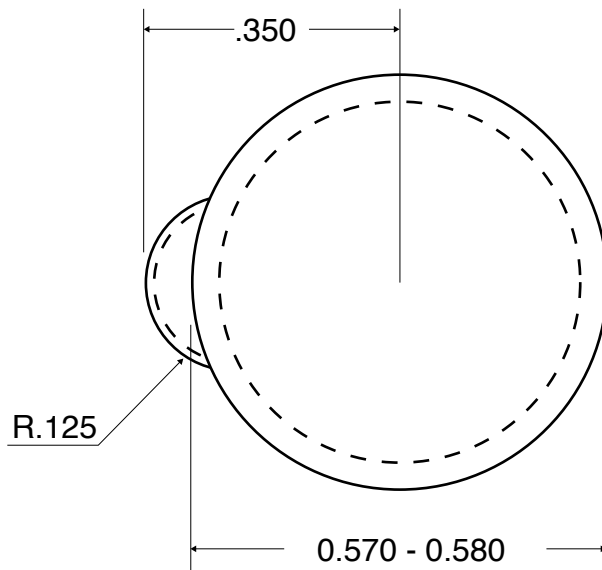
CLASSIC CONTAINERS INC
1700 S. Hellman Ave.
Ontario, CA 91761
Phone: 909-930-3610
e-mail: info@classiccontainers.com
www.classiccontainers.com



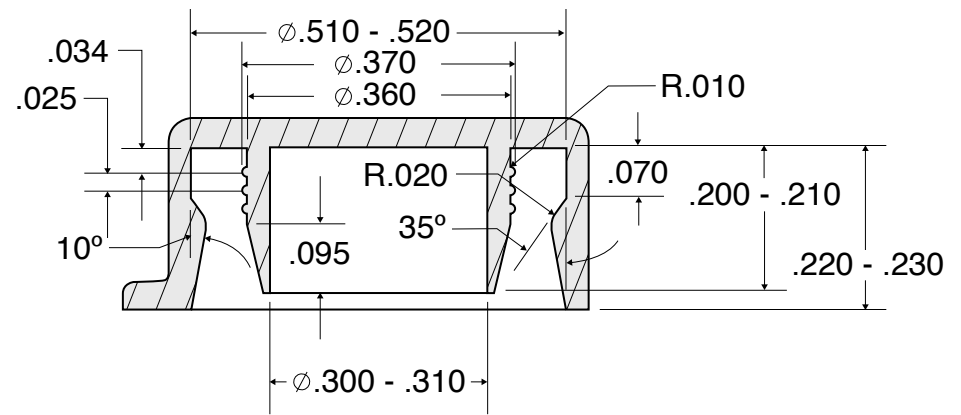
ISOMETRIC VIEW



SIDE VIEW



TOP VIEW



SIDE VIEW