



Drawing:  
**15 mm Dropper Tip Round  
end Uncontrolled Snap Fit**

Stock Code:  
**15T000800020000**

Manufacturing Process:  
**Injection Molding**

Color:  
**Natural**

Gram Weight:  
**0.30 ± 0.05**

Case Pack 1: 4800  
Case Pack 2: 2500

Case Weight (lb):  
**3.6 ± 0.5**

Cases Per Pallet:  
160

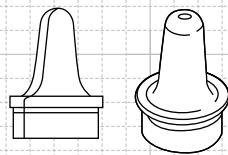
Box Dimensions 1:  
**8 1/4 x 8 1/4 x 6 1/2**

Box Dimensions 2:  
**8 x 8 x 4 1/2**

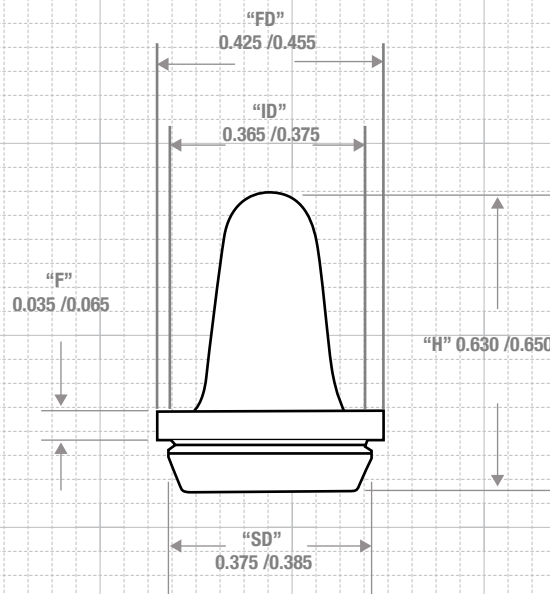
Stock Material:



**CLASSIC CONTAINERS INC**  
1700 S. Hellman Ave.  
Ontario, CA 91761  
Phone: 909-930-3610  
e-mail: info@classiccontainers.com  
[www.classiccontainers.com](http://www.classiccontainers.com)



**ACTUAL SIZE**



**RECOMENDED NECK FINISH**  
LAND AREA MUST BE SMOOTH

