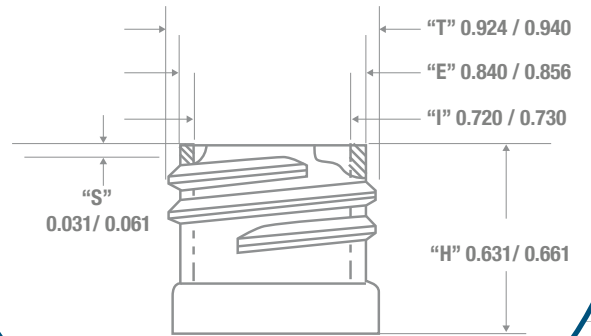
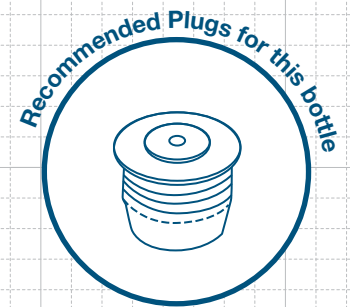
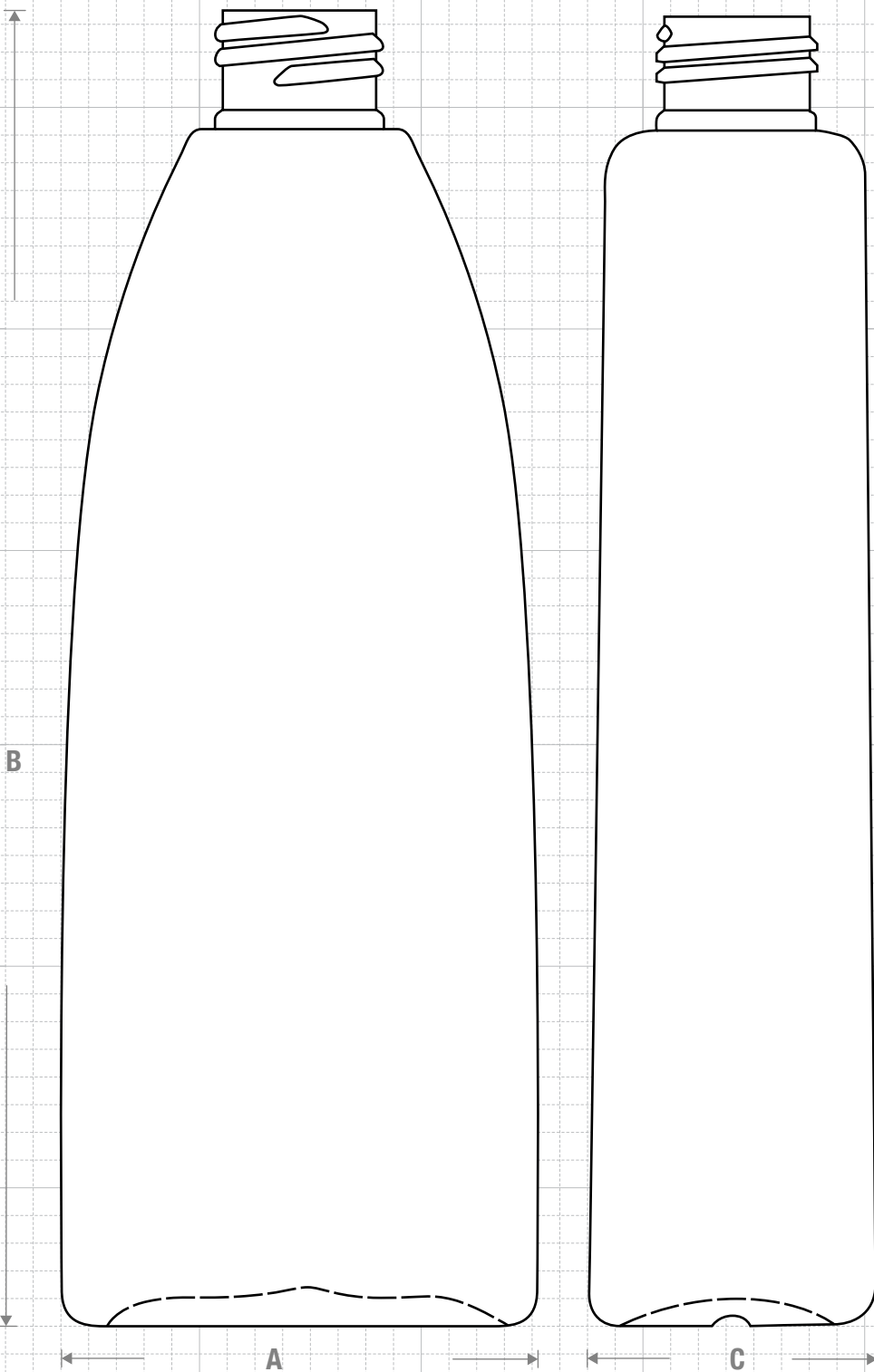


**NECK & THREAD DETAIL**

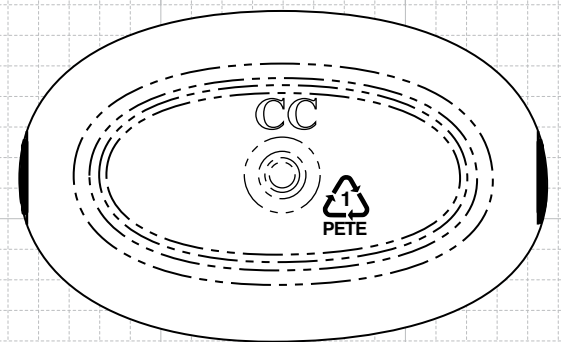


**FRONT VIEW**

**SIDE VIEW**



**FRICTION FIT**

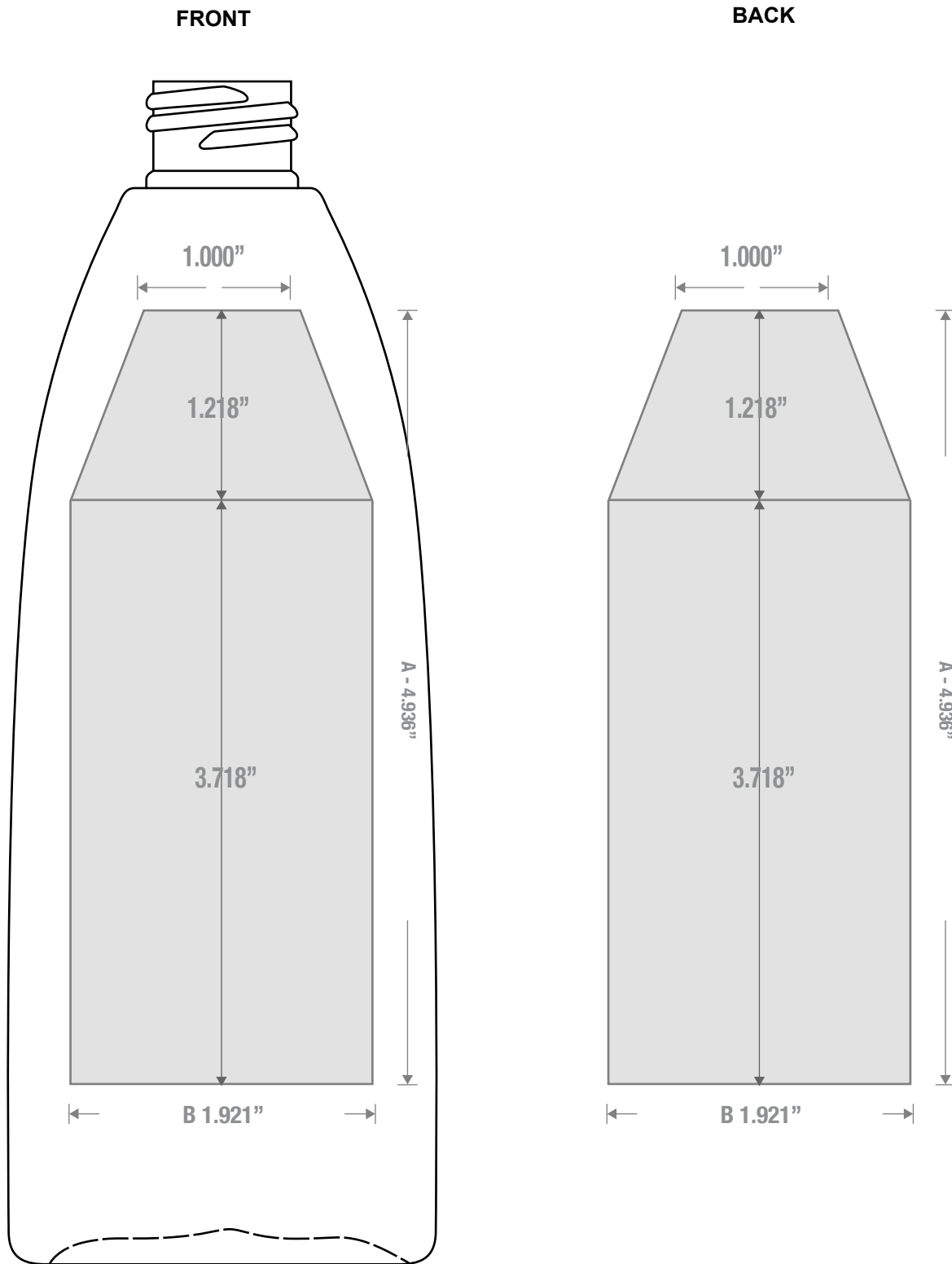


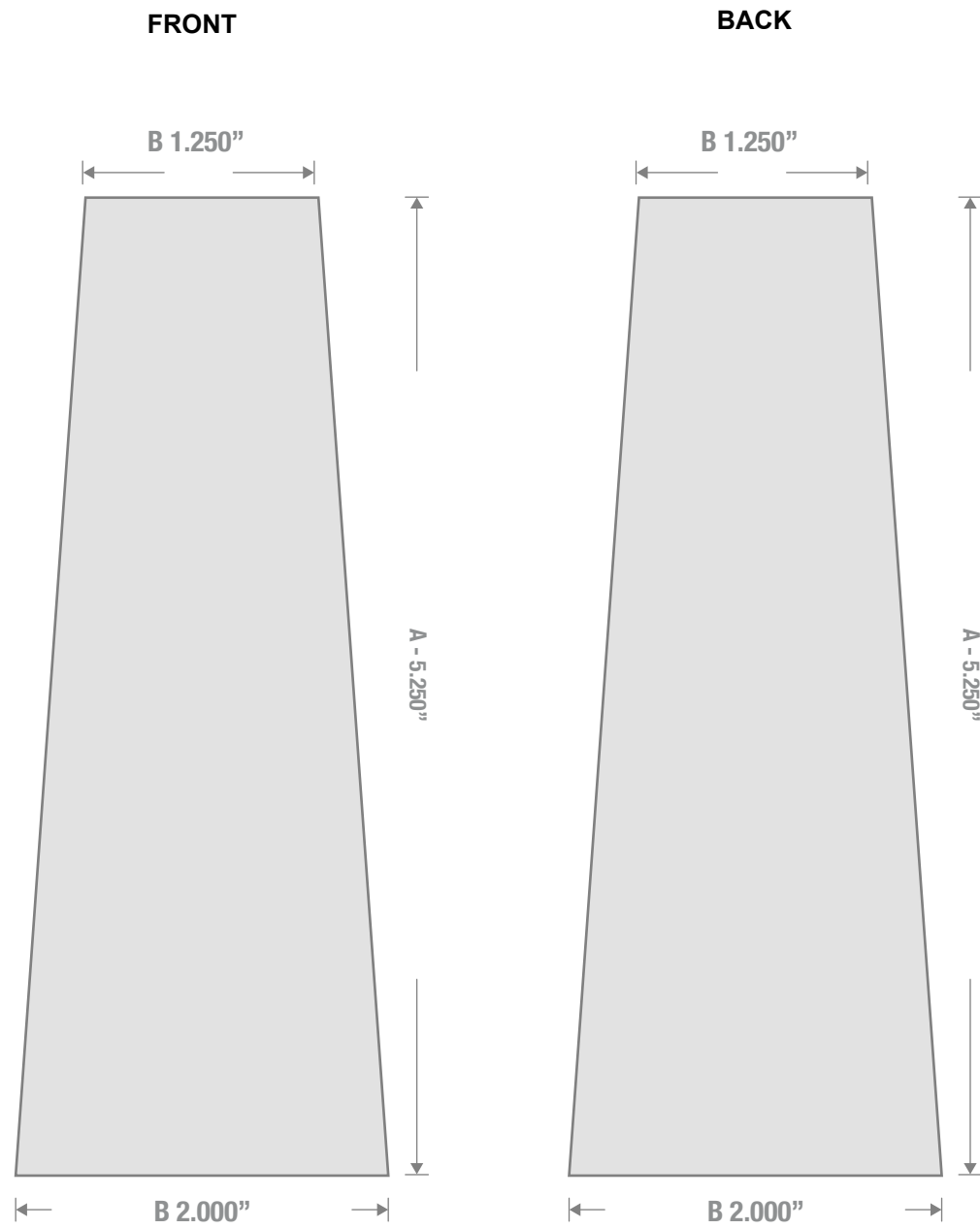
**BOTTOM VIEW**



**CLASSIC CONTAINERS INC**  
 1700 S. Hellman Ave.  
 Ontario, CA 91761  
 Phone: 909-930-3610  
 e-mail: info@classiccontainers.com  
 www.classiccontainers.com

Drawing: <b>12 oz Teardrop 24/410</b>	Gram Weight: <b>31 ± 1</b>	Max Print Area (Height): <b>4.936"</b>	Cases Per Pallet: <b>16</b>
Stock Code: <b>001200350241700</b>	Neck Finish: <b>24/410</b>	Max Print Area (Width): Shoulder: <b>1.000"</b> Base: <b>1.921"</b>	Box Dimensions: <b>24 7/16 x 18 1/2 x 23</b>
Manufacturing Process: <b>Stretch Blow Molding</b>	Base Width (A) Base Deep (C): <b>2.751± 0.050 1.770± 0.050</b>	Case Pack: <b>288</b>	Stock Material:
Overflow Capacity: <b>360 - 375 ml (12.2 - 12.8 oz)</b>	Overall Height (B): <b>7.531 ± 0.050</b>	Case Weight (lb): <b>22.6 ± 0.6</b>	Rev #2 02/2016 Drawing not exactly to size.





1700 S Hellman Ave, Ontario, California 91761  
Phone: (909) 930-3610 | Fax: (909) 930-3640  
e-mail: [info@classiccontainers.com](mailto:info@classiccontainers.com)  
[www.classiccontainers.com](http://www.classiccontainers.com)

A - Total Height.  
B - Max. Decorating Area.