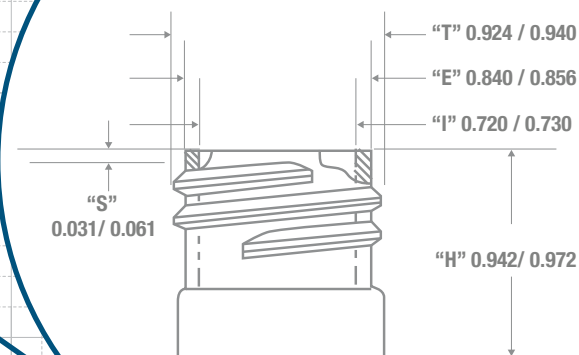
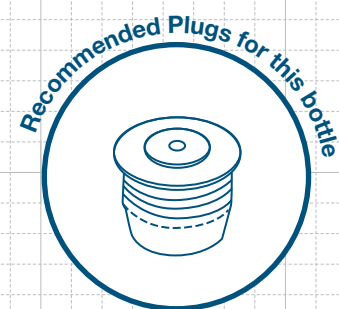
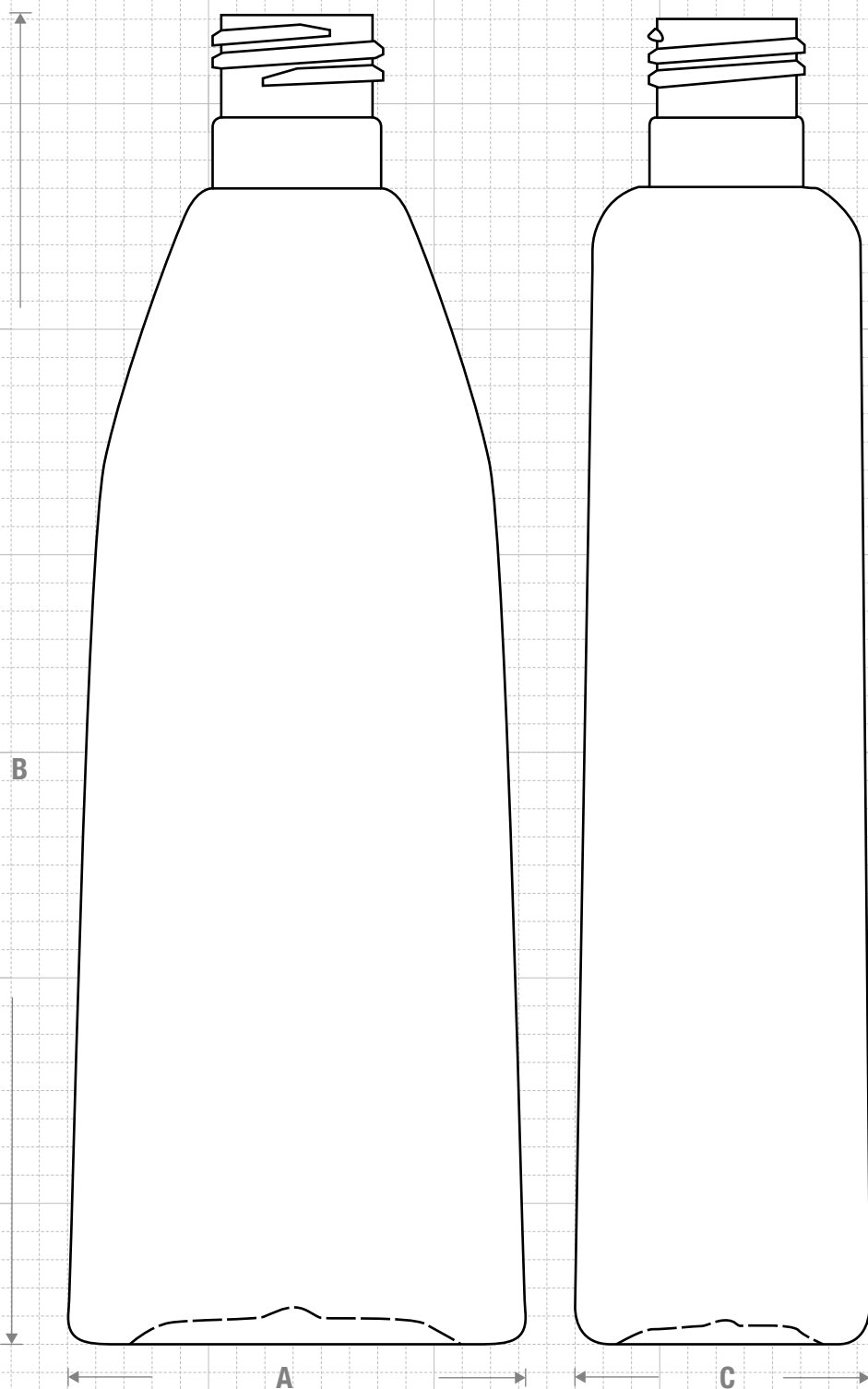


**NECK & THREAD DETAIL**

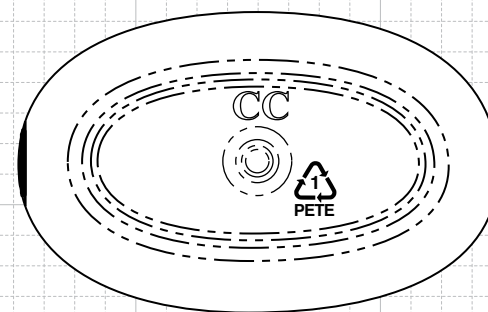


**FRONT VIEW**

**SIDE VIEW**



**FRICITION FIT**



**BOTTOM VIEW**



**CLASSIC CONTAINERS INC**  
 1700 S. Hellman Ave.  
 Ontario, CA 91761  
 Phone: 909-930-3610  
 e-mail: info@classiccontainers.com  
 www.classiccontainers.com

Drawing:  
**10 oz Teardrop 24/415**

Gram Weight:  
**25 ± 1**

Max Print Area (Height):  
**5.000"**

Cases Per Pallet: **16**

Stock Code:  
**001000350251700**

Neck Finish:  
**24/415**

Max Print Area (Width):  
 Shoulder: **0.850"** Base: **1.750"**

Box Dimensions:  
**24 7/16 x 18 1/2 x 23**

Manufacturing Process:  
**Stretch Blow Molding**

Base Width (A) Base Deep (C):  
**2.500± 0.050 1.740± 0.050**

Case Pack: **336**

Stock Material:



Overflow Capacity:  
**304 - 310 ml (10.2 - 10.8 oz)**

Overall Height (B):  
**7.500 ± 0.050**

Case Weight (lb): **21.4 ± 0.7**

Rev #3 02/2016

Drawing not exactly to size.

