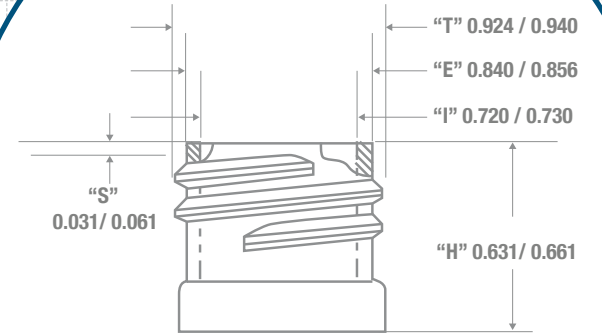
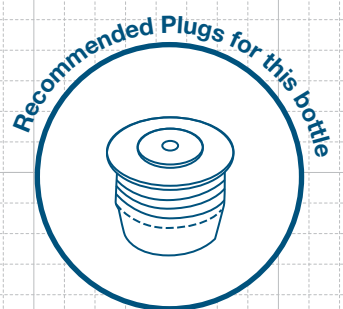
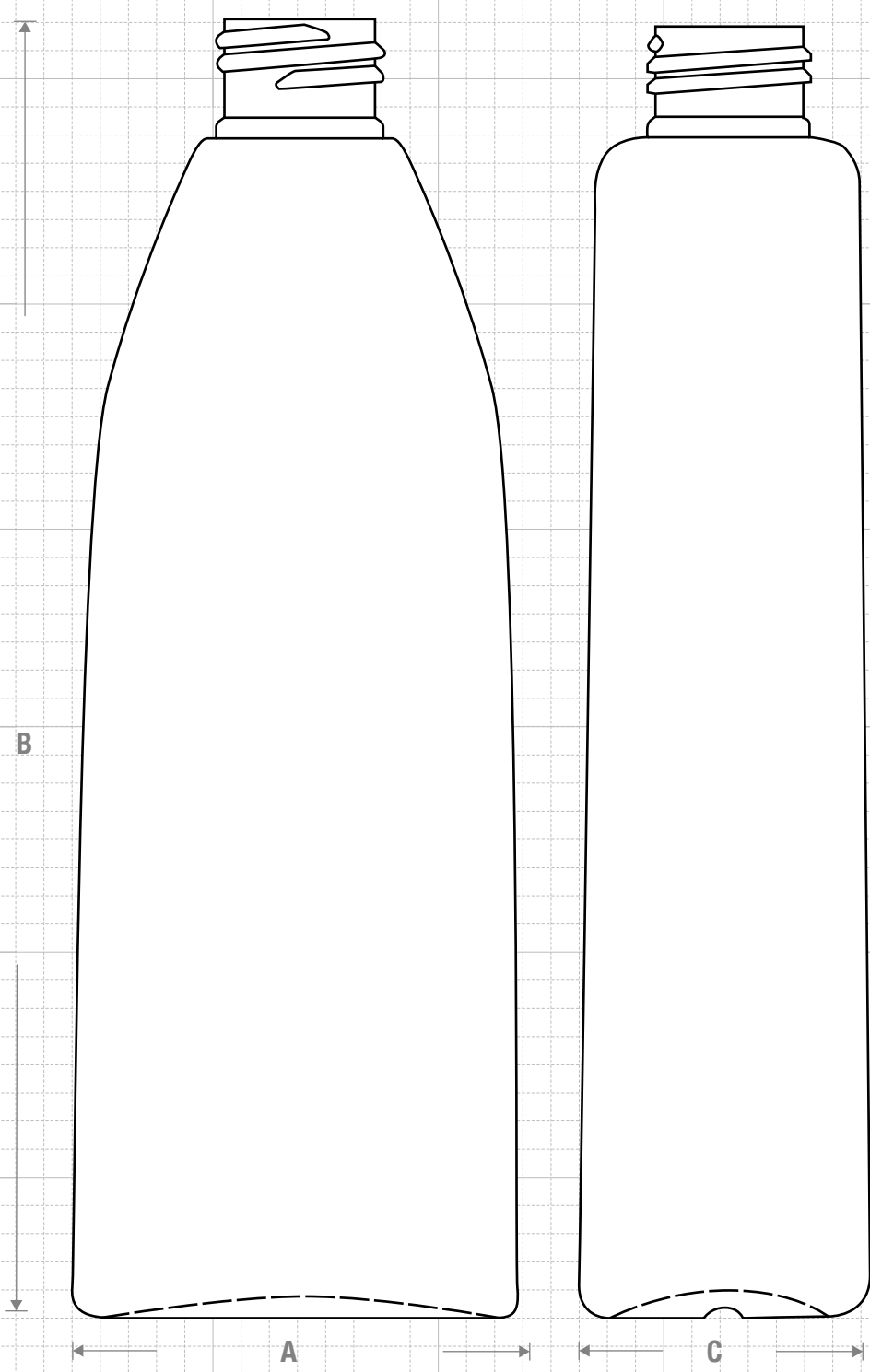


NECK & THREAD DETAIL

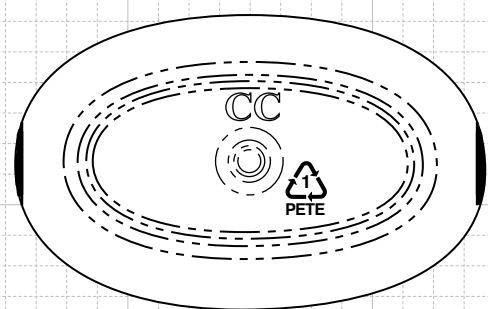


FRONT VIEW

SIDE VIEW



FRICTION FIT



BOTTOM VIEW



CLASSIC CONTAINERS INC
 1700 S. Hellman Ave.
 Ontario, CA 91761
 Phone: 909-930-3610
 e-mail: info@classiccontainers.com
 www.classiccontainers.com

Drawing: 10 oz Teardrop 24/410	Gram Weight: 25 ± 1	Max Print Area (Height): 5.000"	Cases Per Pallet: 16
Stock Code: 001000350241700	Neck Finish: 24/410	Max Print Area (Width): Shoulder: 0.850" Base: 1.750"	Box Dimensions: 24 7/16 x 18 1/2 x 23
Manufacturing Process: Stretch Blow Molding	Base Width (A) Base Deep (C): 2.500 ± 0.050 1.740 ± 0.050	Case Pack: 324	Stock Material:
Overflow Capacity: 298 - 316 ml (10.1 - 10.7 oz)	Overall Height (B): 7.250 ± 0.050	Case Weight (lb): 21.0 ± 0.7	Rev #3 02/2016 Drawing not exactly to size.

