



Drawing:  
**100 ml Flask 24/410**

Stock Code:  
**010001690240000**

Manufacturing Process:  
**Stretch Blow Molding**

Overflow Capacity:  
**108 - 116 ml (3.66 - 3.93 oz)**

Gram Weight:  
**12.5 ± 0.8**

Neck Finish:  
**24/410**

Base Width (A): Base Width (C):  
**2.252 ± 0.050 / 1.071 ± 0.004**

Overall Height (B):  
**4.398 ± 0.04**

Max Print Area (Height):

Max Print Area (Width):

Case Pack: **516**

Case Weight (lb): **16.3 ± 0.9**

Cases Per Pallet: **25**

Box Dimensions:  
**23 5/8 x 15 9/16 x 17**

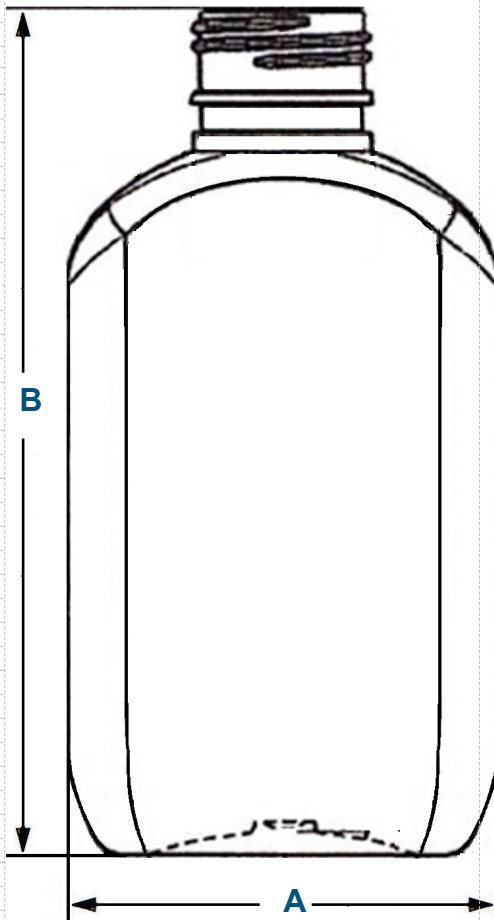
Stock Material:



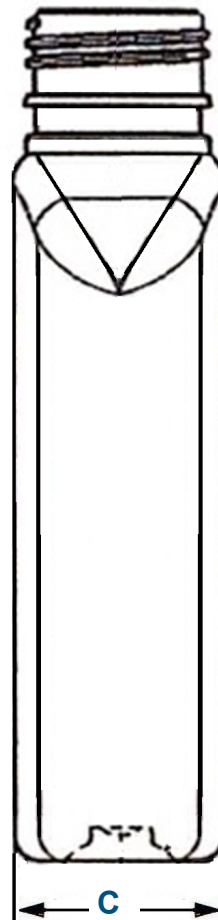
**CLASSIC CONTAINERS INC**  
1700 S. Hellman Ave.  
Ontario, CA 91761  
Phone: 909-930-3610  
e-mail: info@classiccontainers.com  
[www.classiccontainers.com](http://www.classiccontainers.com)



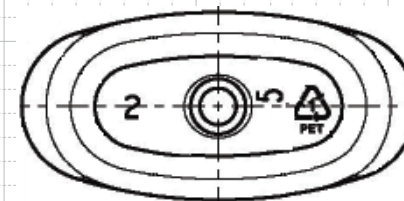
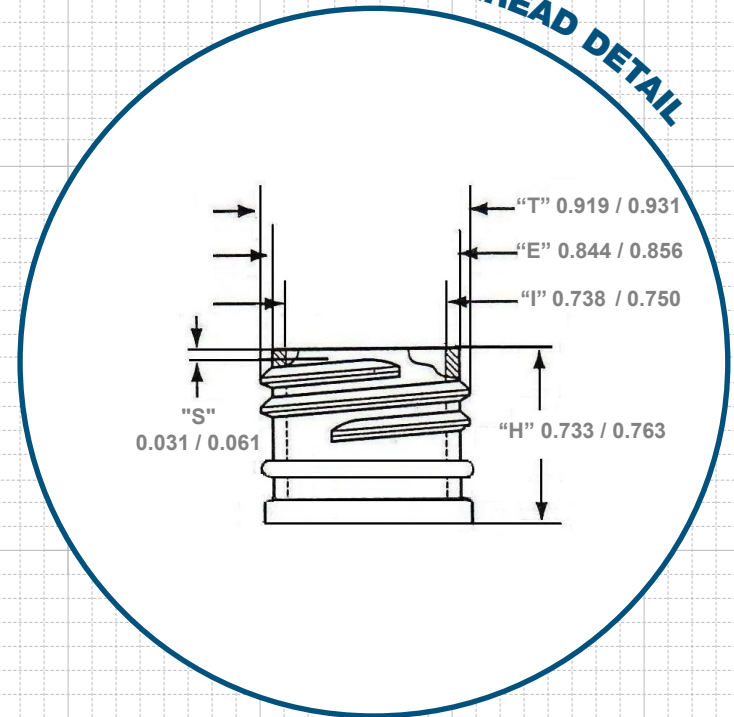
**FRONT VIEW**



**SIDE VIEW**



**NECK & THREAD DETAIL**



**BOTTOM VIEW**