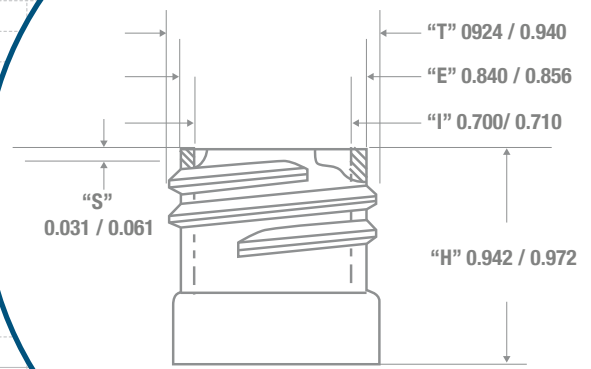
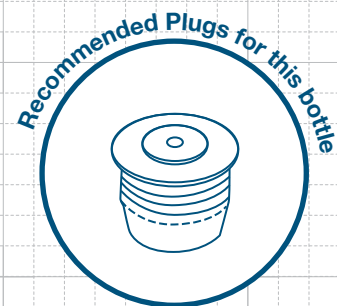
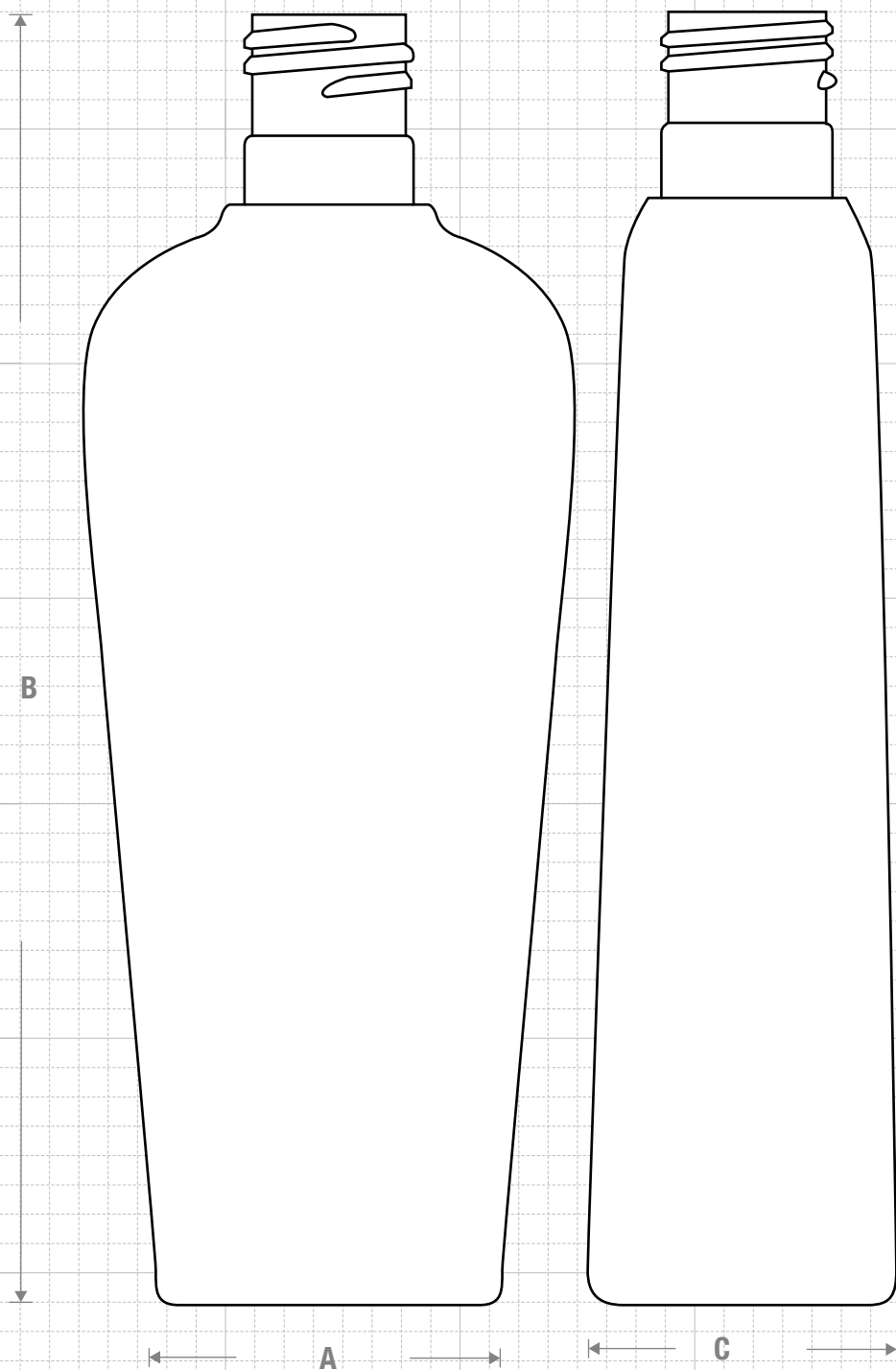


NECK & THREAD DETAIL

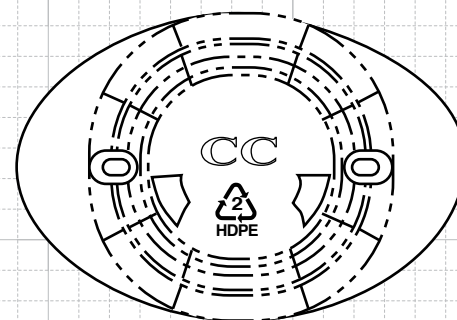


FRONT VIEW

SIDE VIEW



FRICITION FIT



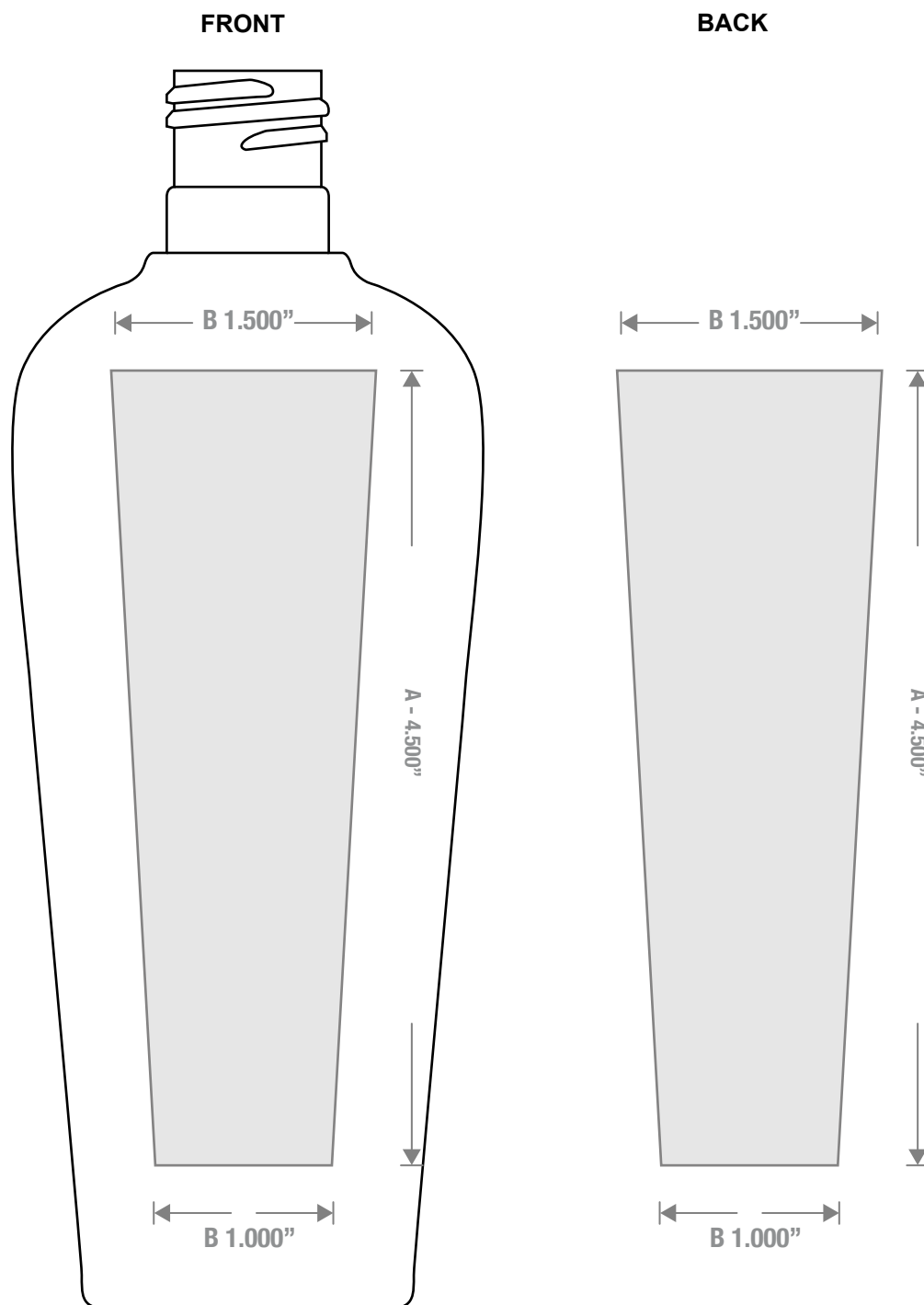
BOTTOM VIEW

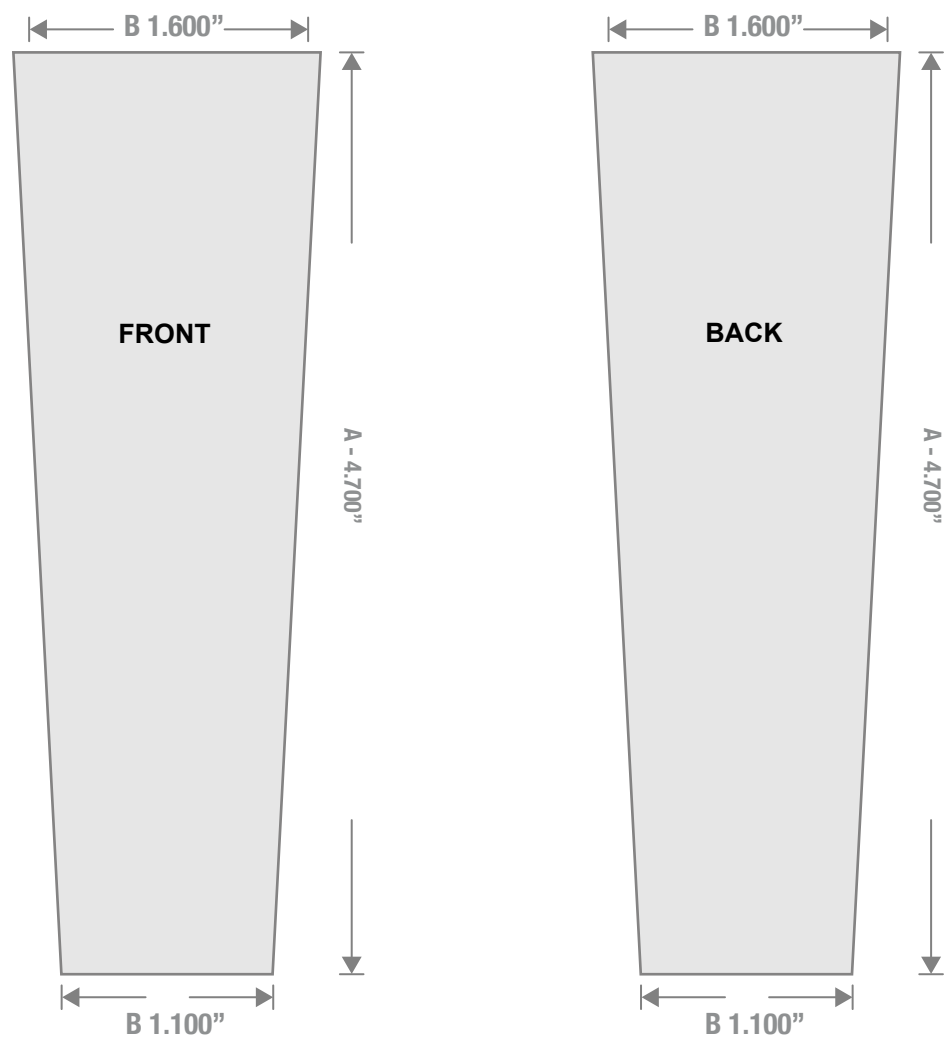
- HDPE
- LDPE
- PP
- OTHER



CLASSIC CONTAINERS INC
 1700 S. Hellman Ave.
 Ontario, CA 91761
 Phone: 909-930-3610
 e-mail: info@classiccontainers.com
 www.classiccontainers.com

Drawing: 8 oz Vail Oval 24/415	Gram Weight: 24 ± 2	Max Print Area (Height): 4.500	Cases Per Pallet: 16
Stock Code: 000800100250000	Neck Finish: 24/415	Max Print Area (Width): Shoulder: 1.500" Base: 1.000"	Box Dimensions: 24 7/16 x 18 1/2 x 23
Manufacturing Process: Extrusion Blow Molding	Base Width (A) Base Deep (C): 1.850± 0.050 1.680± 0.050	Case Pack: 404	Stock Material: HDPE
Overflow Capacity: 239 - 257 ml (8.1- 8.7 oz)	Overall Height (B): 6.976 ± 0.050	Case Weight (lb): 26 ± 2.3	Rev #2 01/2017 Drawing not exactly to size.





1700 S Hellman Ave, Ontario, California 91761
Phone: (909) 930-3610 | Fax: (909) 930-3640
e-mail: info@classiccontainers.com
www.classiccontainers.com

A - Total Height.
B - Max. Decorating Area.