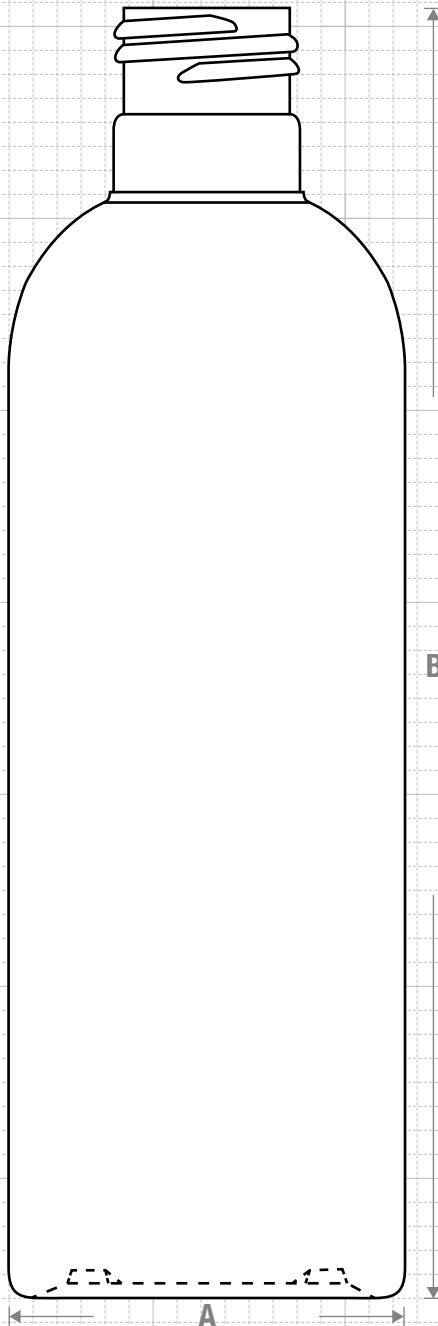




### FRONT VIEW



Drawing:  
**8 oz Royalty Round 24/415**

Stock Code:  
**000800040250000**

Manufacturing Process:  
**Extrusion Blow Molding**

Overflow Capacity:  
**260 - 277 ml (8.8 - 9.4 oz)**

Gram Weight:  
**22 ± 2**

Neck Finish:  
**24/415**

Base Width (A):  
**2.025 ± 0.050**

Overall Height (B):  
**6.540 ± 0.050**

Max Print Area (Height):  
**4.375"**

Max Print Area (Width):  
**6.125"**

Case Pack: **415**

Case Weight (lb): **23.1 ± 1.8**

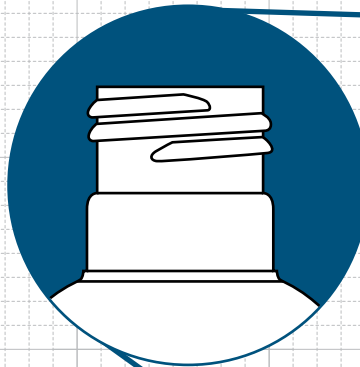
Cases Per Pallet: **16**

Box Dimensions:  
**24 7/16 x 18 1/2 x 23**

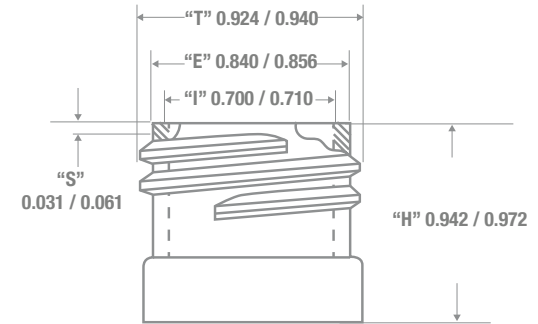
Stock Material:



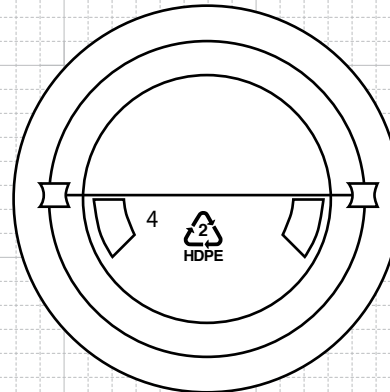
**CLASSIC CONTAINERS INC**  
1700 S. Hellman Ave.  
Ontario, CA 91761  
Phone: 909-930-3610  
e-mail: info@classiccontainers.com  
[www.classiccontainers.com](http://www.classiccontainers.com)



### NECK & THREAD DETAIL



B



### BOTTOM VIEW

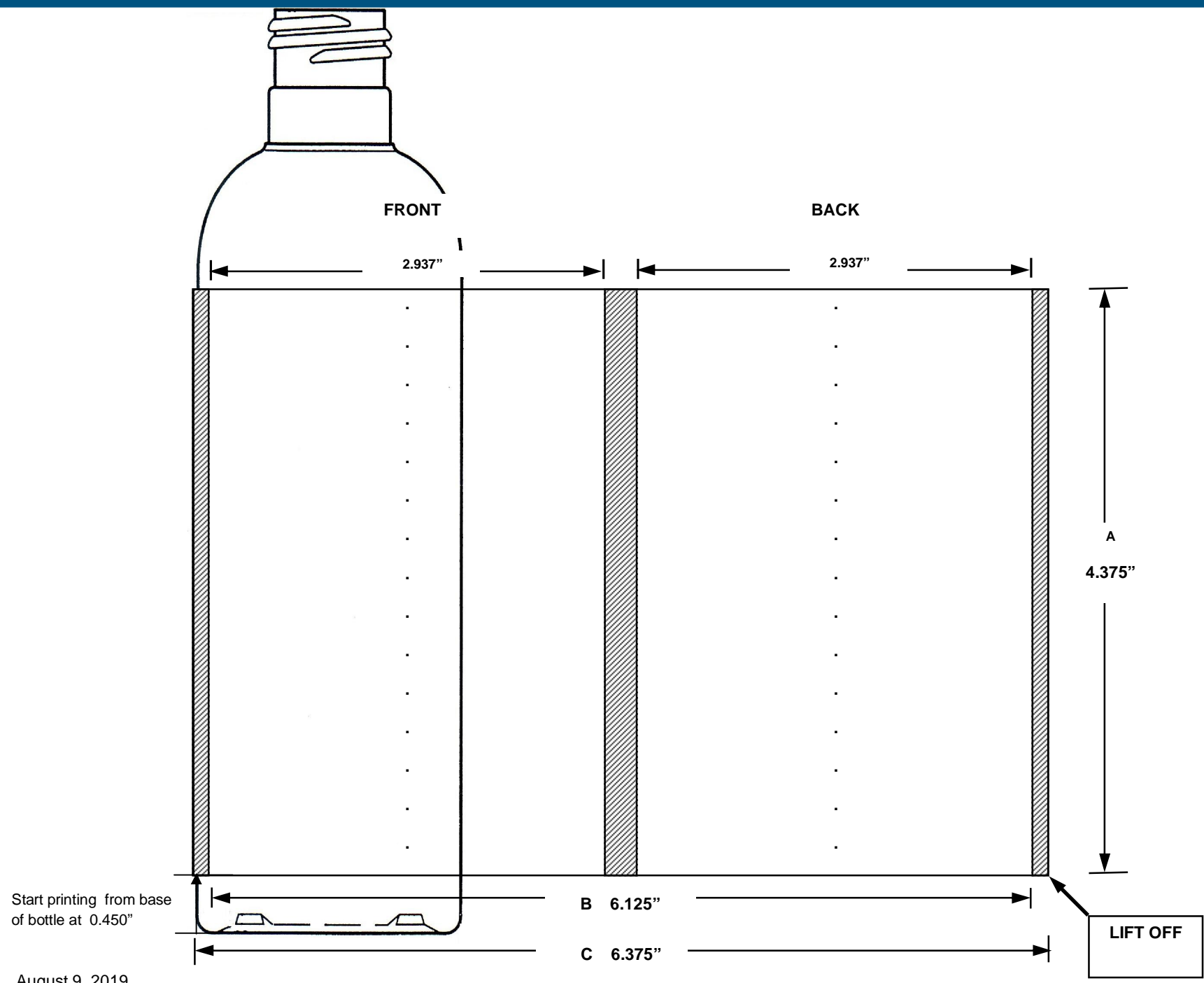
A

Recommended Plugs for this bottle



### FRICTION FIT

PRINTING SPECIFICATIONS: 8 oz Royalty Round 24/415



Rev.1 August 9, 2019

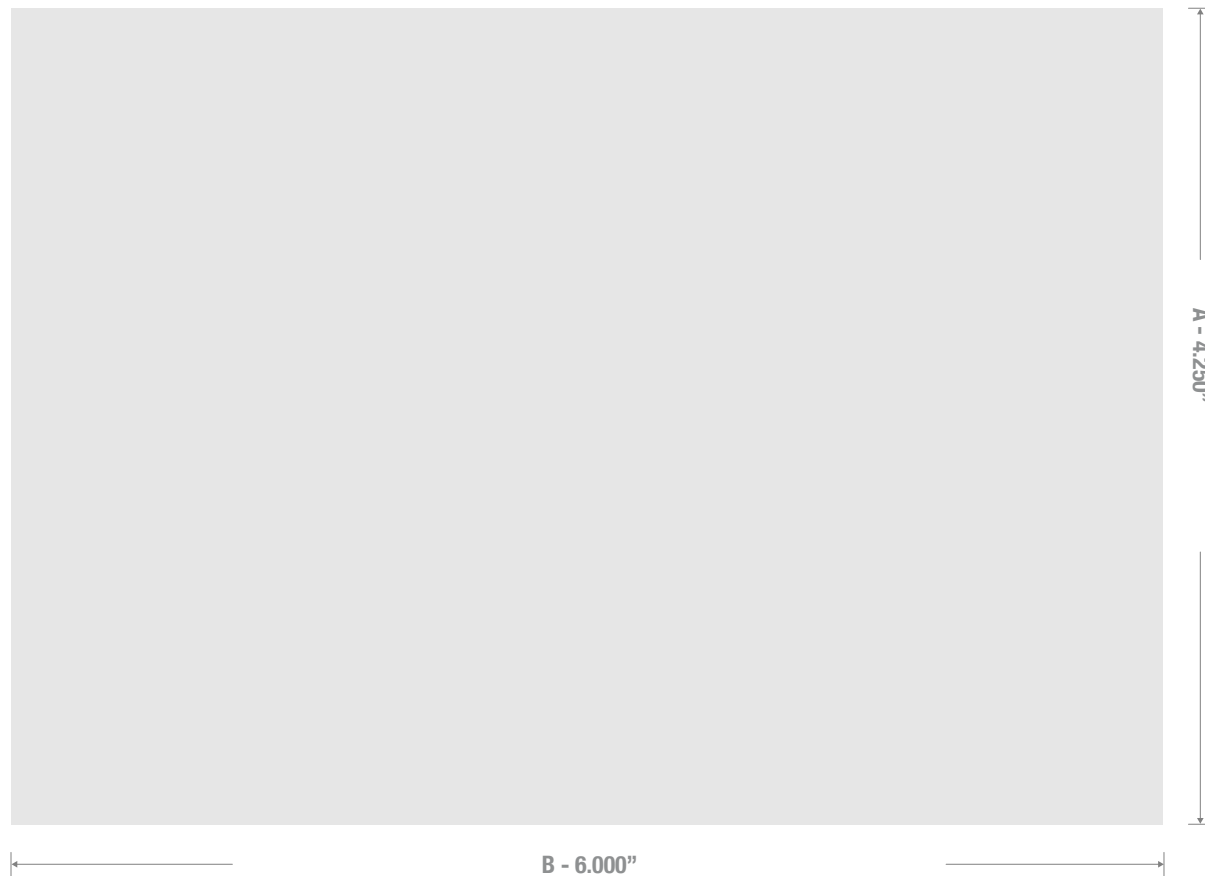


1700 S Hellman Ave, Ontario, California 91761  
 Phone: (909) 930-3610 | Fax: (909) 930-3640  
 e-mail: info@classiccontainers.com  
[www.classiccontainers.com](http://www.classiccontainers.com)

A - Total Height.  
 B - Max. Decorating Area.  
 C - Total bottle circumference.  
 [Shaded Box] - Unprintable area.

Printing over a mold part line is discouraged due to the fact that may lead to missing characters or un-printed.

# LABELING SPECIFICATIONS: 8 oz Royalty Round 24/415



1700 S Hellman Ave, Ontario, California 91761  
Phone: (909) 930-3610 | Fax: (909) 930-3640  
e-mail: [info@classiccontainers.com](mailto:info@classiccontainers.com)  
[www.classiccontainers.com](http://www.classiccontainers.com)

**A - Total Height.**  
**B - Total bottle circumference.**