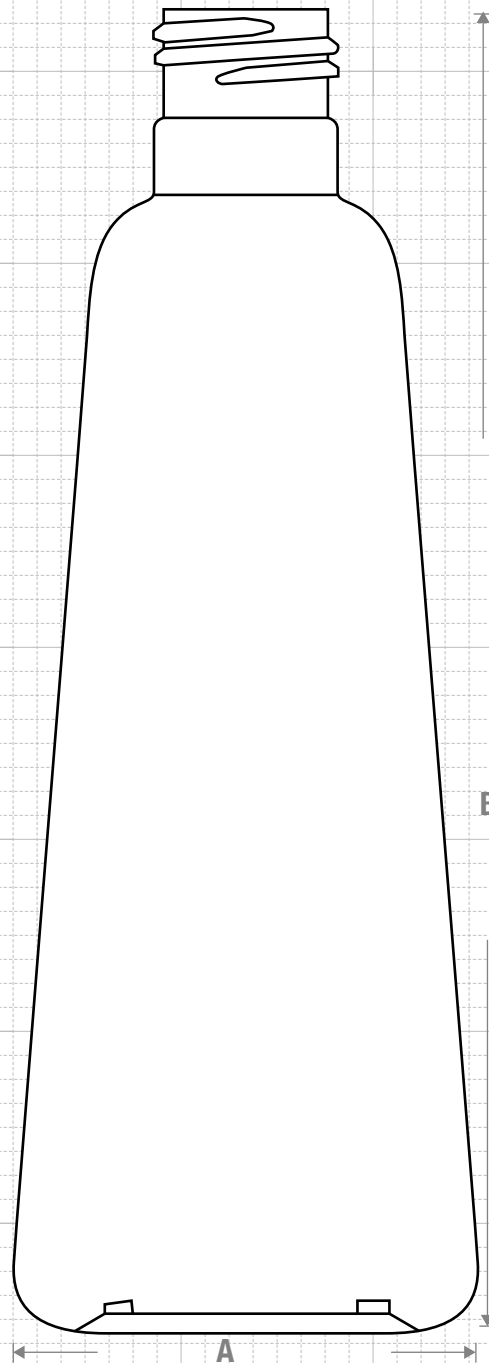




FRONT VIEW



Drawing:
8 oz Mayan 24/415

Stock Code:
000800570250000

Manufacturing Process:
Extrusion Blow Molding

Overflow Capacity:
263 - 280 ml (8.9 - 9.5 oz)

Gram Weight:
20 ± 2

Neck Finish:
24/415

Base Width (A):
2.381 ± 0.050

Overall Height (B):
6.814 ± 0.050

Max Print Area (Height):
4.250"

Max Print Area (Width):
1.625"

Case Pack: 382

Case Weight (lb): 19.7 ± 1.7

Cases Per Pallet: 16

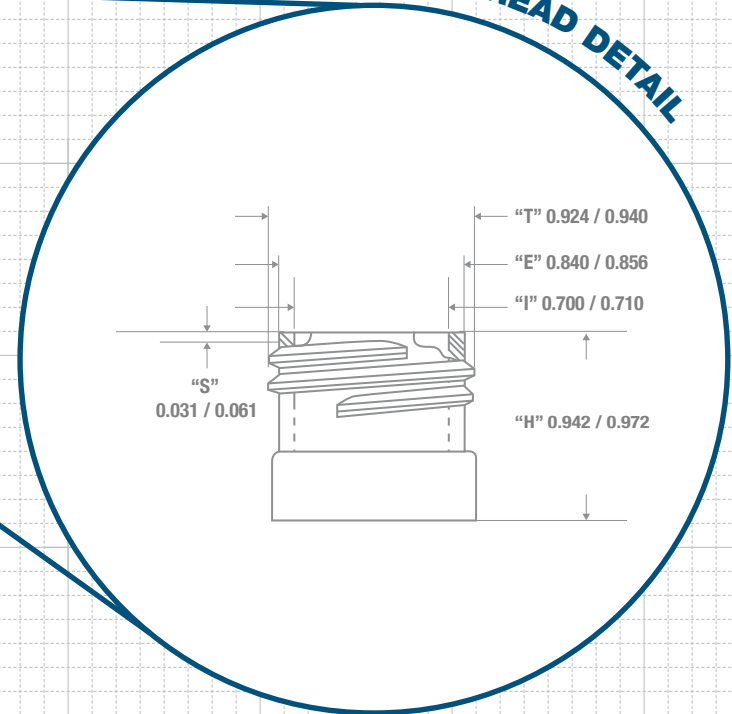
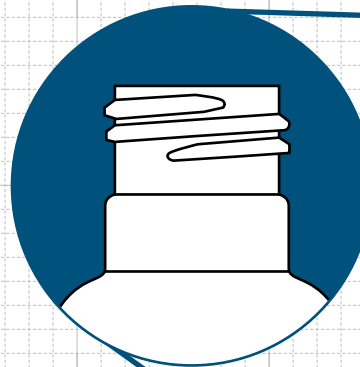
Box Dimensions:
24 7/16 x 18 1/2 x 23

Stock Material:

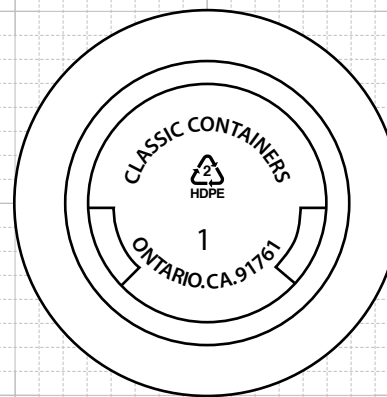


CLASSIC CONTAINERS INC
1700 S. Hellman Ave.
Ontario, CA 91761
Phone: 909-930-3610
e-mail: info@classiccontainers.com
www.classiccontainers.com

NECK & THREAD DETAIL



B



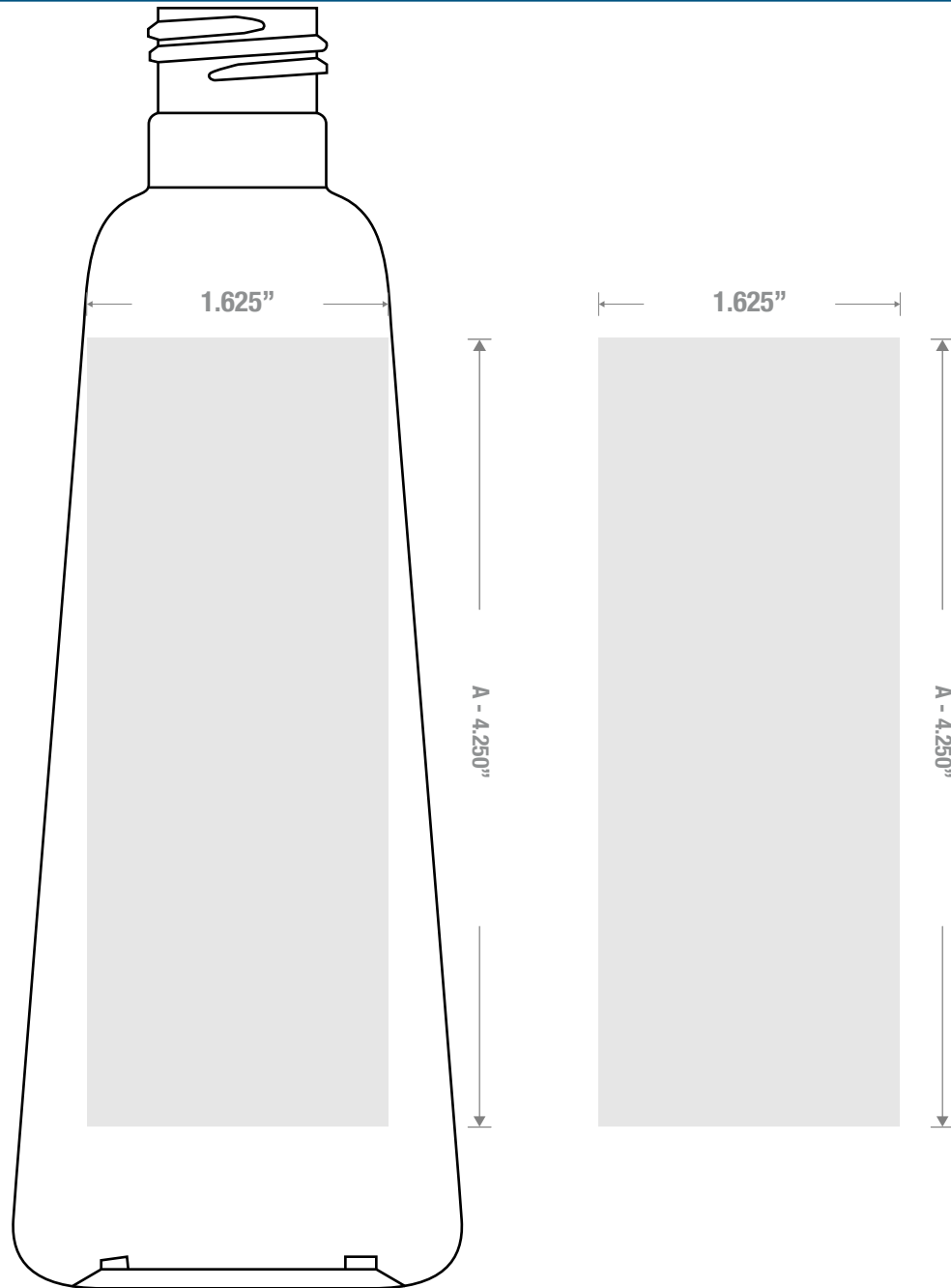
BOTTOM VIEW

Recommended Plugs for this bottle



FRICION FIT

PRINTING SPECIFICATIONS: 8 oz Mayan 24/415



1700 S Hellman Ave, Ontario, California 91761
Phone: (909) 930-3610 | Fax: (909) 930-3640
e-mail: info@classiccontainers.com
www.classiccontainers.com

A - Total Height.
B - Max. Decorating Area.

LABEL SPECIFICATIONS: 8 oz Mayan 24/415



1700 S Hellman Ave, Ontario, California 91761
Phone: (909) 930-3610 | Fax: (909) 930-3640
e-mail: info@classiccontainers.com
www.classiccontainers.com

A - Total Height.
B - Max. Decorating Area.