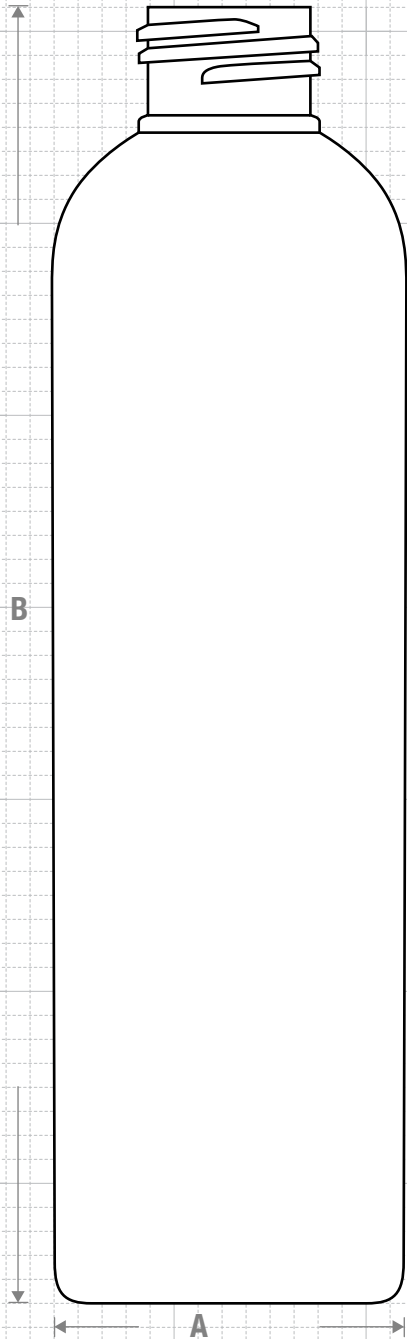




FRONT VIEW



Drawing:
8 oz Imperial Round 24/410
M2

Stock Code:
0008000502417M2

Manufacturing Process:
Stretch Blow Molding

Overflow Capacity:
250 - 268 ml (8.5 - 9.1 oz)

Gram Weight:
25 ± 1

Neck Finish:
24/410

Base Width (A):
1.885 ± 0.050

Overall Height (B):
6.763 ± 0.050

Max Print Area (Height):
4.968"

Max Print Area (Width):
5.750"

Case Pack: 426

Case Weight (lb): 26.4 ± 0.9

Cases Per Pallet: 16

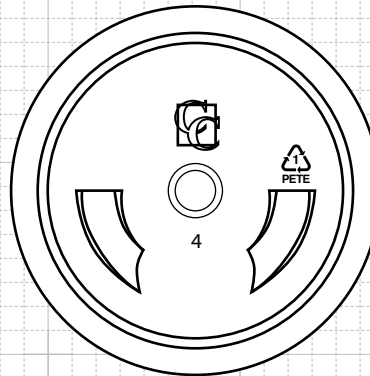
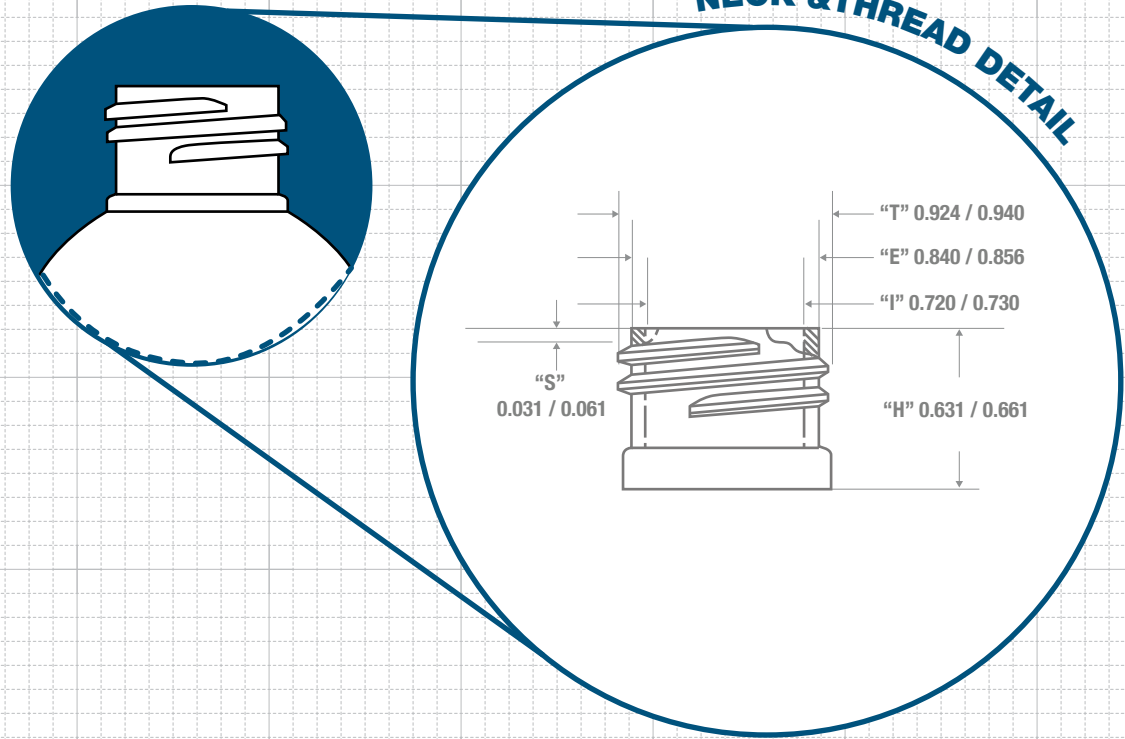
Box Dimensions:
24 7/16 x 18 1/2 x 23

Stock Material:

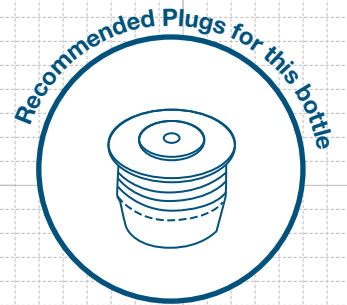


CLASSIC CONTAINERS INC
1700 S. Hellman Ave.
Ontario, CA 91761
Phone: 909-930-3610
e-mail: info@classiccontainers.com
www.classiccontainers.com

NECK & THREAD DETAIL

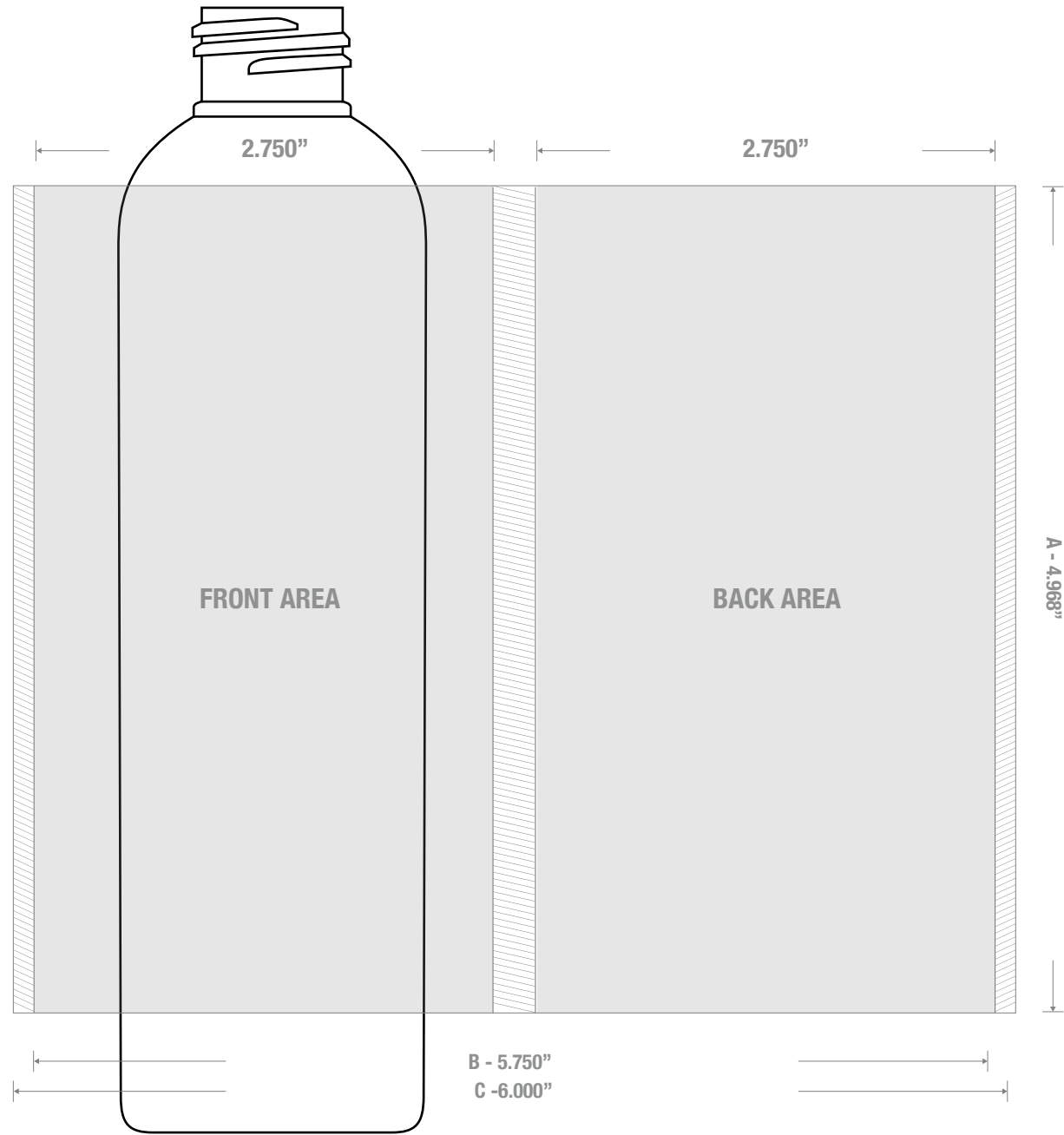


BOTTOM VIEW



FRICITION FIT

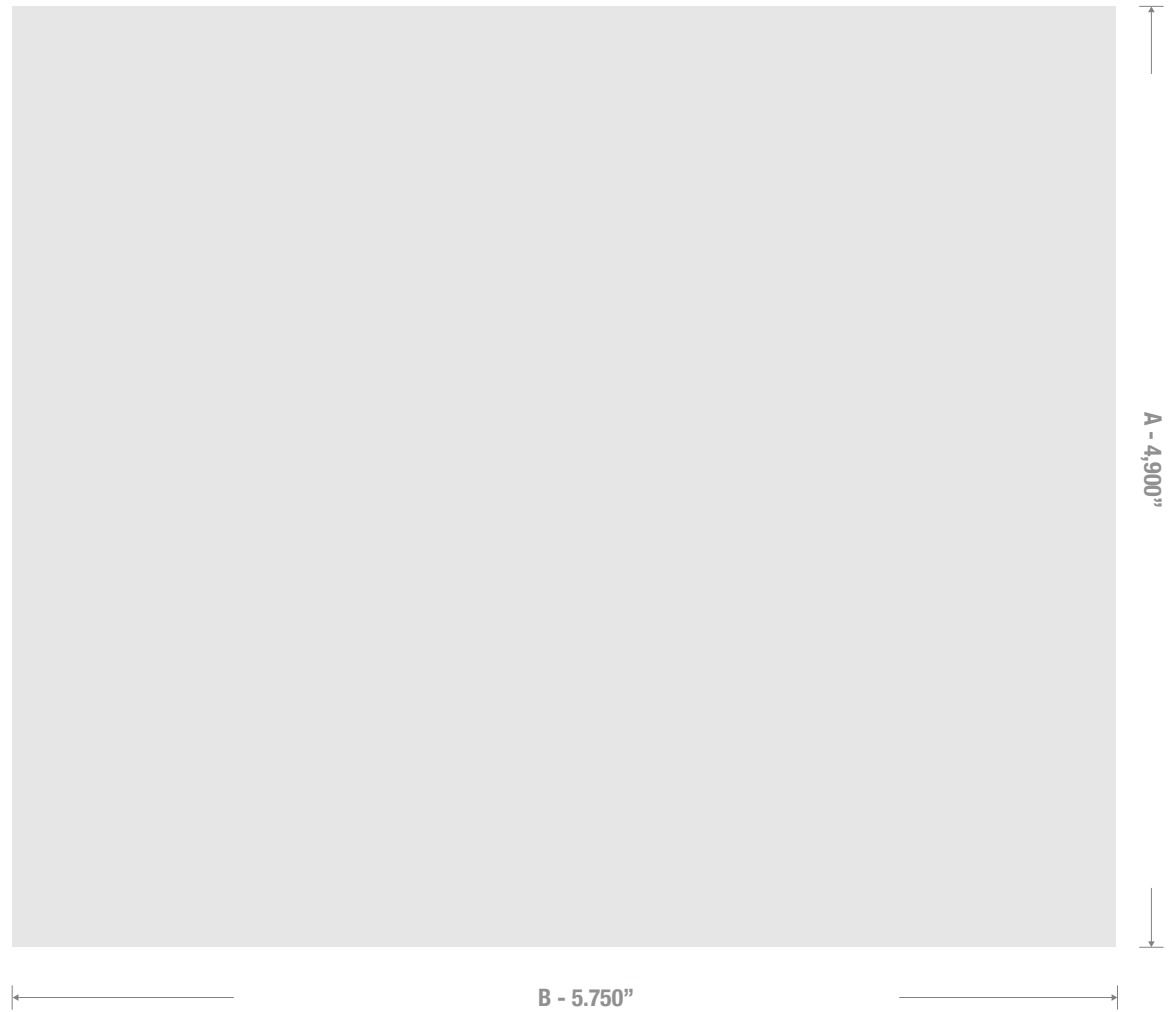
PRINTING SPECIFICATIONS: 8 oz Imperial Round 24/410 M2



1700 S Hellman Ave, Ontario, California 91761
Phone: (909) 930-3610 | Fax: (909) 930-3640
e-mail: info@classiccontainers.com
www.classiccontainers.com

A - Total Height.
B - Max. Decorating Area.
C - Total bottle circumference.
▨ - Unprintable area.

LABELING SPECIFICATIONS: 8 oz Imperial Round 24/410 M2



1700 S Hellman Ave, Ontario, California 91761
Phone: (909) 930-3610 | Fax: (909) 930-3640
e-mail: info@classiccontainers.com
www.classiccontainers.com

A - Total Height.
B - Max. Decorating Area.