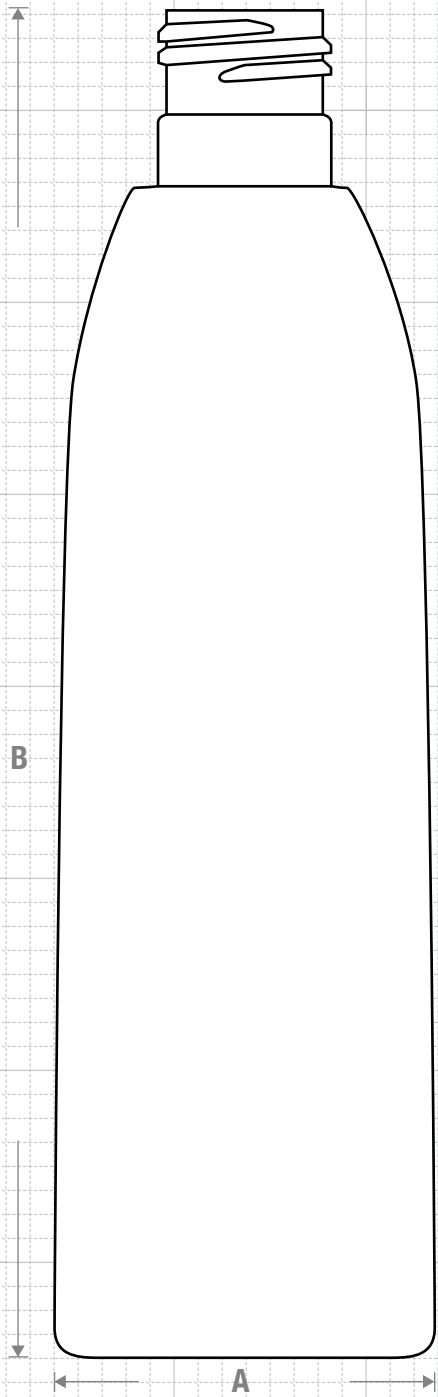




FRONT VIEW



Drawing:
8 oz Evolution 24/415

Stock Code:
000800330251700

Manufacturing Process:
Stretch Blow Molding

Overflow Capacity:
240 - 271 ml (8.6 - 9.2 oz)

Gram Weight:
23 ± 1

Neck Finish:
24/415

Base Width (A):
1.946 ± 0.050

Overall Height (B):
7.020 ± 0.050

Max Print Area (Height):
4.000"

Max Print Area (Width):
5.875"

Case Pack: 411

Case Weight (lb): 23.7 ± 0.9

Cases Per Pallet: 16

Box Dimensions:
24 7/16 x 18 1/2 x 23

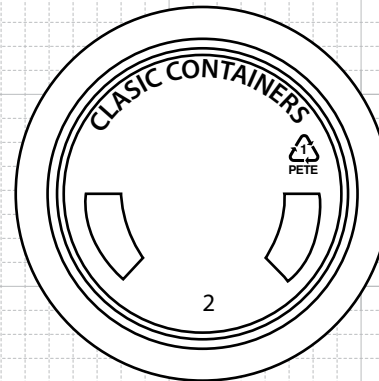
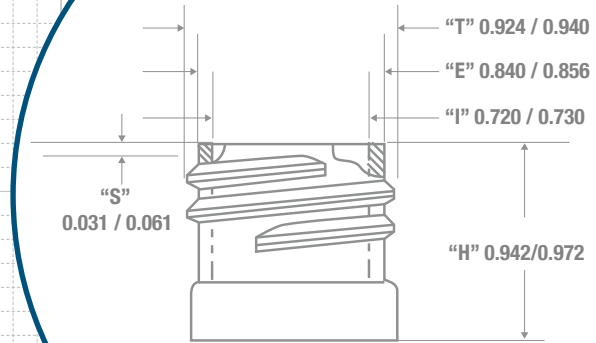
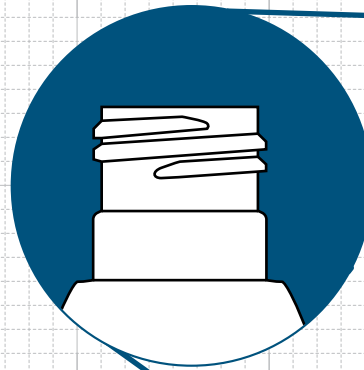
Stock Material:



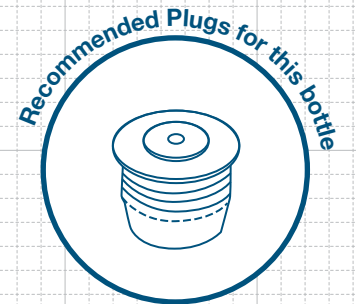
CLASSIC CONTAINERS INC
1700 S. Hellman Ave.
Ontario, CA 91761
Phone: 909-930-3610
e-mail: info@classiccontainers.com
www.classiccontainers.com



NECK & THREAD DETAIL



BOTTOM VIEW



FRICION FIT