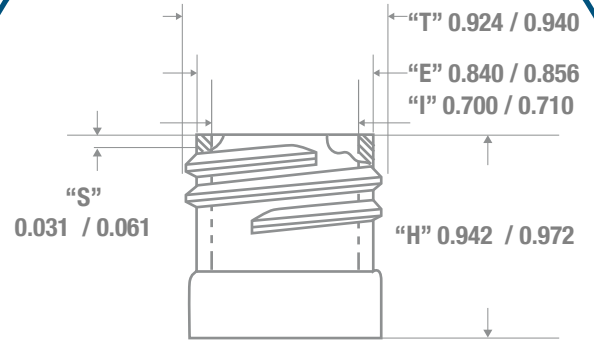
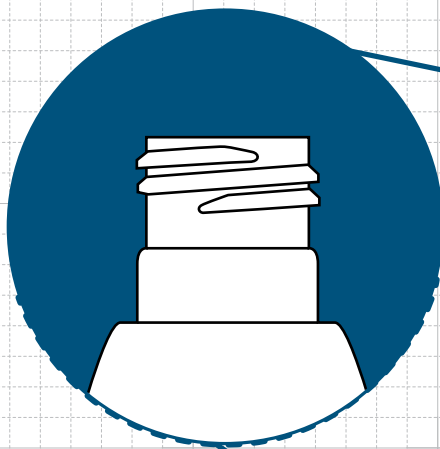
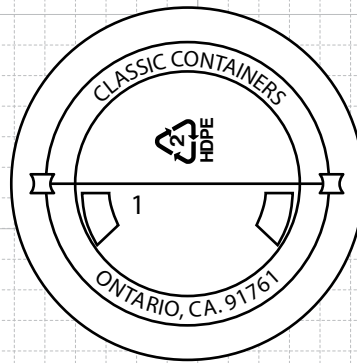
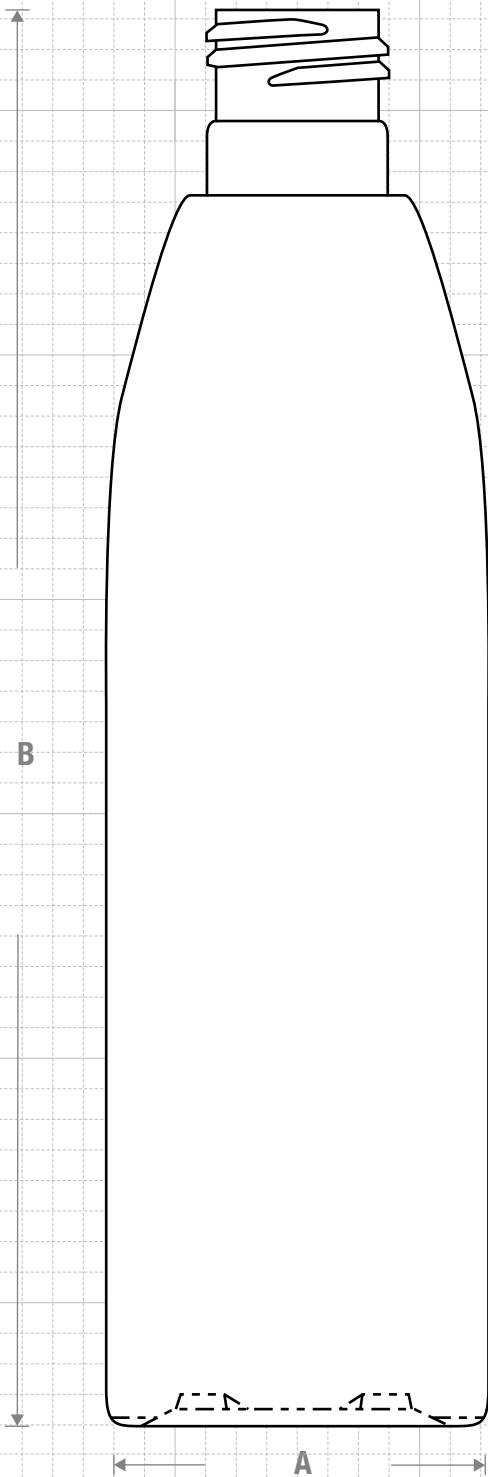




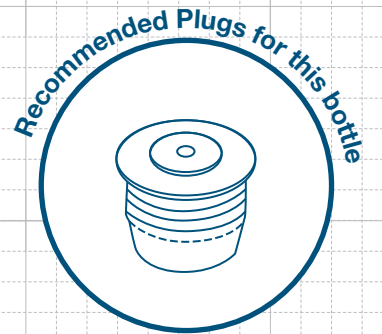
NECK & THREAD DETAIL



FRONT VIEW



BOTTOM VIEW



FRICTION FIT



CLASSIC CONTAINERS INC
 1700 S. Hellman Ave.
 Ontario, CA 91761
 Phone: 909-930-3610
 e-mail: info@classiccontainers.com
 www.classiccontainers.com

Drawing:
8 oz Evolution 24/415

Stock Code:
000800330250000

Manufacturing Process:
Extrusion Blow Molding

Overflow Capacity:
262 - 279 ml (8.9 - 9.5 oz)

Gram Weight:
21 ± 2 grs

Neck Finish:
24/415

Base Width (A):
1.960± 0.050

Overall Height (B):
7.245 ± 0.050

Max Print Area (Height):
4.250"

Max Print Area (Width):
5.875"

Case Pack: **405**

Case Weight (lb): **21.6 ± 1.8**

Cases Per Pallet: **16**

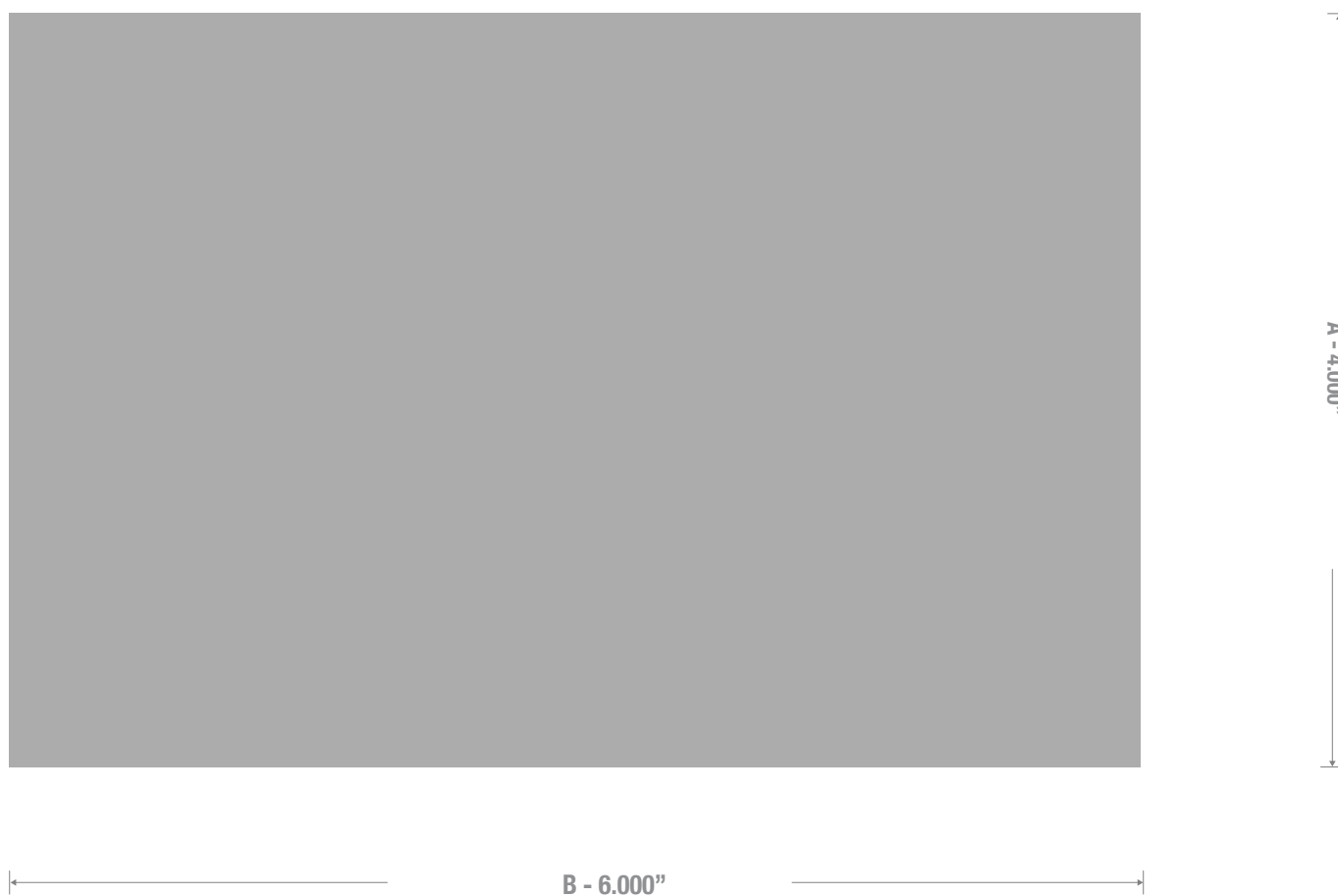
Box Dimensions:
24 7/16 x 18 1/2 x 23

Stock Material:



Rev #4 05/2016

Drawing not exactly to size.



1700 S Hellman Ave, Ontario, California 91761
Phone: (909) 930-3610 | Fax: (909) 930-3640
e-mail: info@classiccontainers.com
www.classiccontainers.com

A - Total Height.
B - Total bottle circumference.

