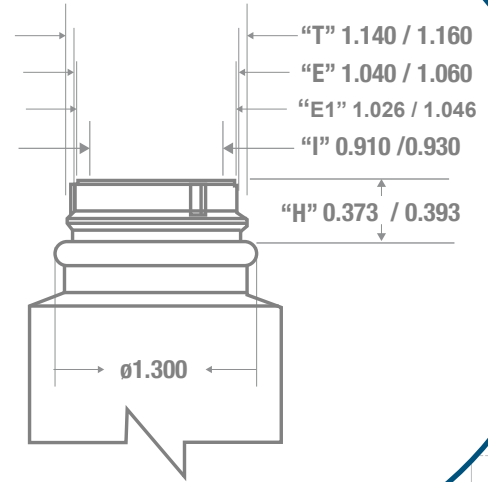
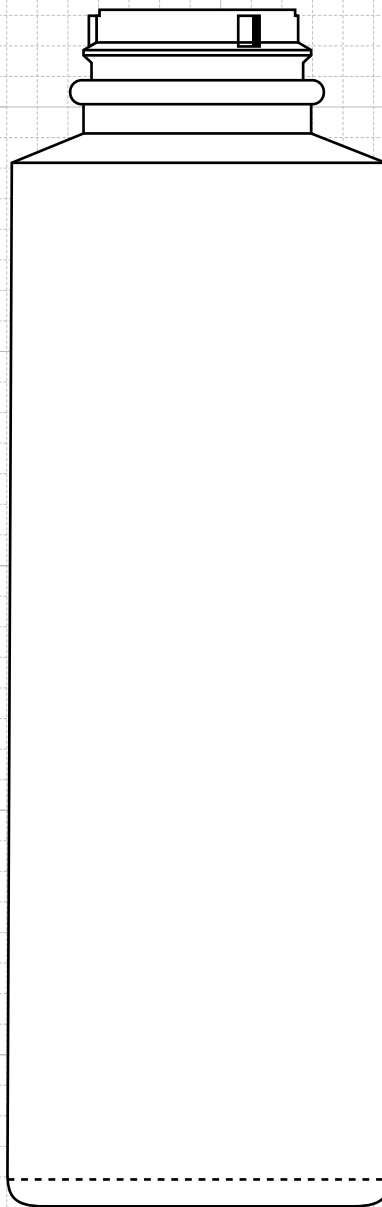
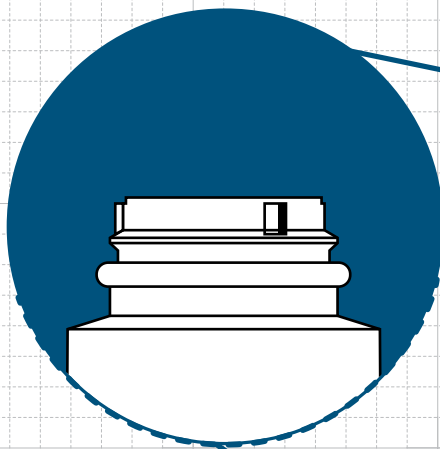
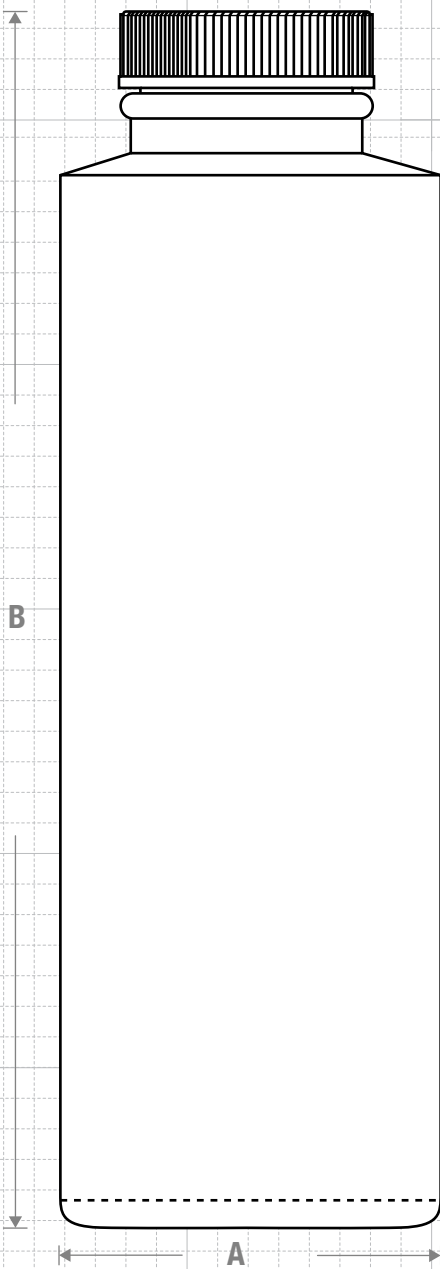




NECK & THREAD DETAIL

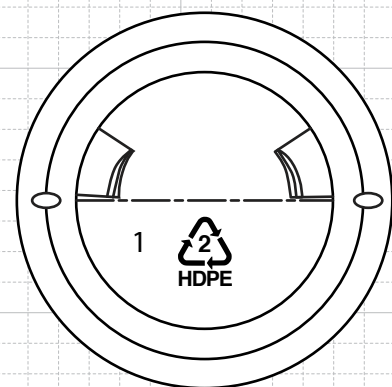
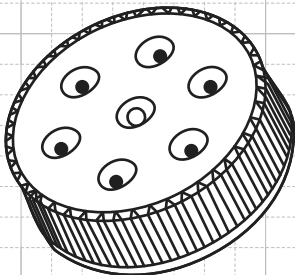


FRONT VIEW



33 mm SIFTER CLOSURE

OWENS-BROCKWAY
(closure 33-P-702)



BOTTOM VIEW



CLASSIC CONTAINERS INC
1700 S. Hellman Ave.
Ontario, CA 91761
Phone: 909-930-3610
e-mail: info@classiccontainers.com
www.classiccontainers.com

Drawing:
8 oz Cylinder Round 33 mm (powder)

Stock Code:
000800010330000

Manufacturing Process:
Extrusion Blow Molding

Overflow Capacity:
248 - 266 ml (8.4 - 9.0 oz)

Gram Weight:
24.0 ± 2 grs

Neck Finish:
33 mm

Base Width (A):
1.955 ± 0.050

Overall Height (B):
6.255 ± 0.050

Max Print Area (Height):
4.825"

Max Print Area (Width):
5.938"

Case Pack: **450**

Case Weight (lb): **26.7 ± 2.0**

Cases Per Pallet: **16**

Box Dimensions:
4 7/16 x 18 1/2 x 23

Stock Material:



Rev #4 - 09/2016

Drawing not exactly to size.

