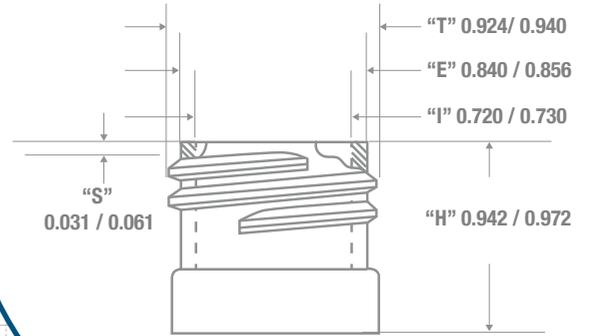
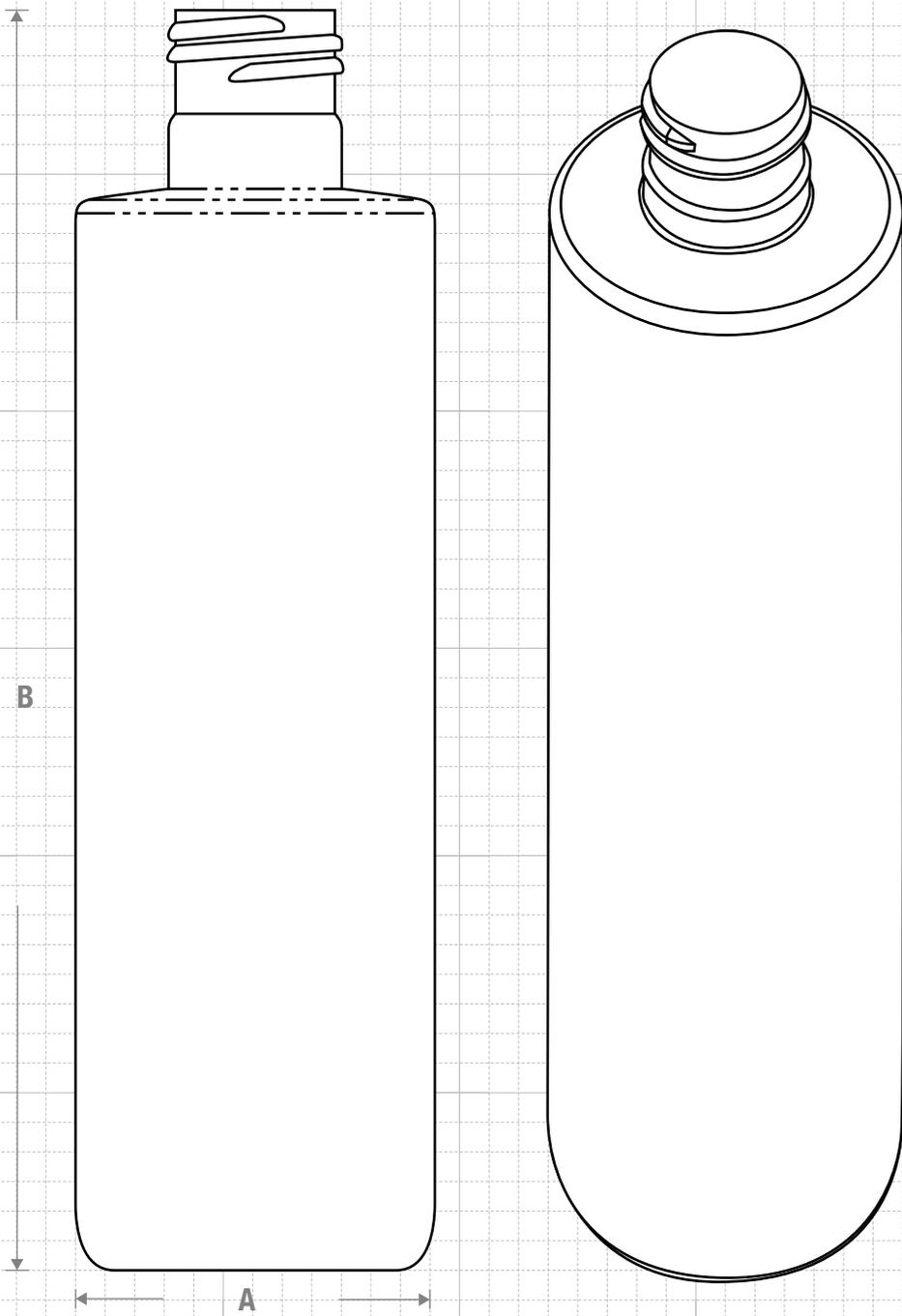


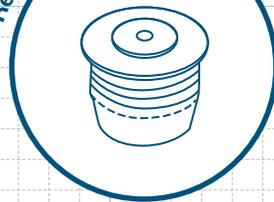
NECK & THREAD DETAIL



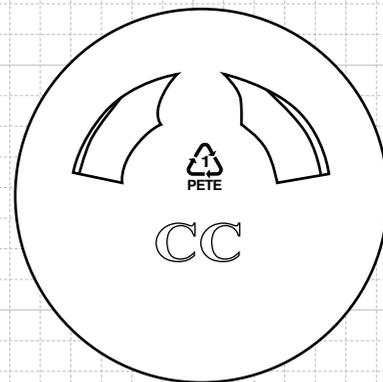
FRONT VIEW



Recommended Plugs for this bottle



FRICION FIT

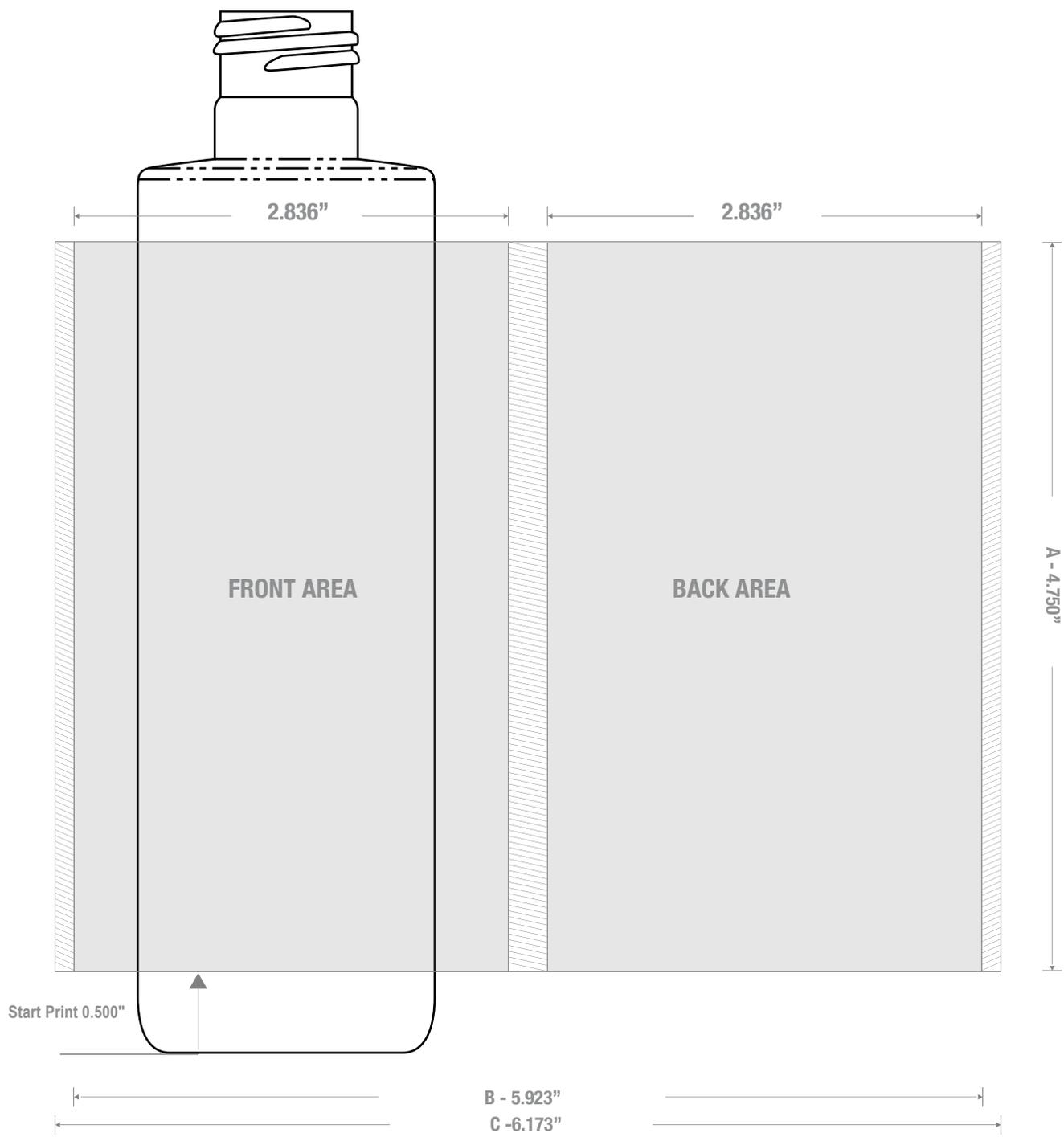


BOTTOM VIEW



CLASSIC CONTAINERS INC
 1700 S. Hellman Ave.
 Ontario, CA 91761
 Phone: 909-930-3610
 e-mail: info@classiccontainers.com
 www.classiccontainers.com

| | | | |
|--|---|---|--|
| Drawing: 8 oz Cylinder Round 24/415 | Gram Weight: 23 ± 1 | Max Print Area (Height): 4.750" | Cases Per Pallet: 16 |
| Stock Code: 000800010251700 | Neck Finish: 24/415 | Max Print Area (Width): 5.923" | Box Dimensions: 24 7/16 x 18 1/2 x 23 |
| Manufacturing Process: Stretch Blow Molding | Base Width (A): 1.950 ± 0.050 | Case Pack: 408 | Stock Material: |
| Overflow Capacity: 257- 274 ml (8.7- 9.3 oz) | Overall Height (B): 6.715 ± 0.050 | Case Weight (lb): 23.6 ± 0.9 | Rev #3 05/2016 Drawing not exactly to size. |





1700 S Hellman Ave, Ontario, California 91761
Phone: (909) 930-3610 | Fax: (909) 930-3640
e-mail: info@classiccontainers.com
www.classiccontainers.com

A - Total Height.
B - Max. Decorating Area.