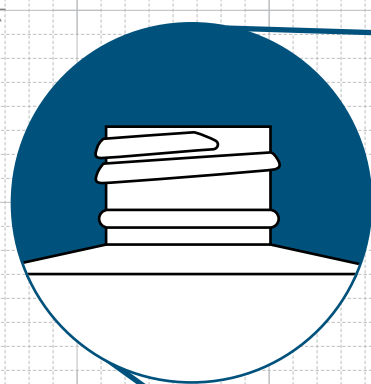
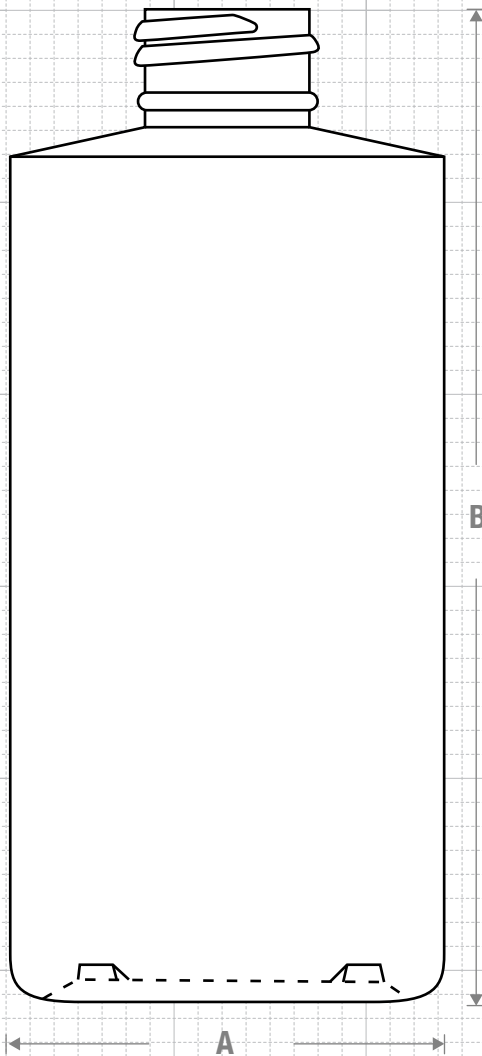
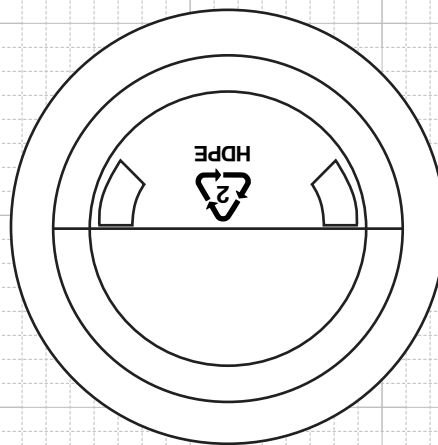
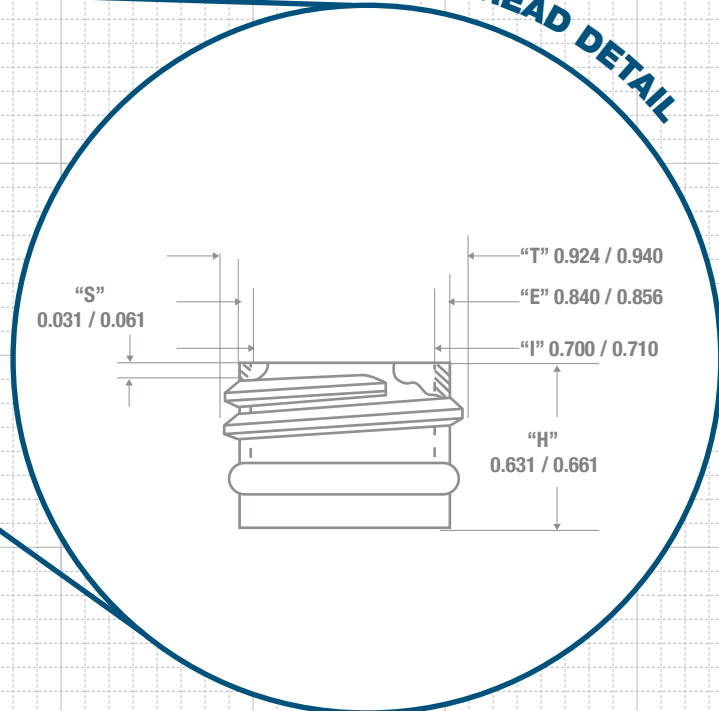




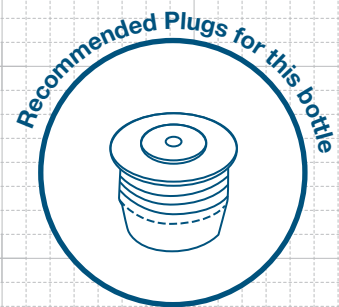
FRONT VIEW



NECK & THREAD DETAIL



BOTTOM VIEW



FRICION FIT



Drawing:
8 oz Cylinder Round Squat
24/410

Stock Code:
000800320240000

Manufacturing Process:
Extrusion Blow Molding

Overflow Capacity:
263 - 280 ml (8.9 - 9.5 oz)

Gram Weight:
22 ± 2

Neck Finish:
24/410

Base Width (A):
2.260 ± 0.050

Overall Height (B):
5.170 ± 0.050

Max Print Area (Height):
3.875"

Max Print Area (Width):
6.875"

Case Pack: 394

Case Weight (lb): 22.0 ± 0.9

Cases Per Pallet: 16

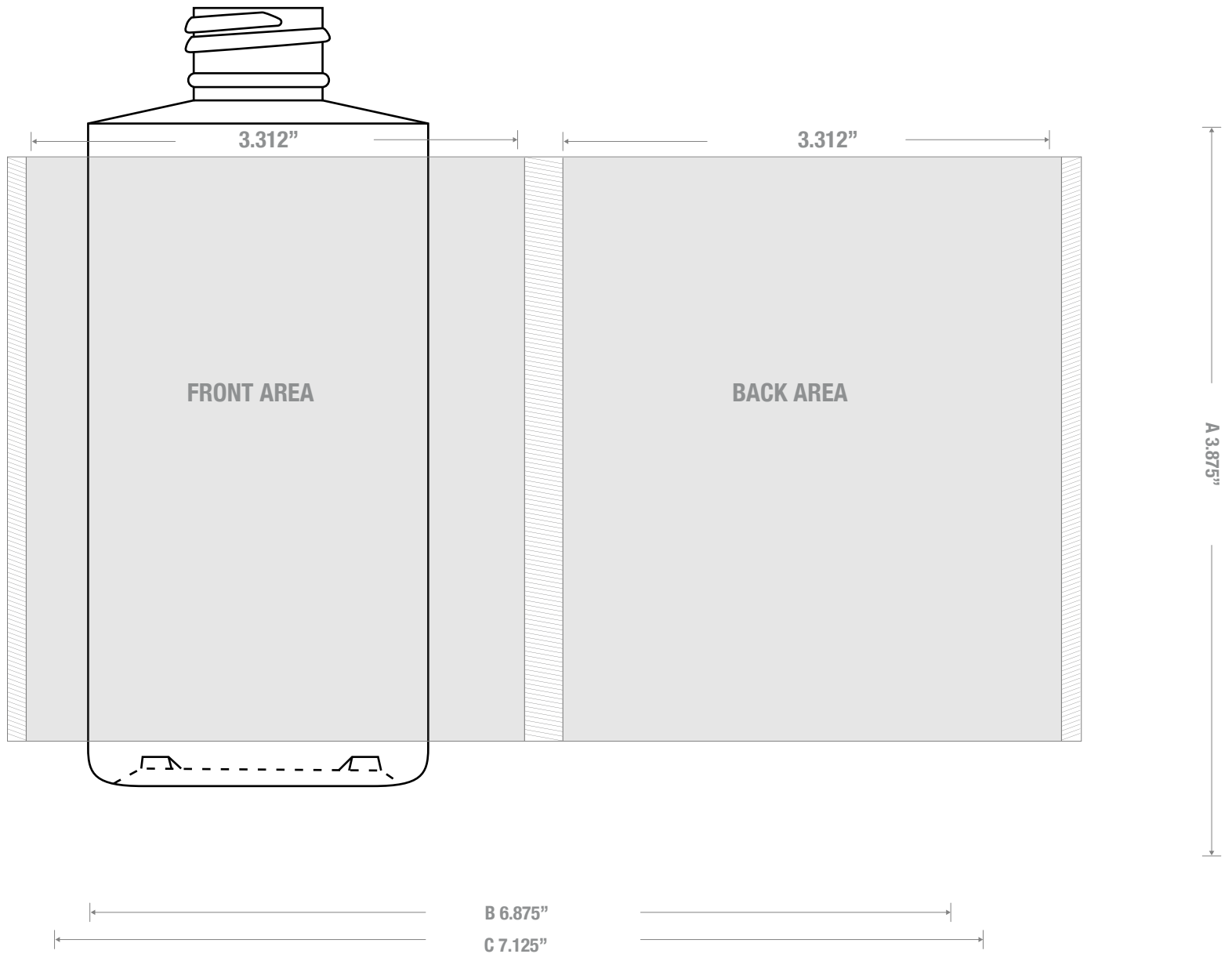
Box Dimensions:
24 7/16 x 18 1/2 x 23

Stock Material:



CLASSIC CONTAINERS INC
1700 S. Hellman Ave.
Ontario, CA 91761
Phone: 909-930-3610
e-mail: info@classiccontainers.com
www.classiccontainers.com

PRINTING SPECIFICATIONS: 8oz CYLINDER ROUND SQUAT 24/410



1700 S Hellman Ave, Ontario, California 91761
 Phone: (909) 930-3610 | Fax: (909) 930-3640
 e-mail: info@classiccontainers.com
www.classiccontainers.com

A - Total Height.
B - Max. Decorating Area.
C - Total bottle circumference.
 [Hatched Box] - Unprintable area.