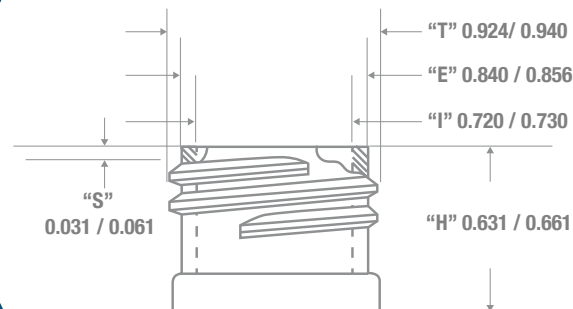
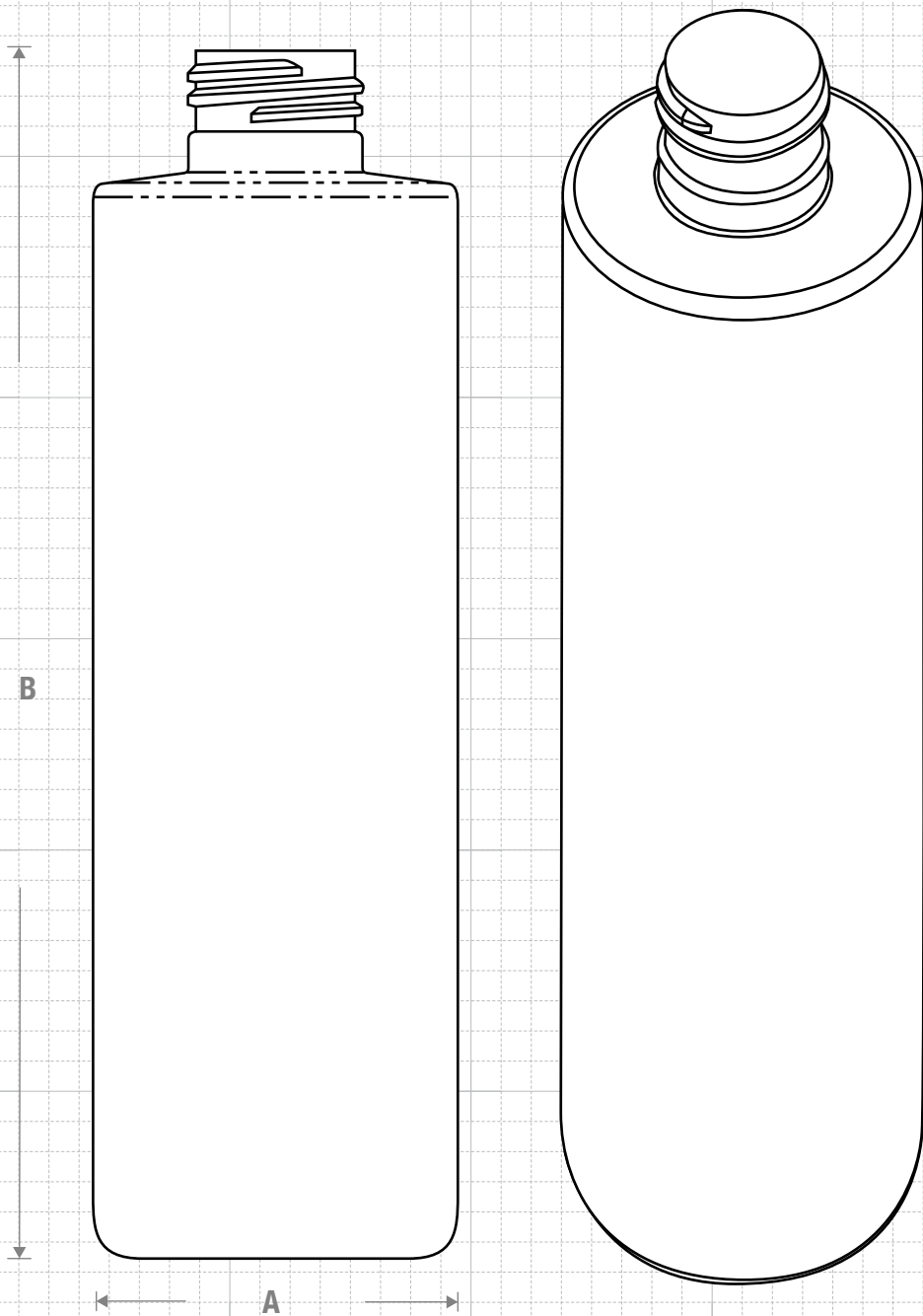


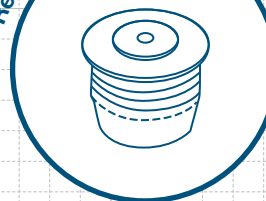
NECK & THREAD DETAIL



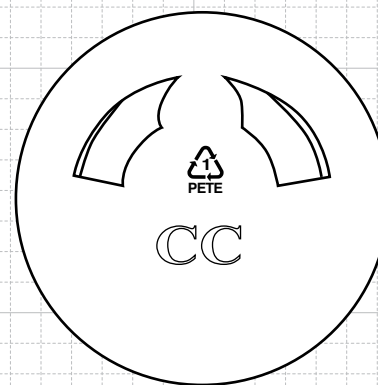
FRONT VIEW



Recommended Plugs for this bottle



FRICION FIT



BOTTOM VIEW



CLASSIC CONTAINERS INC
 1700 S. Hellman Ave.
 Ontario, CA 91761
 Phone: 909-930-3610
 e-mail: info@classiccontainers.com
 www.classiccontainers.com

Drawing:
8 oz Cylinder Round 24/410

Gram Weight:
23 ± 1

Max Print Area (Height):
4.750"

Cases Per Pallet: **16**

Stock Code:
000800010241700

Neck Finish:
24/410

Max Print Area (Width):
5.923"

Box Dimensions:
24 7/16 x 18 1/2 x 23

Manufacturing Process:
Stretch Blow Molding

Base Width (A):
1.950± 0.050

Case Pack: **450**

Stock Material:



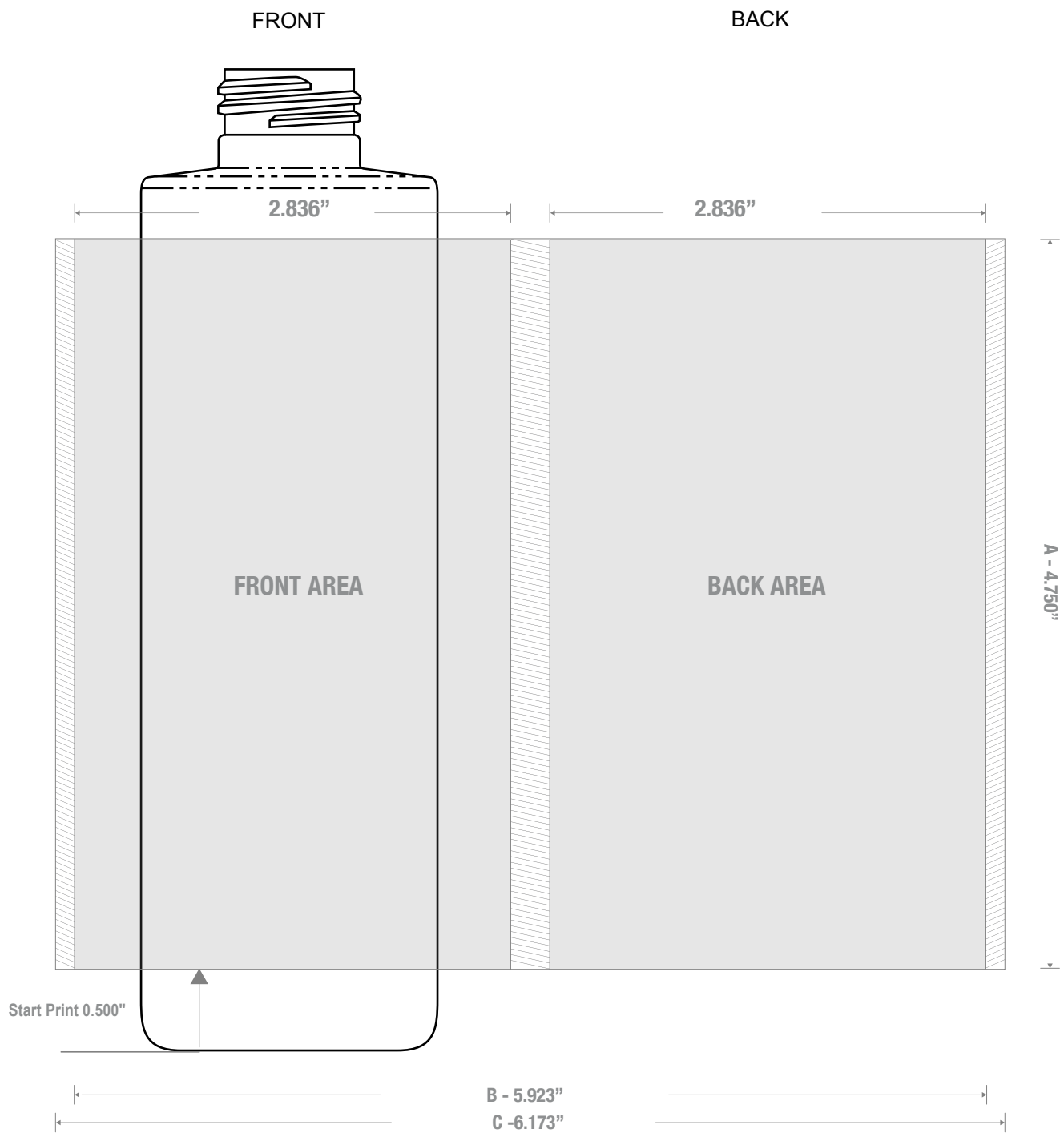
Overflow Capacity:
254 - 271 ml (8.6 - 9.2 oz)

Overall Height (B):
6.415 ± 0.050

Case Weight (lb): **25.7 ± 1.0**

Rev #2 02/2016

Drawing not exactly to size.





1700 S Hellman Ave, Ontario, California 91761
Phone: (909) 930-3610 | Fax: (909) 930-3640
e-mail: info@classiccontainers.com
www.classiccontainers.com

A - Total Height.
B - Max. Decorating Area.