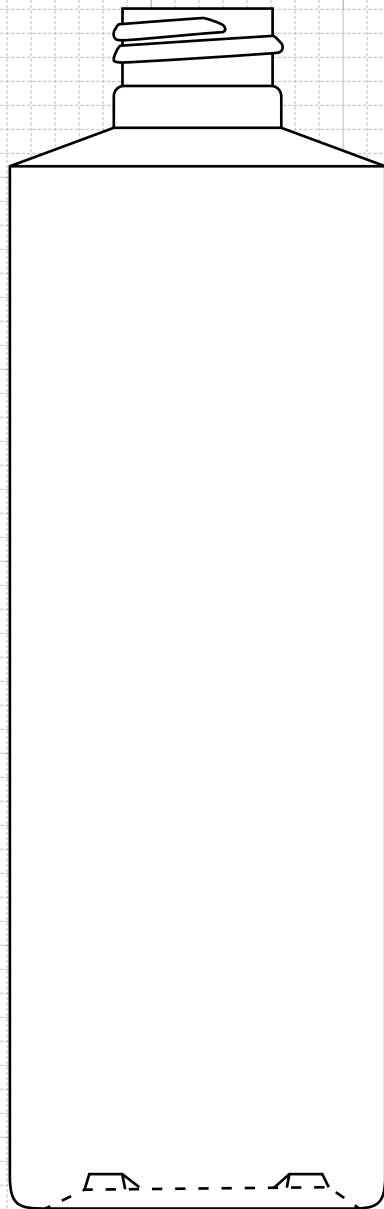




FRONT VIEW



Drawing:
8 oz Cylinder Round 24/410

Stock Code:
000800010240000

Manufacturing Process:
Extrusion Blow Molding

Overflow Capacity:
245 - 263 ml (8.3 - 8.9 oz)

Gram Weight:
22 ± 2

Neck Finish:
24/410

Base Width (A):
1.955 ± 0.050

Overall Height (B):
6.250 ± 0.050

Max Print Area (Height):
4.825"

Max Print Area (Width):
5.938"

Case Pack: 450

Case Weight (lb): 24.7 ± 2

Cases Per Pallet: 16

Box Dimensions:
24 7/16 x 18 1/2 x 23

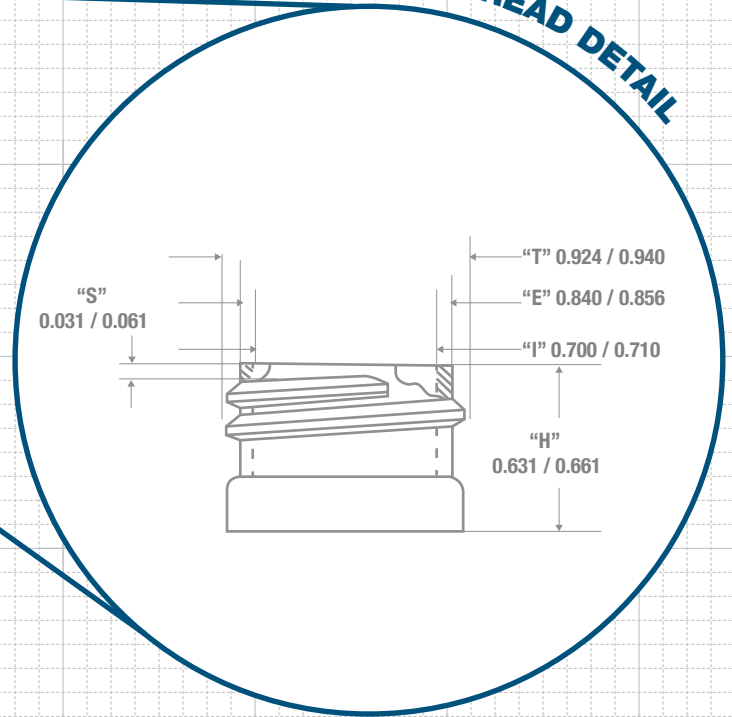
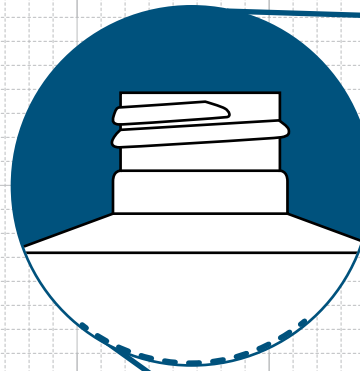
Stock Material:



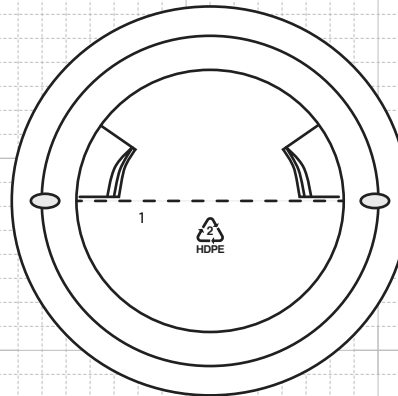
CLASSIC CONTAINERS INC
1700 S. Hellman Ave.
Ontario, CA 91761
Phone: 909-930-3610
e-mail: info@classiccontainers.com
www.classiccontainers.com



NECK & THREAD DETAIL



B



BOTTOM VIEW

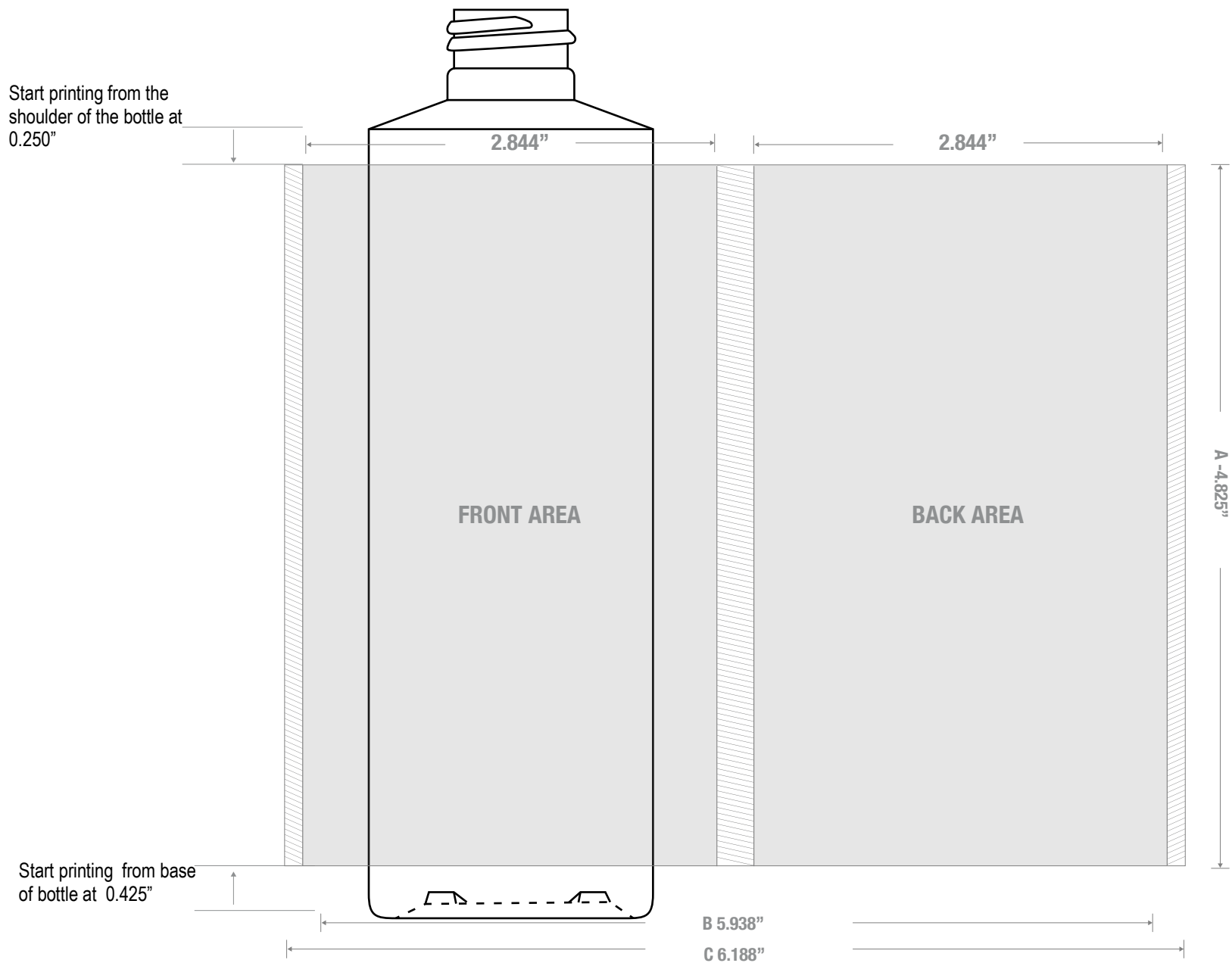
A

Recommended Plugs for this bottle



FRICION FIT

PRINTING SPECIFICATIONS: 8oz CYLINDER ROUND 24/410



1700 S Hellman Ave, Ontario, California 91761
 Phone: (909) 930-3610 | Fax: (909) 930-3640
 e-mail: info@classiccontainers.com
www.classiccontainers.com

A - Total Height.
B - Max. Decorating Area.
C - Total bottle circumference.
 [Hatched Box] - Unprintable area.

LABELING SPECIFICATIONS: 8oz CYLINDER ROUND 24/410



1700 S Hellman Ave, Ontario, California 91761
Phone: (909) 930-3610 | Fax: (909) 930-3640
e-mail: info@classiccontainers.com
www.classiccontainers.com

A - Total Height.
B - Total bottle circumference.