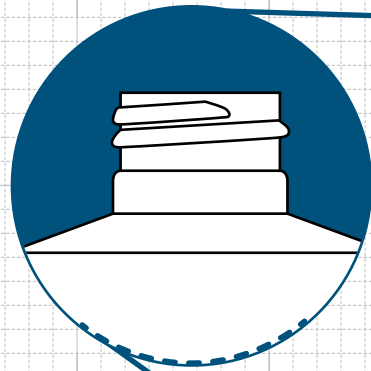
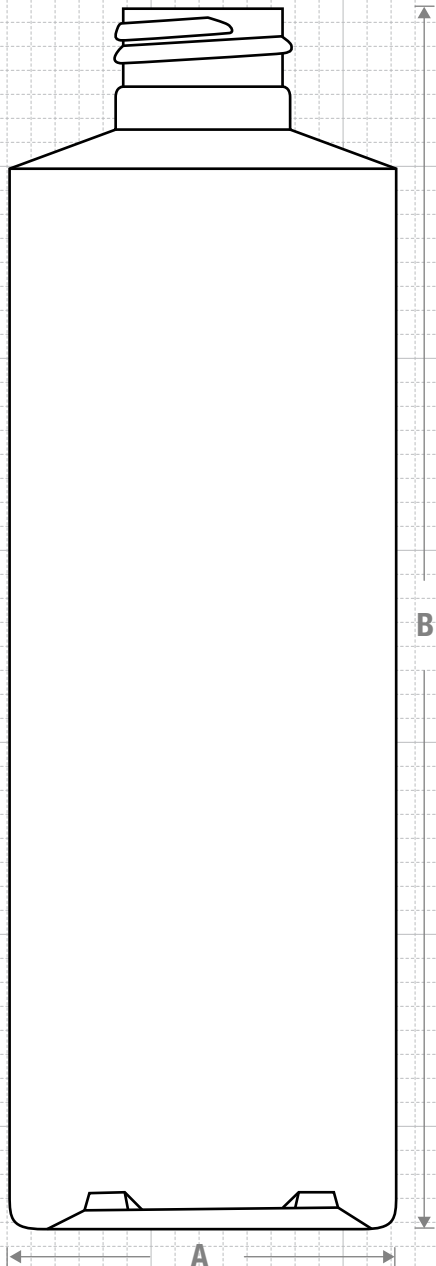
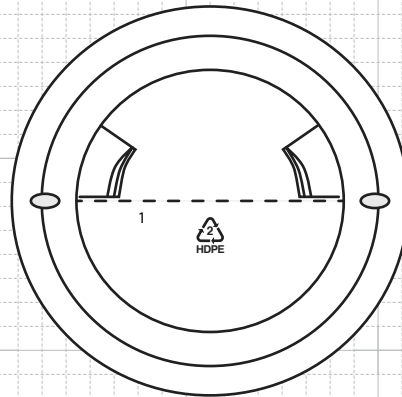
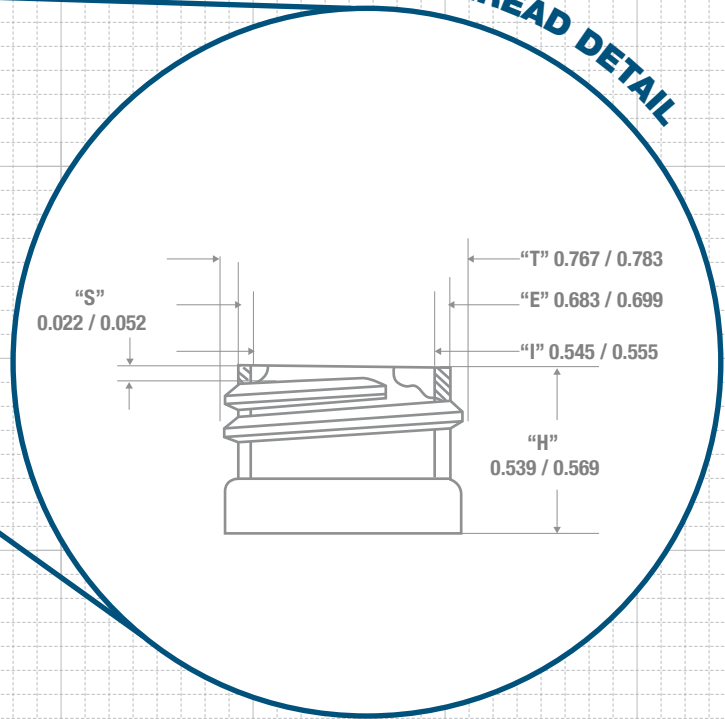




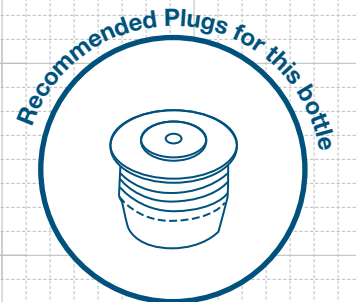
FRONT VIEW



NECK & THREAD DETAIL



BOTTOM VIEW



FRICION FIT



Drawing:
8 oz Cylinder Round 20/410

Stock Code:
000800010200000

Manufacturing Process:
Extrusion Blow Molding

Overflow Capacity:
242 - 260 ml (8.2 - 8.8 oz)

Gram Weight:
22 ± 2

Neck Finish:
20/410

Base Width (A):
1.955 ± 0.050

Overall Height (B):
6.172 ± 0.050

Max Print Area (Height):
4.825"

Max Print Area (Width):
5.938"

Case Pack: 450

Case Weight (lb): 24.7 ± 2

Cases Per Pallet: 16

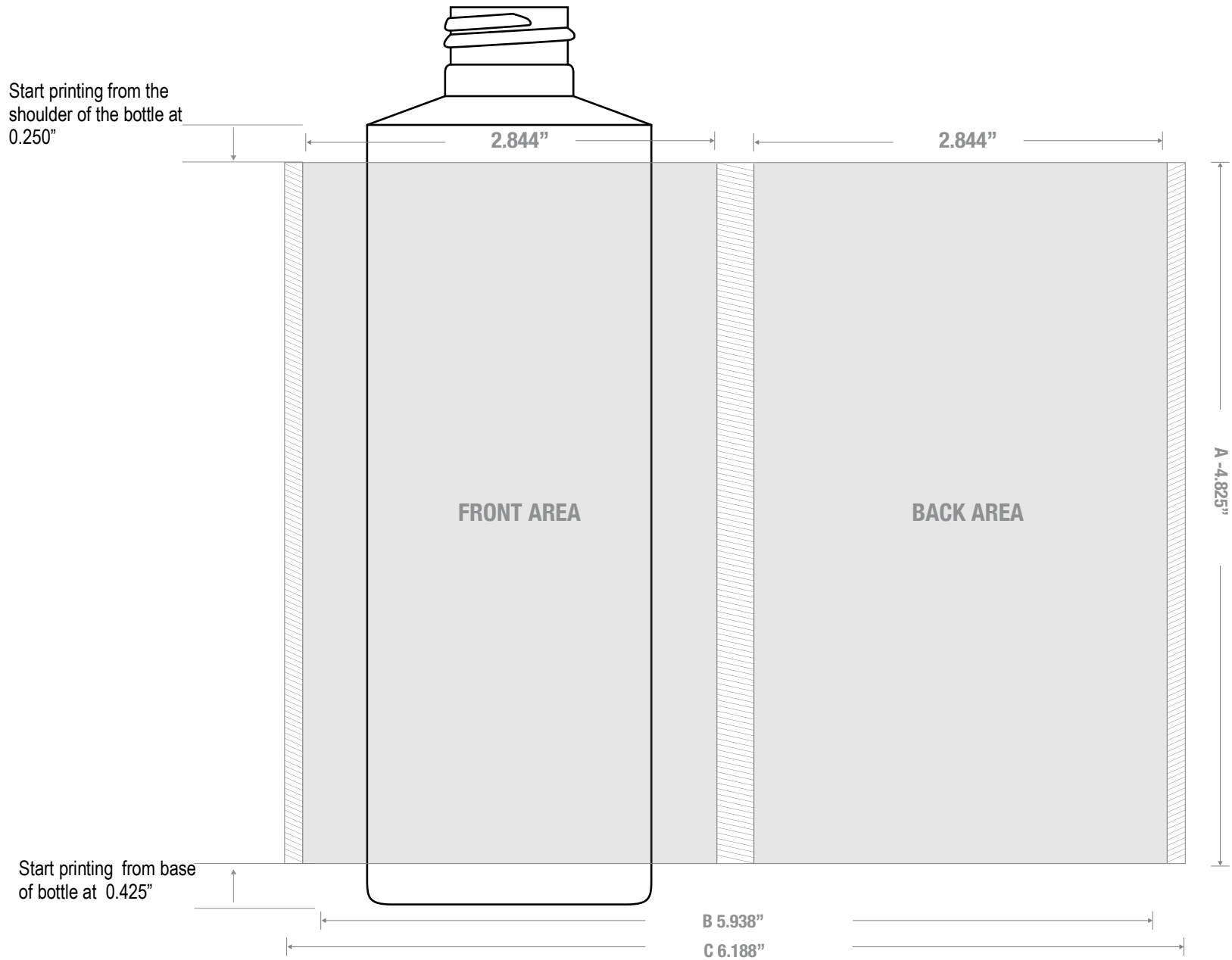
Box Dimensions:
24 7/16 x 18 1/2 x 23

Stock Material:



CLASSIC CONTAINERS INC
1700 S. Hellman Ave.
Ontario, CA 91761
Phone: 909-930-3610
e-mail: info@classiccontainers.com
www.classiccontainers.com

PRINTING SPECIFICATIONS: 8oz CYLINDER ROUND 20/410



1700 S Hellman Ave, Ontario, California 91761
Phone: (909) 930-3610 | Fax: (909) 930-3640
e-mail: info@classiccontainers.com
www.classiccontainers.com

A - Total Height.
B - Max. Decorating Area.
C - Total bottle circumference.
▨ - Unprintable area.

LABELING SPECIFICATIONS: 8oz CYLINDER ROUND 20/410



1700 S Hellman Ave, Ontario, California 91761
Phone: (909) 930-3610 | Fax: (909) 930-3640
e-mail: info@classiccontainers.com
www.classiccontainers.com

A - Total Height.
B - Total bottle circumference.