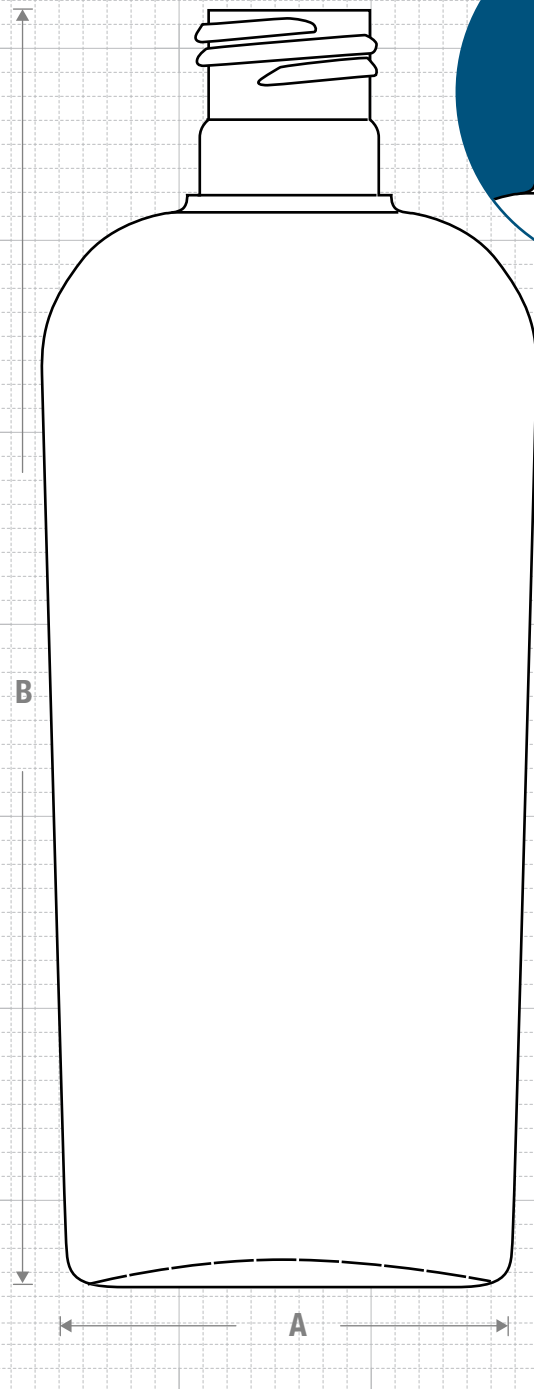
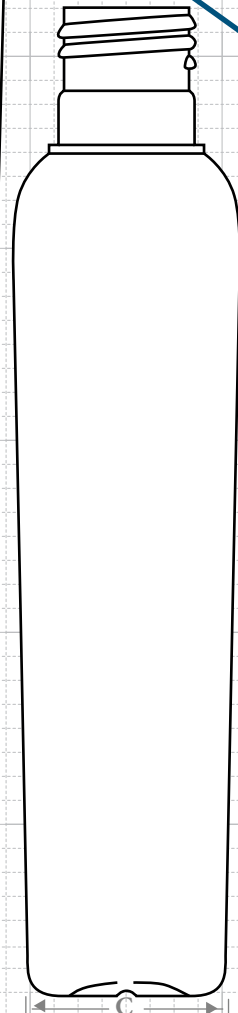




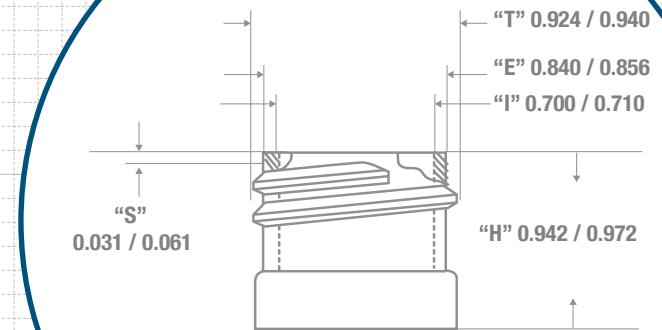
FRONT VIEW



SIDE VIEW



NECK & THREAD DETAIL



Drawing:
8 oz Classic Oval 24/415

Stock Code:
000800230250000

Manufacturing Process:
Extrusion Blow Molding

Overflow Capacity:
248 - 266 ml (8.4 - 9.0 oz)

Gram Weight:
22.5 ± 2

Neck Finish:
24/415

Base Width (A): Base Depth (C)
2.490 ± 0.050 1.400 ± 0.050

Overall Height (B):
6.650 ± 0.050

Max Print Area (Height):
4.500"

Max Print Area (Width):
1.875"

Case Pack: **399**

Case Weight (lb): **22.7 ± 1.8**

Cases Per Pallet: **16**

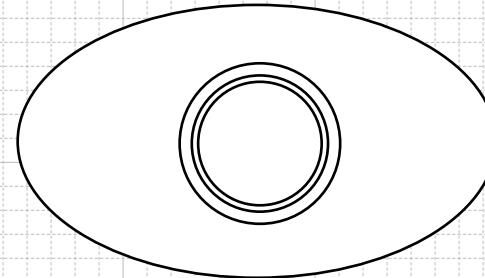
Box Dimensions:
24 7/16 x 18 1/2 x 23

Stock Material:

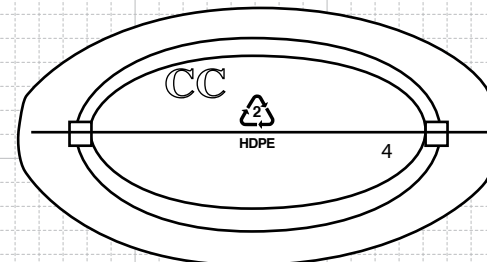


CLASSIC CONTAINERS INC
1700 S. Hellman Ave.
Ontario, CA 91761
Phone: 909-930-3610
e-mail: info@classiccontainers.com
www.classiccontainers.com

TOP VIEW



BOTTOM VIEW

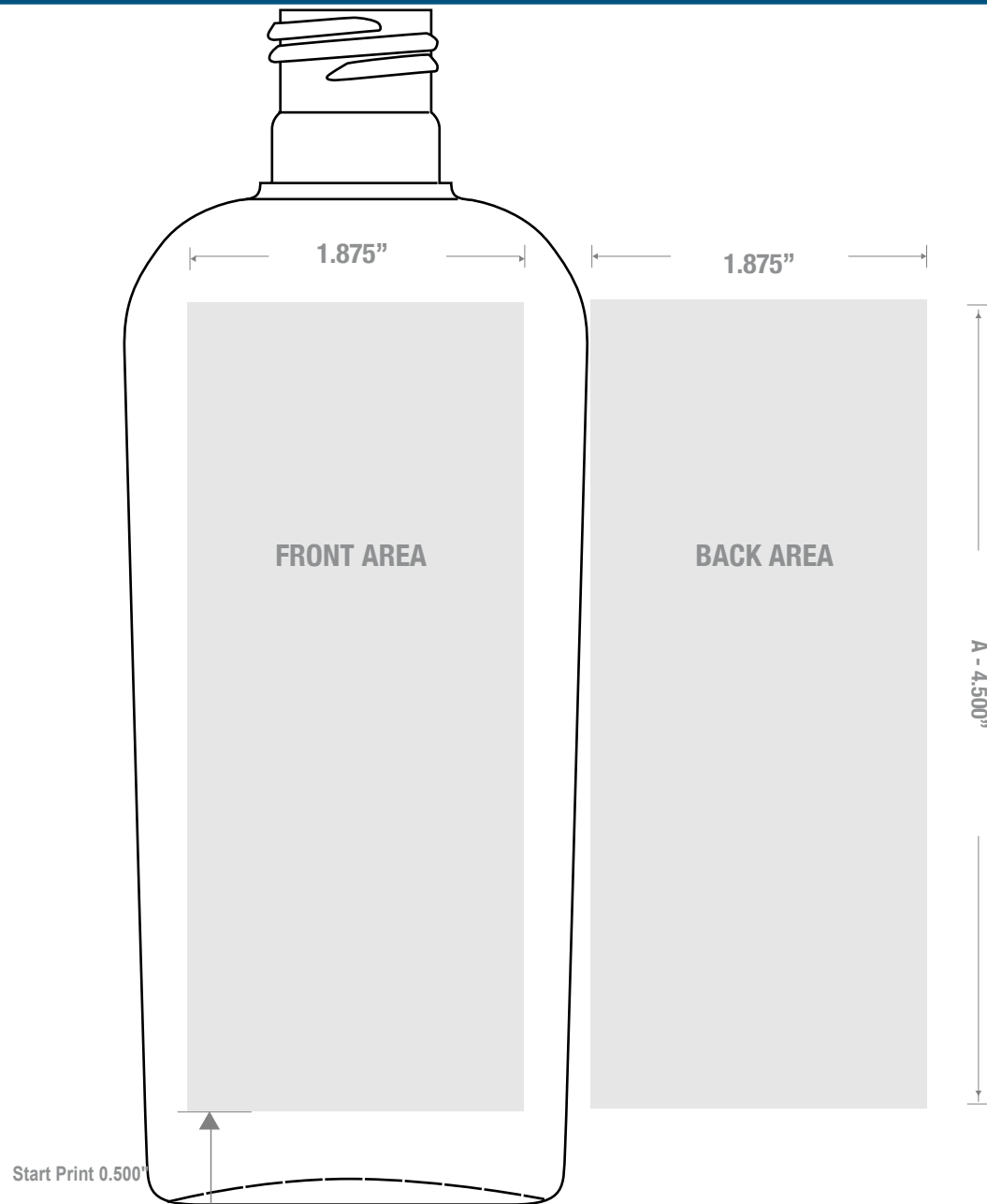


Recommended Plugs for this bottle



FRICITION FIT

PRINTING SPECIFICATIONS: 8 oz CLASSIC OVAL 24/415



1700 S Hellman Ave, Ontario, California 91761
Phone: (909) 930-3610 | Fax: (909) 930-3640
e-mail: info@classiccontainers.com
www.classiccontainers.com

A - Total Height.
B - Max. Decorating Area.