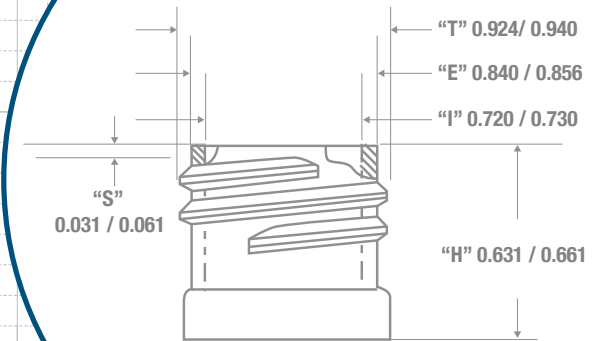
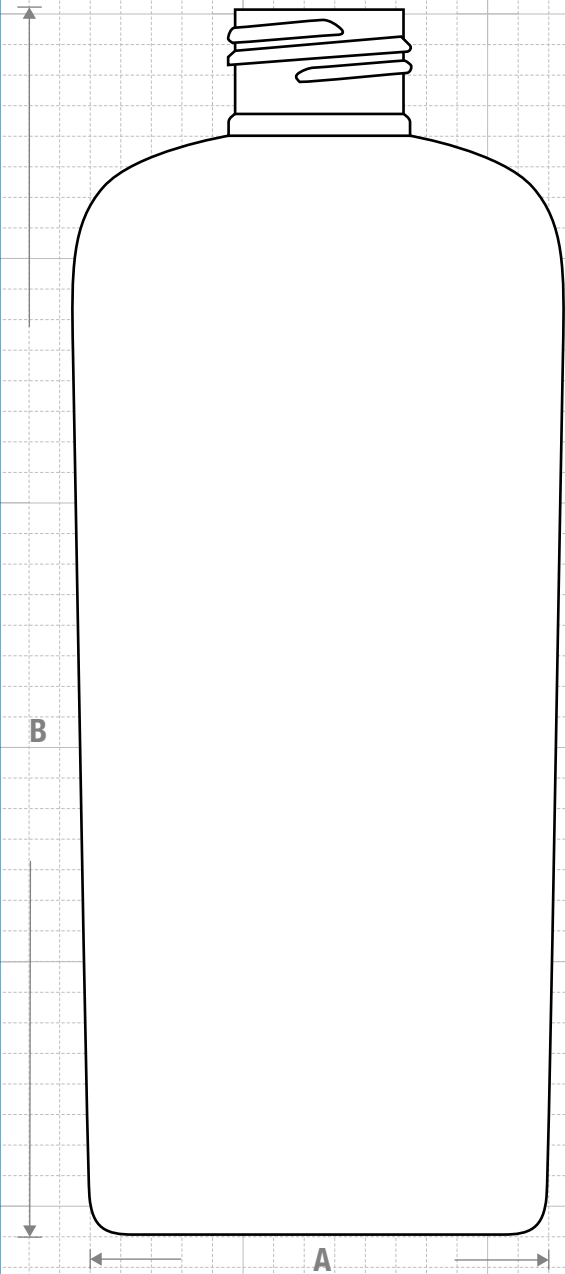




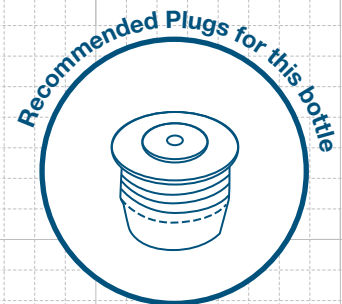
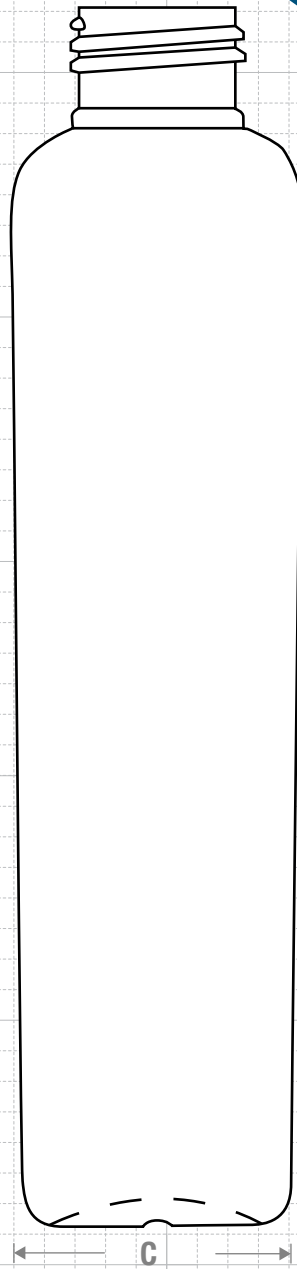
### NECK & THREAD DETAIL



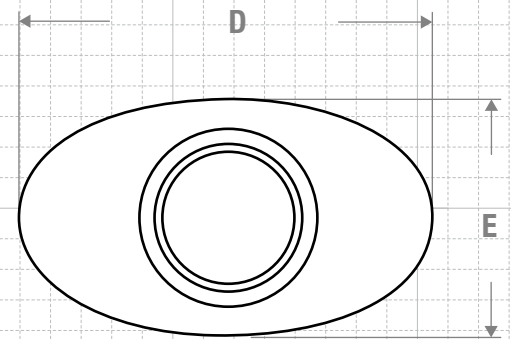
### FRONT VIEW



### SIDE VIEW

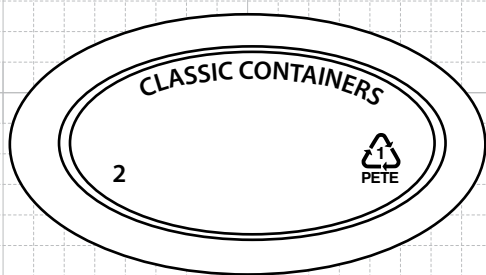


### FRICION FIT



### TOP VIEW

D Shoulder Width:  $2.667 \pm 0.050$   
 E Shoulder Depth:  $1.541 \pm 0.050$



### BOTTOM VIEW



**CLASSIC CONTAINERS INC**  
 1700 S. Hellman Ave.  
 Ontario, CA 91761  
 Phone: 909-930-3610  
 e-mail: info@classiccontainers.com  
 www.classiccontainers.com

Drawing:  
**8 oz Classic Oval 24/410**

Stock Code:  
**000800230241700**

Manufacturing Process:  
**Stretch Blow Molding**

Overflow Capacity:  
**251-268 ml (8.5 - 9.1 oz)**

Gram Weight:  
 **$23 \pm 1$**

Neck Finish:  
**24/410**

Base Width (A) Base Deep (C):  
 **$2.476 \pm 0.050$   $1.387 \pm 0.050$**

Overall Height (B):  
 **$6.335 \pm 0.050$**

Max Print Area (Height):  
**4.375"**

Max Print Area (Width):  
**1.750"**

Case Pack: **403**

Case Weight (lb):  **$23.3 \pm 0.9$**

Cases Per Pallet: **16**

Box Dimensions:  
 **$24 \frac{7}{16} \times 18 \frac{1}{2} \times 23$**

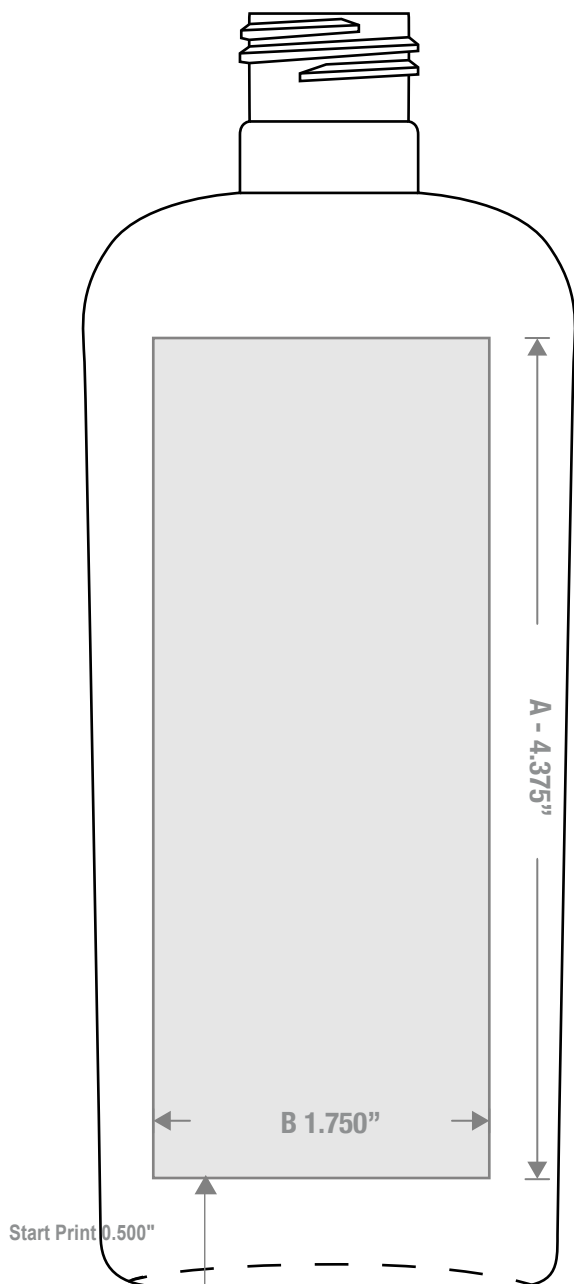
Stock Material:



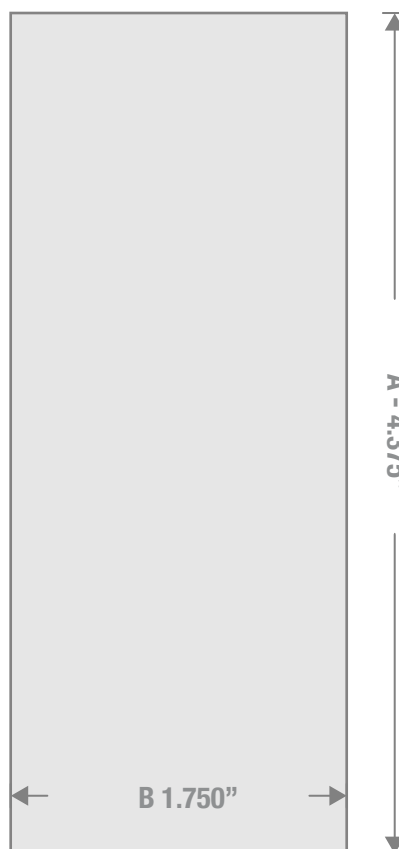
Rev #3 03/2016

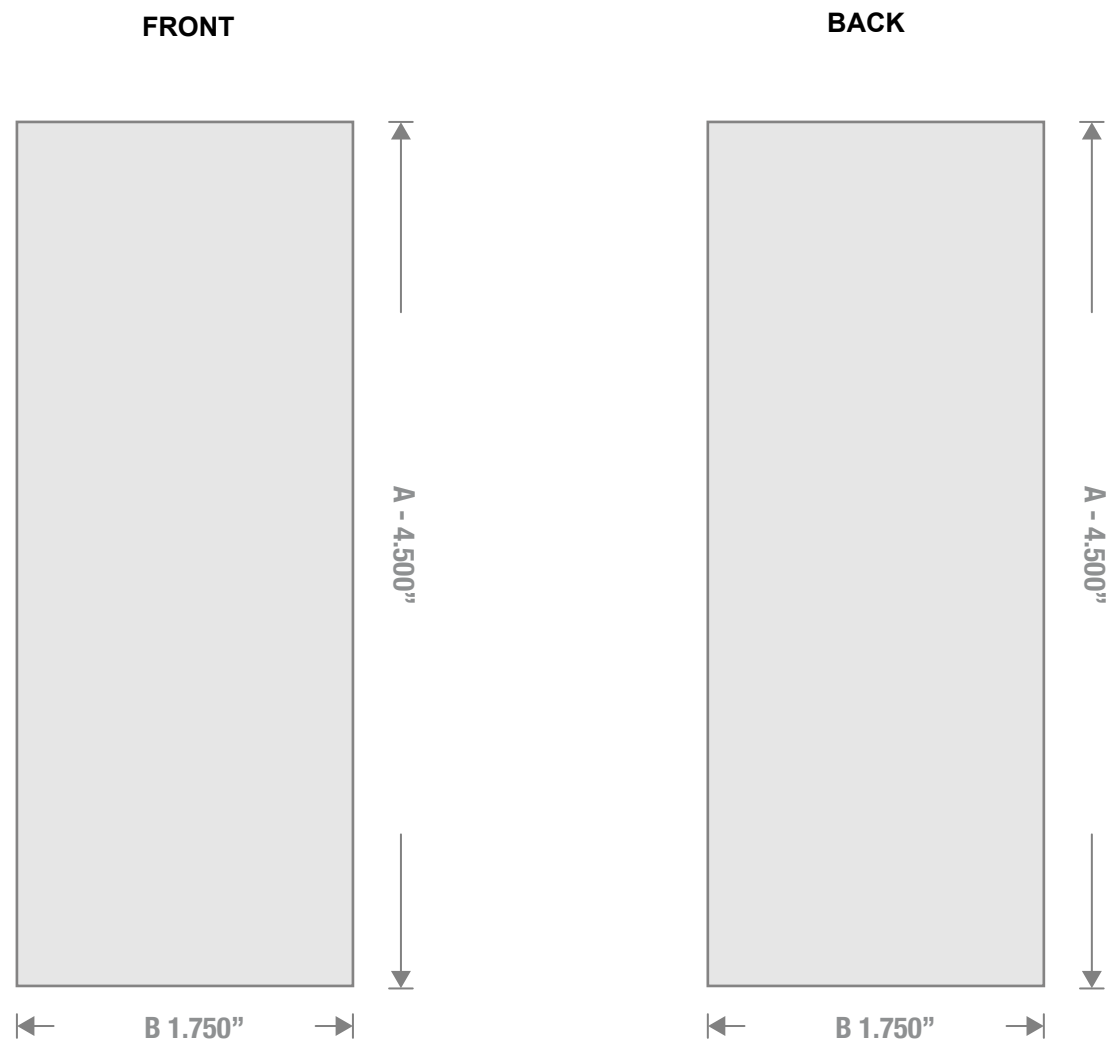
Drawing not exactly to size.

FRONT



BACK





1700 S Hellman Ave, Ontario, California 91761  
Phone: (909) 930-3610 | Fax: (909) 930-3640  
e-mail: [info@classiccontainers.com](mailto:info@classiccontainers.com)  
[www.classiccontainers.com](http://www.classiccontainers.com)

A - Total Height.  
B - Max. Decorating Area.