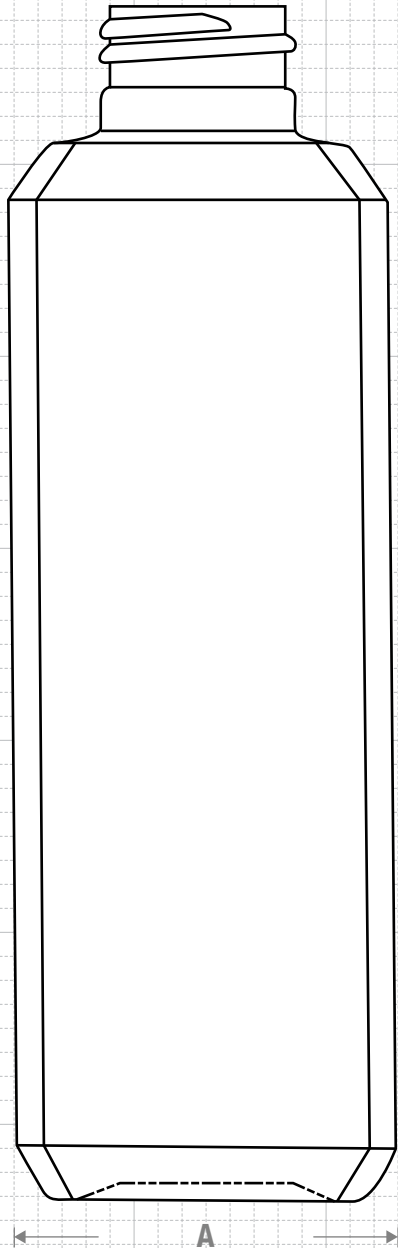




# FRONT VIEW



Drawing:  
8 oz Beveled Square 24/410

Stock Code:  
000800580240000

Manufacturing Process:  
Extrusion Blow Molding

Overflow Capacity:  
263 - 277 ml (8.9 - 9.4 oz)

Gram Weight:  
24 ± 2.0

Neck Finish:  
24/410

Base Width (A):  
1.850 ± 0.050

Overall Height (B):  
6.175 ± 0.050

Max Print Area (Height):  
4.500"

Max Print Area (Width):  
1.250"

Case Pack: 468

Case Weight (lb): 27.6 ± 2.0

Cases Per Pallet: 16

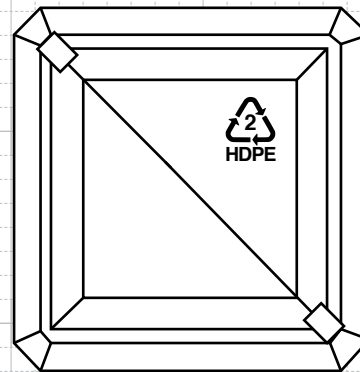
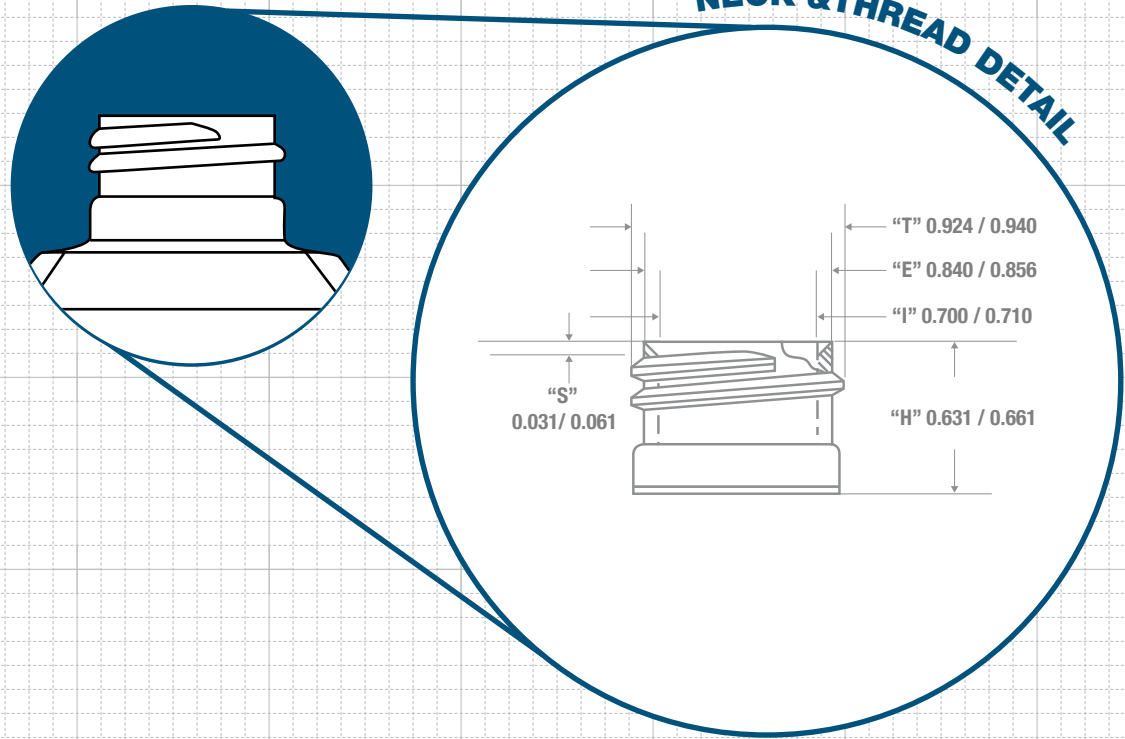
Box Dimensions:  
24 7/16 x 18 1/2 x 23

Stock Material:

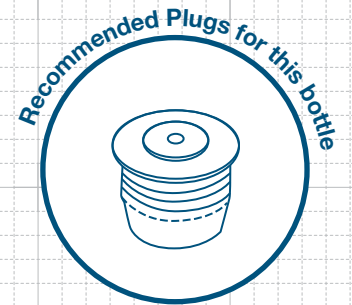


**CLASSIC CONTAINERS INC**  
1700 S. Hellman Ave.  
Ontario, CA 91761  
Phone: 909-930-3610  
e-mail: info@classiccontainers.com  
www.classiccontainers.com

# NECK & THREAD DETAIL



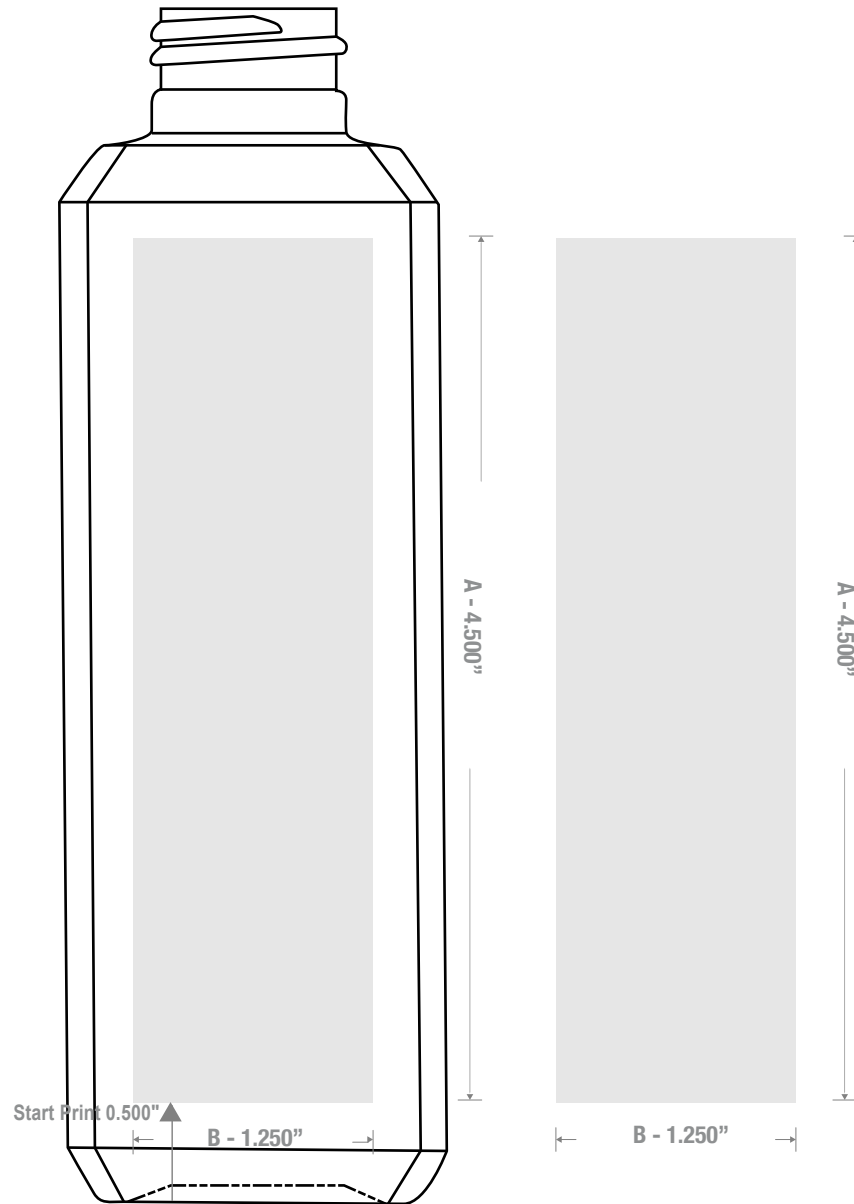
# BOTTOM VIEW



# FRICION FIT



# PRINTING SPECIFICATIONS: 8 oz Beveled Square 24/410

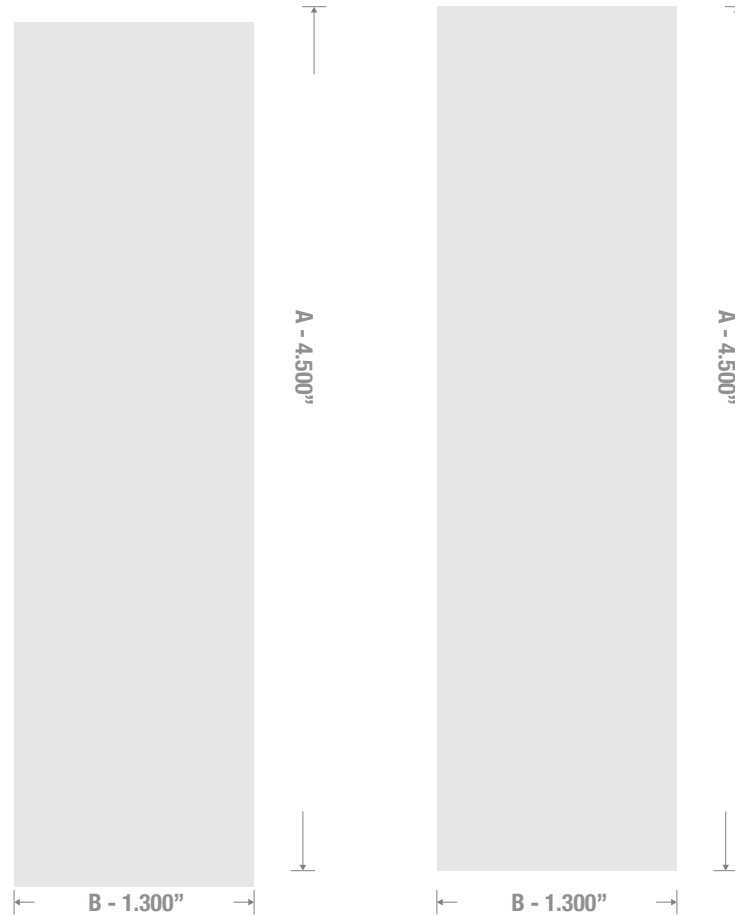


**LASSIC  
CONTAINERS  
Inc.**

1700 S Hellman Ave, Ontario, California 91761  
Phone: (909) 930-3610 | Fax: (909) 930-3640  
e-mail: [info@classiccontainers.com](mailto:info@classiccontainers.com)  
[www.classiccontainers.com](http://www.classiccontainers.com)

**A - Total Height.**  
**B - Max. Decorating Area.**  
**C - Total bottle circumference.**  
☐ - Unprintable area.

# LABELING SPECIFICATIONS: 8 oz Beveled Square 24/410



1700 S Hellman Ave, Ontario, California 91761  
Phone: (909) 930-3610 | Fax: (909) 930-3640  
e-mail: [info@classiccontainers.com](mailto:info@classiccontainers.com)  
[www.classiccontainers.com](http://www.classiccontainers.com)

**A - Total Height.**  
**B - Labeling Area**