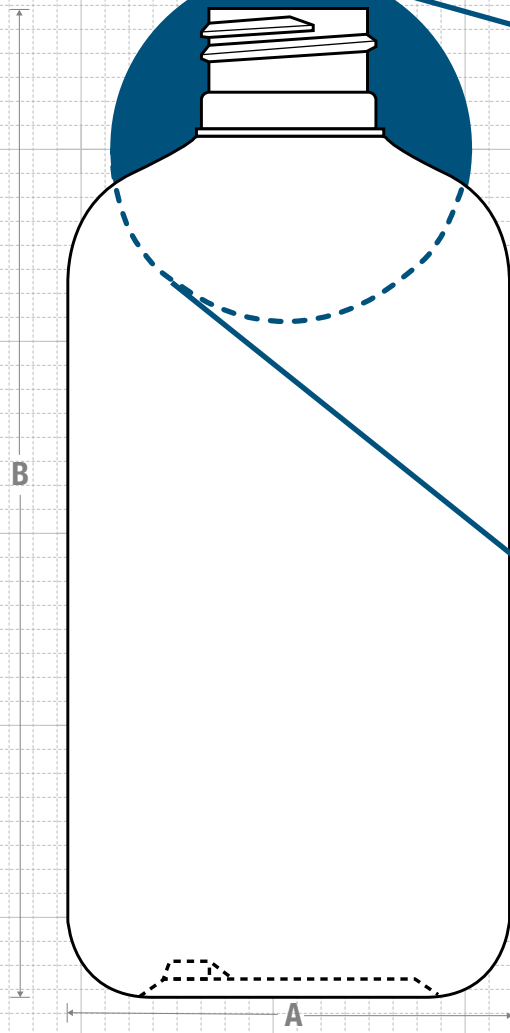
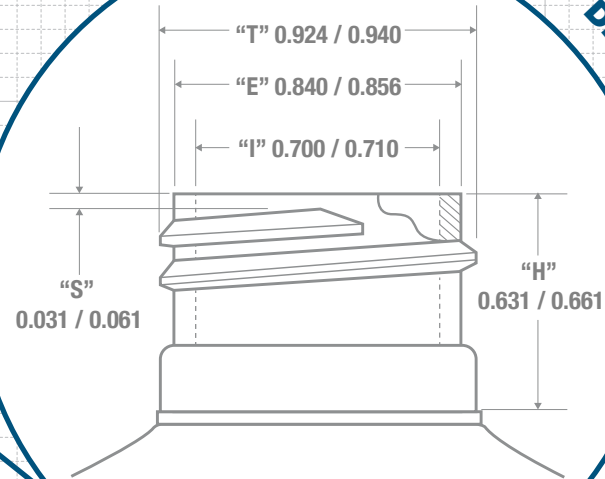




FRONT VIEW



NECK & THREAD DETAIL



Drawing:
8 oz Boston Round 24/410

Stock Code:
000800060240000

Manufacturing Process:
Extrusion Blow Molding

Overflow Capacity:
266 - 283 ml (9.0 - 9.6 oz)

Gram Weight:
21.5 ± 2

Neck Finish:
24/410

Base Width (A):
2.315 ± 0.050

Overall Height (B):
5.200 ± 0.050

Max Print Area (Height):
3.063"

Max Print Area (Width):
7.000"

Case Pack: 394

Case Weight (lb): 21.6 ± 1.7

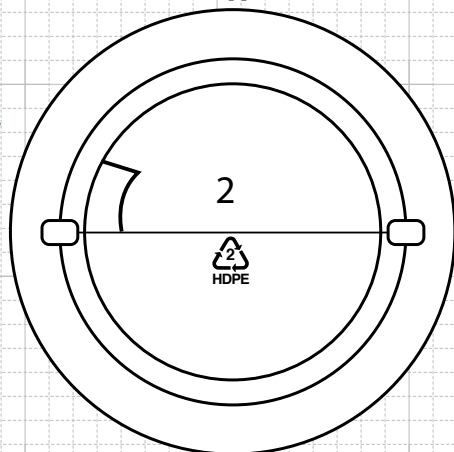
Cases Per Pallet: 16

Box Dimensions:
24 7/16 x 18 1/2 x 23

Stock Material:



BOTTOM VIEW



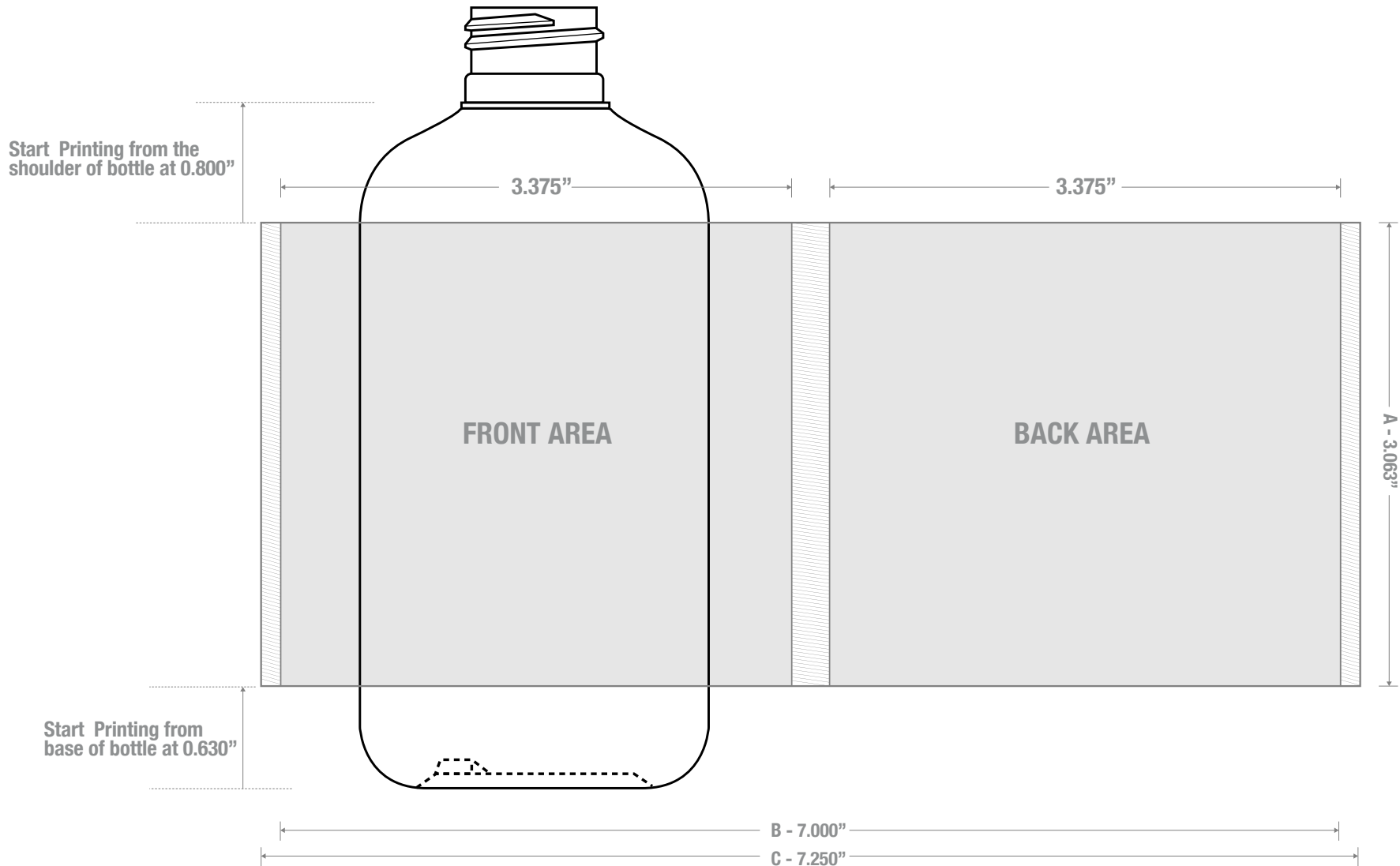
Recommended Plugs for this bottle



FRICITION FIT

CLASSIC CONTAINERS INC
1700 S. Hellman Ave.
Ontario, CA 91761
Phone: 909-930-3610
e-mail: info@classiccontainers.com
www.classiccontainers.com

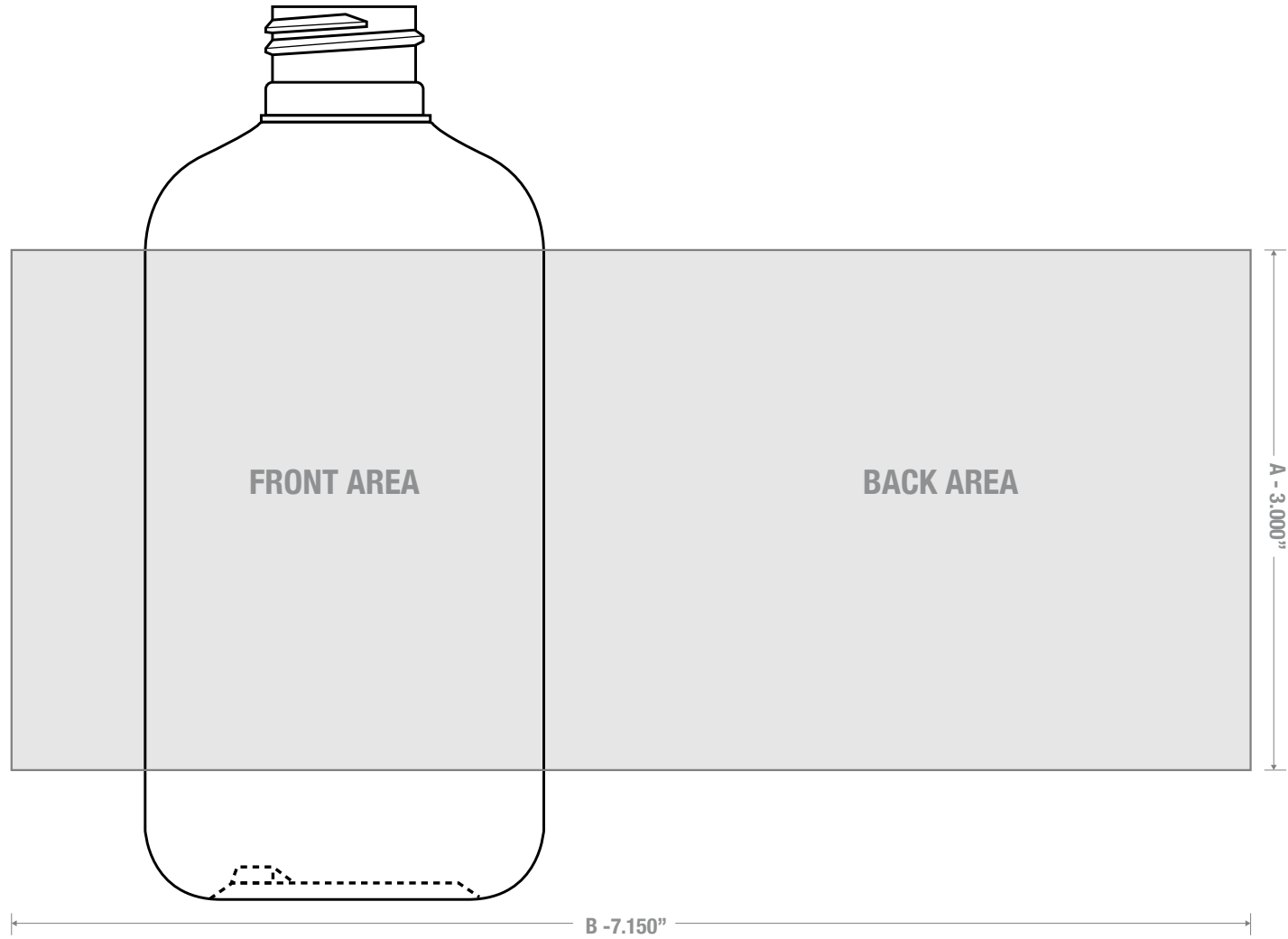
PRINTING SPECIFICATIONS: 8 oz BOSTON ROUND



1700 S Hellman Ave, Ontario, California 91761
Phone: (909) 930-3610 | Fax: (909) 930-3640
e-mail: info@classiccontainers.com
www.classiccontainers.com

A - Total Height.
B - Max. Decorating Area.
C - Total bottle circumference.
▨ - Unprintable area.

LABELING SPECIFICATIONS: 8 oz BOSTON ROUND



1700 S Hellman Ave, Ontario, California 91761
Phone: (909) 930-3610 | Fax: (909) 930-3640
e-mail: info@classiccontainers.com
www.classiccontainers.com

A - Total Height.
B - Max. Decorating Area.