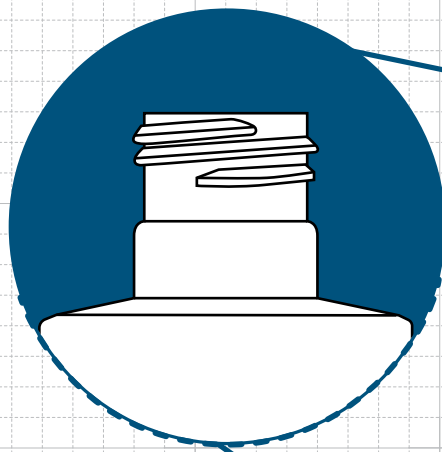
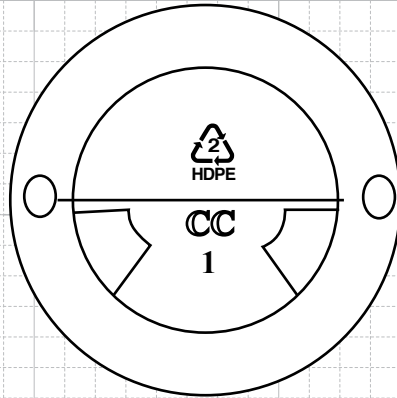
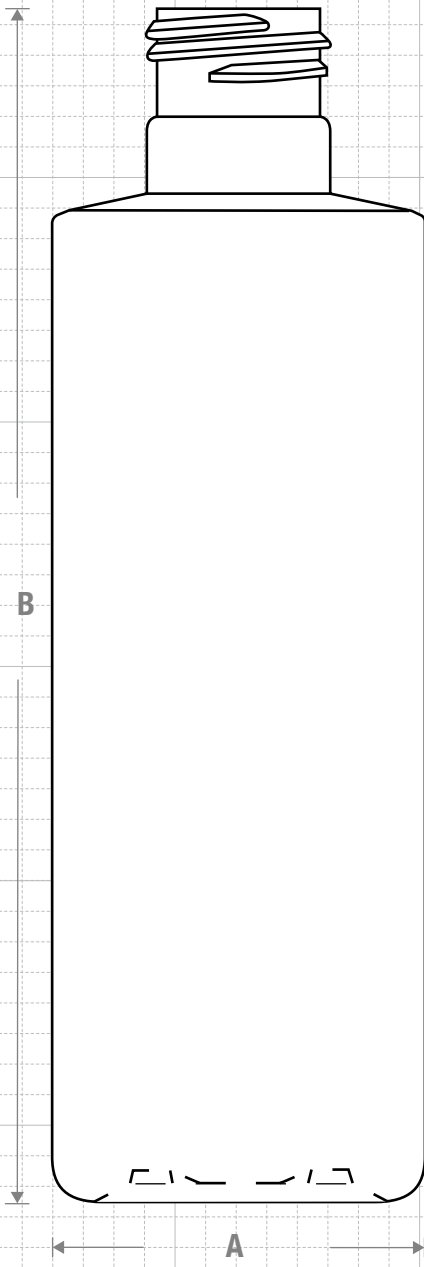
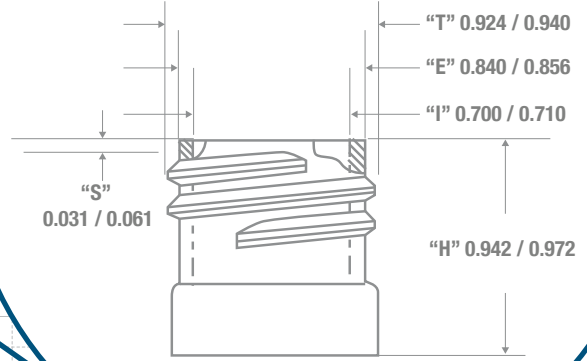




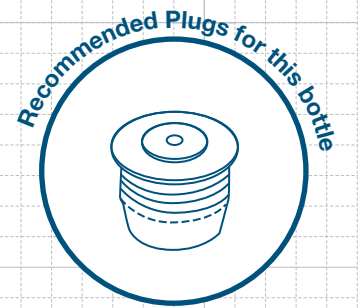
FRONT VIEW



NECK & THREAD DETAIL



BOTTOM VIEW



FRICTION FIT



CLASSIC CONTAINERS INC
1700 S. Hellman Ave.
Ontario, CA 91761
Phone: 909-930-3610
e-mail: info@classiccontainers.com
www.classiccontainers.com

Drawing:
8 oz Sleek Cylinder 24/415

Gram Weight:
22.0 ± 2

Max Print Area (Height):
4.375"

Cases Per Pallet: **16**

Stock Code:
000800490250000

Neck Finish:
24/415

Max Print Area (Width):
6.063"

Box Dimensions:
24 7/16 x 18 1/2 x 23

Manufacturing Process:
Extrusion Blow Molding

Base Width (A):
1.985± 0.05

Case Pack: **426**

Stock Material:



Overflow Capacity:
242- 260 ml (8.2 - 8.8oz)

Overall Height (B):
6.250 ± 0.05

Case Weight (lb): **23.6 ± 1.9**

Rev #3 06/2016

Drawing not exactly to size.

