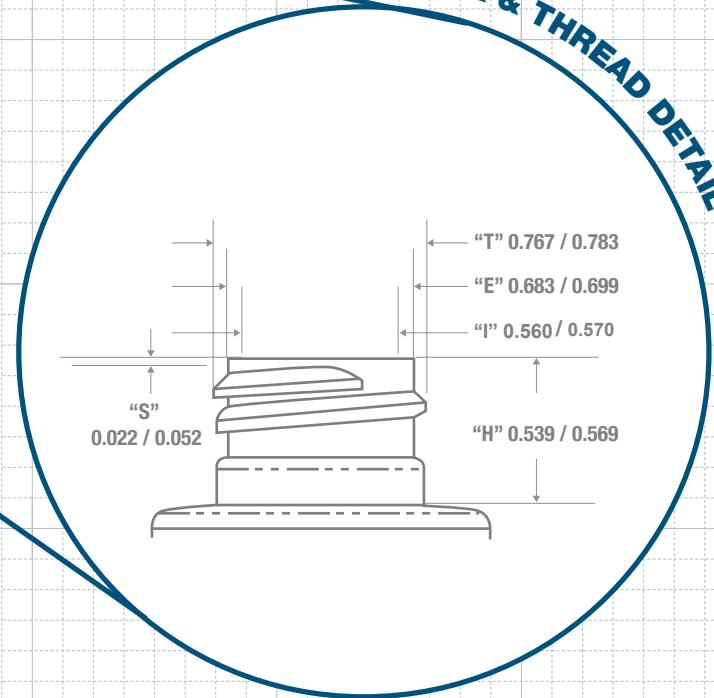
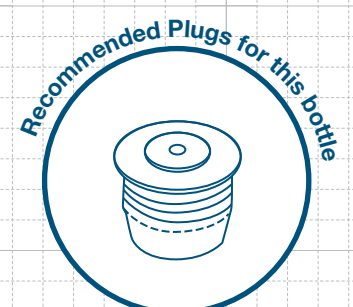
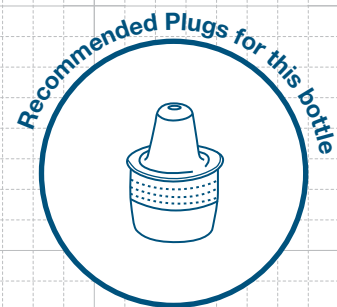
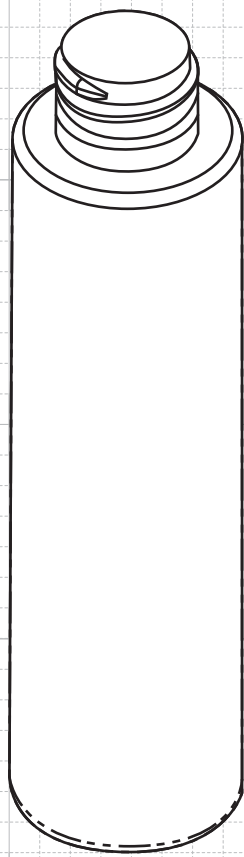
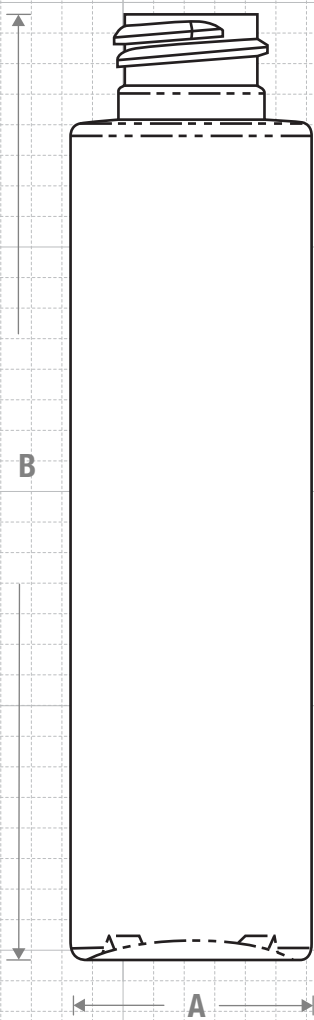


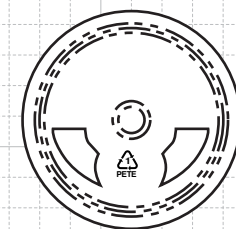
NECK & THREAD DETAIL



FRONT VIEW



FRICTION FIT



BOTTOM VIEW



CLASSIC CONTAINERS INC
 1700 S. Hellman Ave.
 Ontario, CA 91761
 Phone: 909-930-3610
 e-mail: info@classiccontainers.com
 www.classiccontainers.com

Drawing: 75 ml Cylinder Round 20/410	Gram Weight: 13 ± 1	Max Print Area (Height): 3.695"	Cases Per Pallet: 25
Stock Code: 00750000201700	Neck Finish: 20/410	Max Print Area (Width): 3.690"	Box Dimensions: 23 5/8 x15 9/16 x17
Manufacturing Process: Stretch Blow Molding	Base Width (A): 1.250± 0.050	Case Pack: 810	Stock Material:
Overflow Capacity: 79.7- 85.6 ml (2.7- 2.9 oz)	Overall Height (B): 4.925 ± 0.050	Case Weight (lb): 25.3 ± 1.8	Rev #1 05/2016 Drawing not exactly to size.

