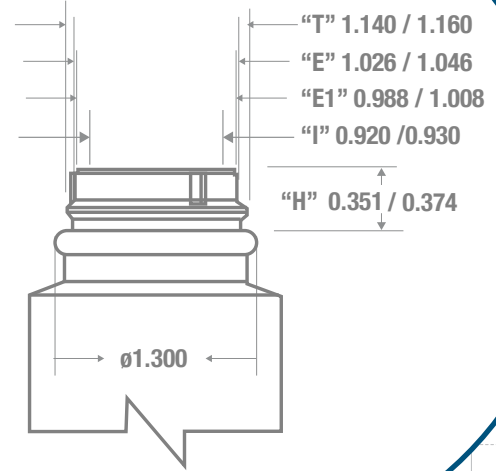
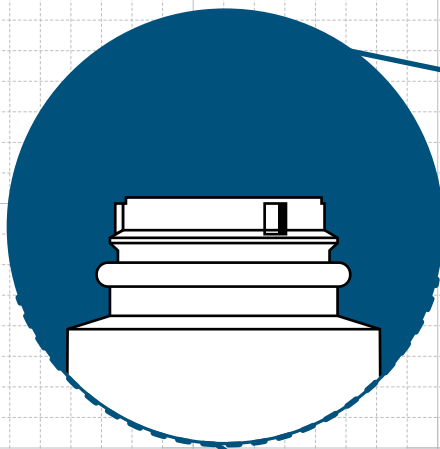
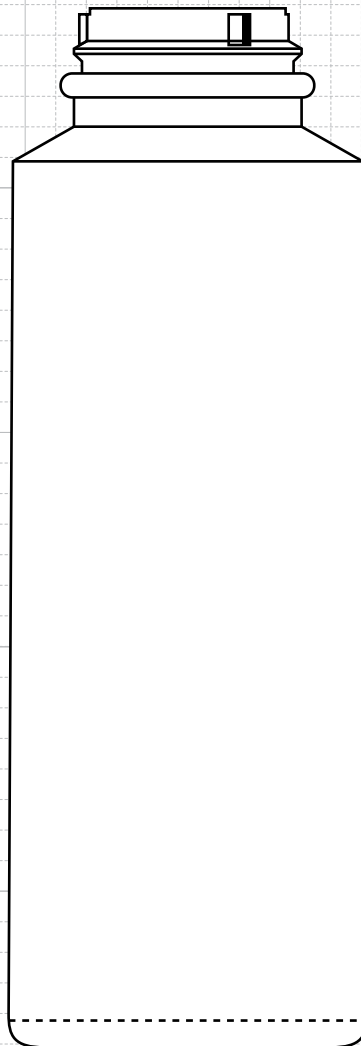
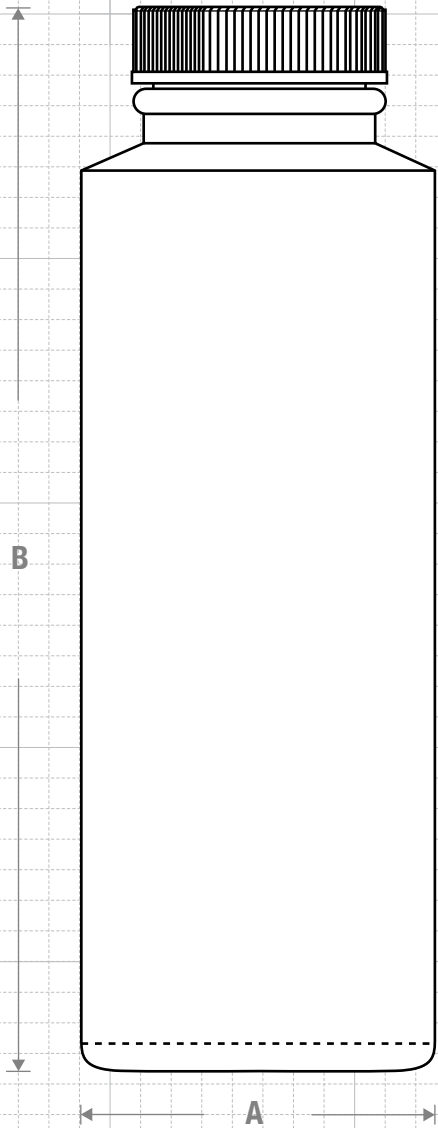




NECK & THREAD DETAIL

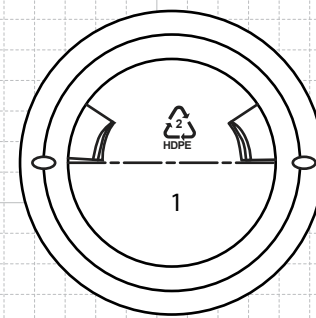
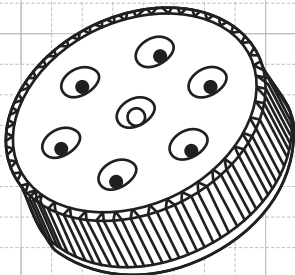


FRONT VIEW



33 mm SIFTER CLOSURE

OWENS-BROCKWAY
(closure 33-P-702)



BOTTOM VIEW



CLASSIC CONTAINERS INC
 1700 S. Hellman Ave.
 Ontario, CA 91761
 Phone: 909-930-3610
 e-mail: info@classiccontainers.com
 www.classiccontainers.com

Drawing:
**6 oz Cylinder Round 33 mm
 (powder)**

Stock Code:
000600010330000

Manufacturing Process:
Extrusion Blow Molding

Overflow Capacity:
195 - 206 ml (6.6 - 7.0 oz)

Gram Weight:
17.0 ± 2 grs

Neck Finish:
33 mm

Base Width (A):
1.860 ± 0.050

Overall Height (B):
5.469 ± 0.050

Max Print Area (Height):
4.187"

Max Print Area (Width):
5.562"

Case Pack: **552**

Case Weight (lb): **23.6 ± 2.4**

Cases Per Pallet: **16**

Box Dimensions:
24 7/16 x 18 1/2 x 23

Stock Material:

Rev #5 - 08/2021 Drawing not exactly to size.

